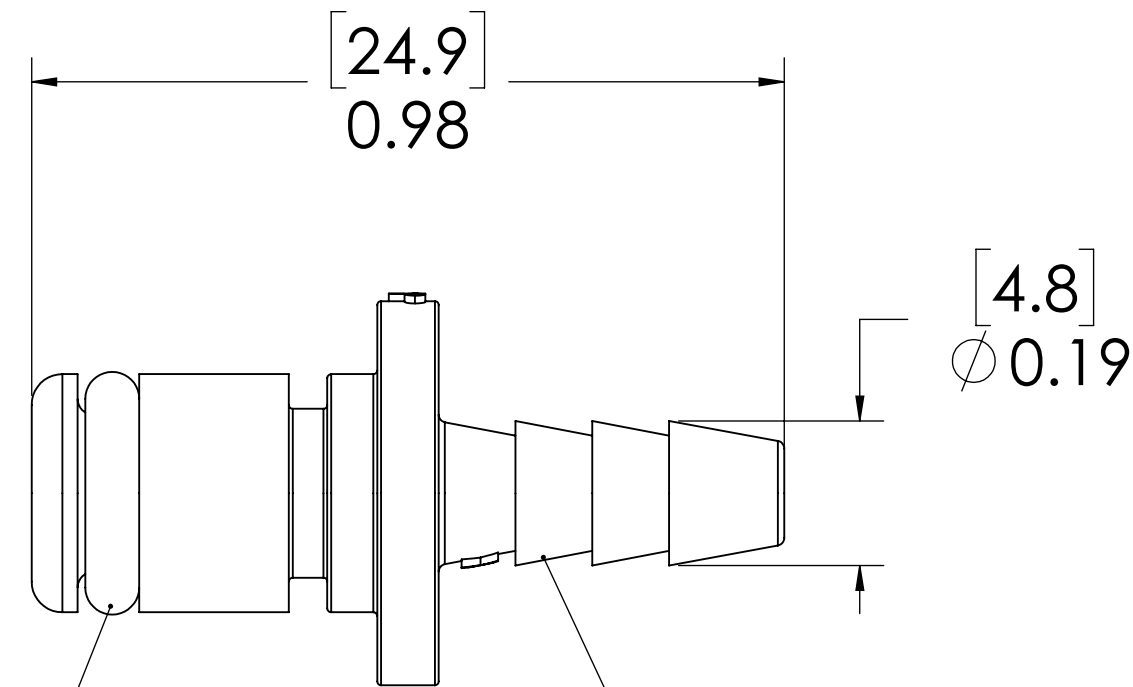
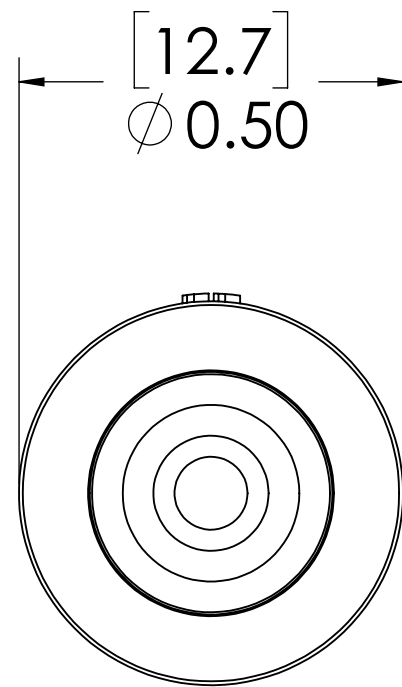
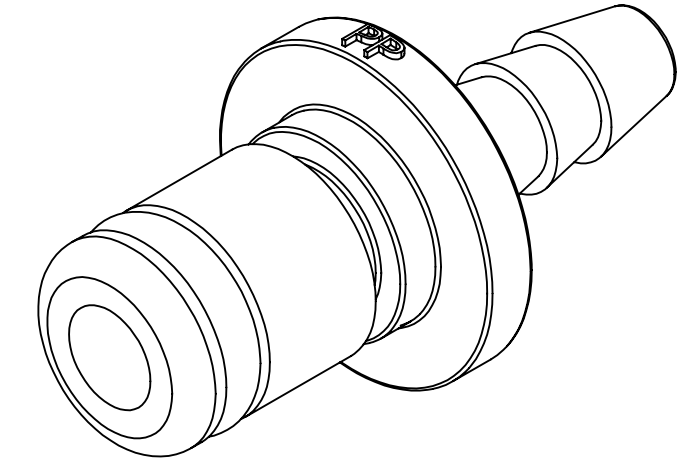


REVISIONS						
SHEET	ZONE	REV.	ECO	DESCRIPTION	DATE	APPROVED
1	ALL	A	50253	2017 FORMAT UPDATE	1/25/2019	HRC



O-RING (EPDM)

1/8" TUBE ID

NOTES:

1. MATERIAL: POLYPROPYLENE
2. COLOR: GREY
3. O-RING MATERIAL: EPDM
4. O-RINGS LUBRICATED WITH FOOD GRADE SILICONE OIL, 350 CST.

FOR REFERENCE ONLY

<small>UNLESS OTHERWISE SPECIFIED: DIMENSIONS ARE IN INCHES TOLERANCES: FRACTIONAL ± 1/32 ANGULAR: MACH ± 0.5 BEND ± 2 ONE PLACE DECIMAL ± 0.1 TWO PLACE DECIMAL ± 0.01 THREE PLACE DECIMAL ± 0.005 TWO PLACE DUAL (mm) [± 0.12]</small>	DRAWN	RDA	1/8/2019							
	CHECKED	HRC	1/8/2019							
	ENG APPR.	HRC	1/25/19							
	MFG APPR.	BDB	1/25/19							
PRODUCTION	LS	1/25/19		PART NO: 20PP-PE2-02 DESCRIPTION: LinkTech 20PP Series Straight Male, Non-valved, 125 HB, Molded Grey Color, Polypropylene						
<small>PROPRIETARY AND CONFIDENTIAL THE INFORMATION CONTAINED IN THIS DRAWING IS THE SOLE PROPERTY OF LINKTECH LLC. ANY REPRODUCTION OR DISCLOSURE IN PART OR AS A WHOLE WITHOUT THE WRITTEN PERMISSION OF LINKTECH LLC IS STRICTLY PROHIBITED.</small>	COMMENTS:			<table border="1"> <tr> <td>SIZE</td> <td>DWG. NO.</td> <td>REV</td> </tr> <tr> <td>C</td> <td>20PP200091</td> <td>A</td> </tr> </table>	SIZE	DWG. NO.	REV	C	20PP200091	A
SIZE	DWG. NO.	REV								
C	20PP200091	A								
SCALE: NTS		WEIGHT:	SHEET 1 OF 1							