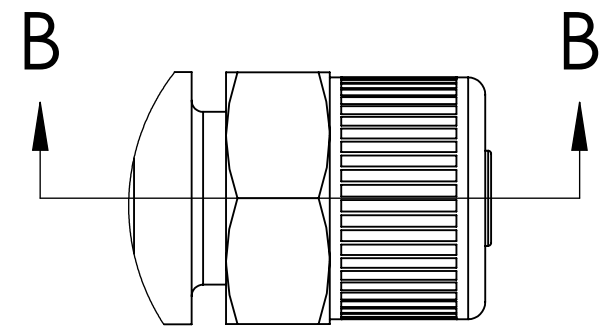
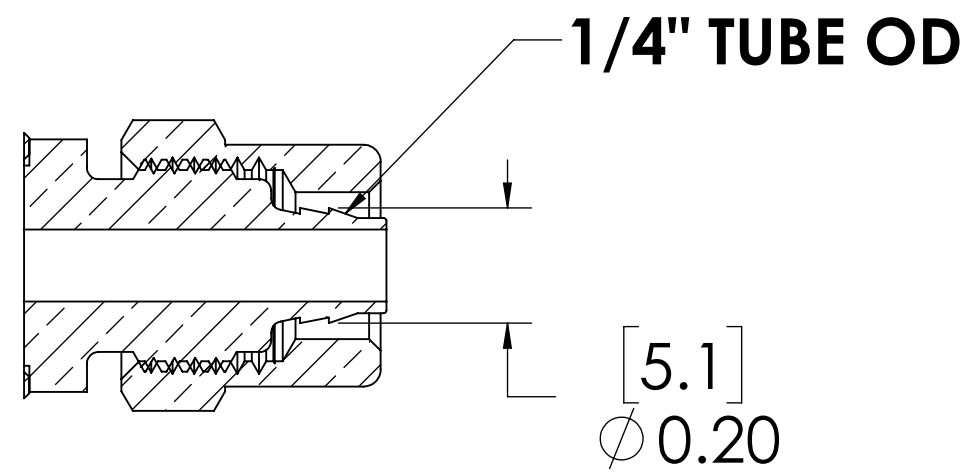


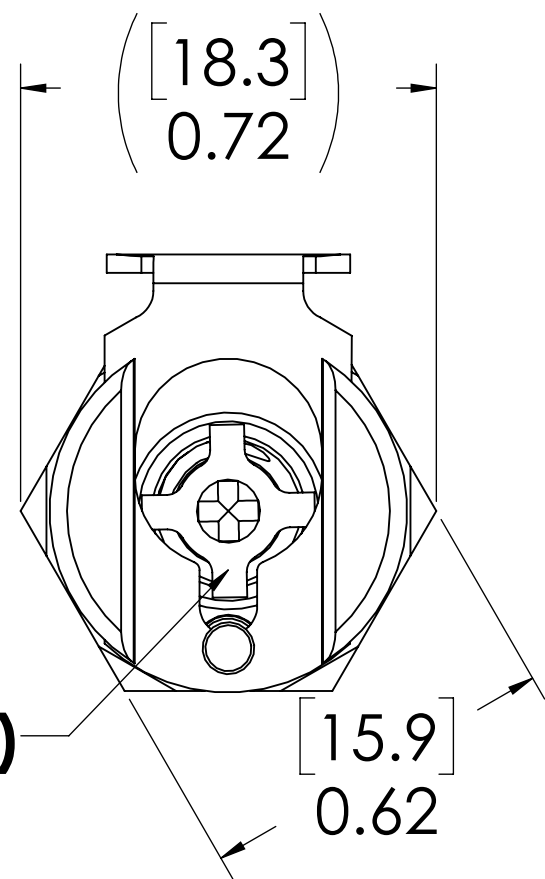
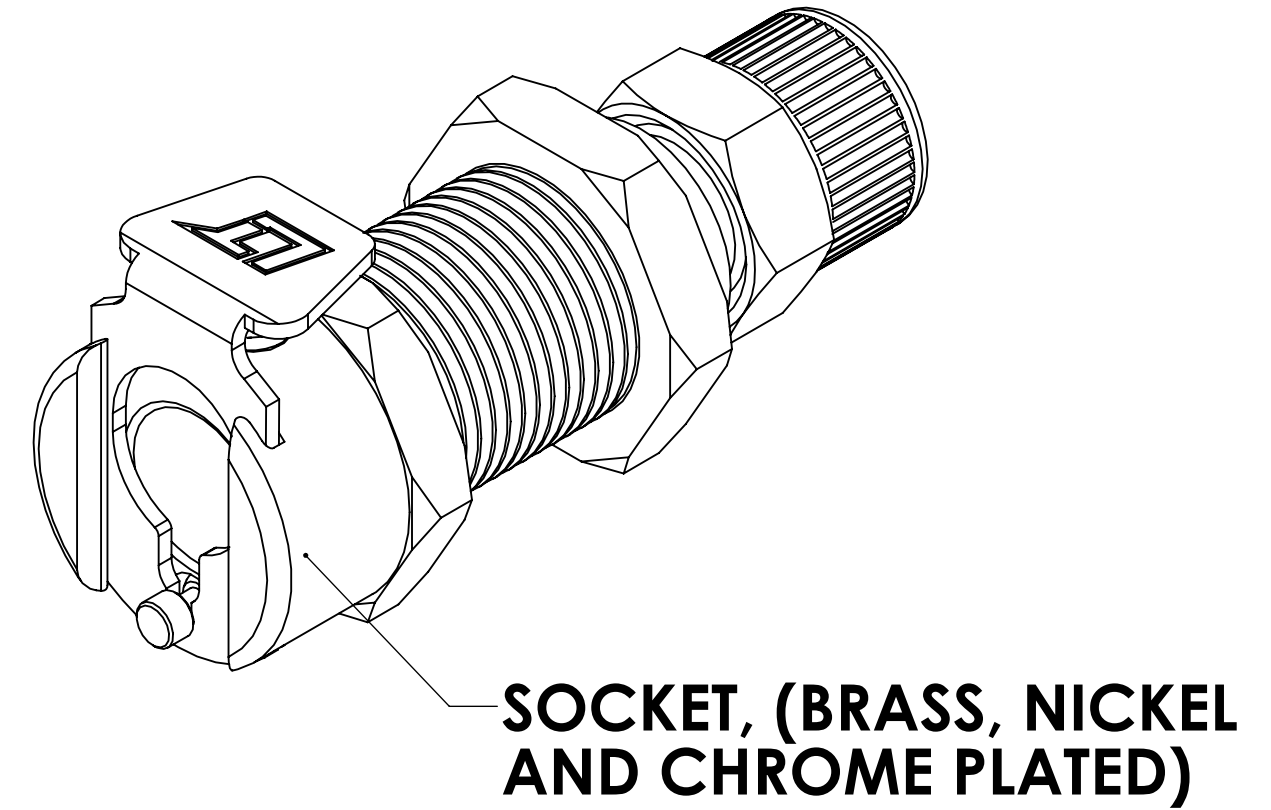
REVISIONS						
SHEET	ZONE	REV.	ECO	DESCRIPTION	DATE	APPROVED
1	ALL	A	50242	PIN, PIN SPRING & 2017 FORMAT UPDATE	6/28/2018	HRC



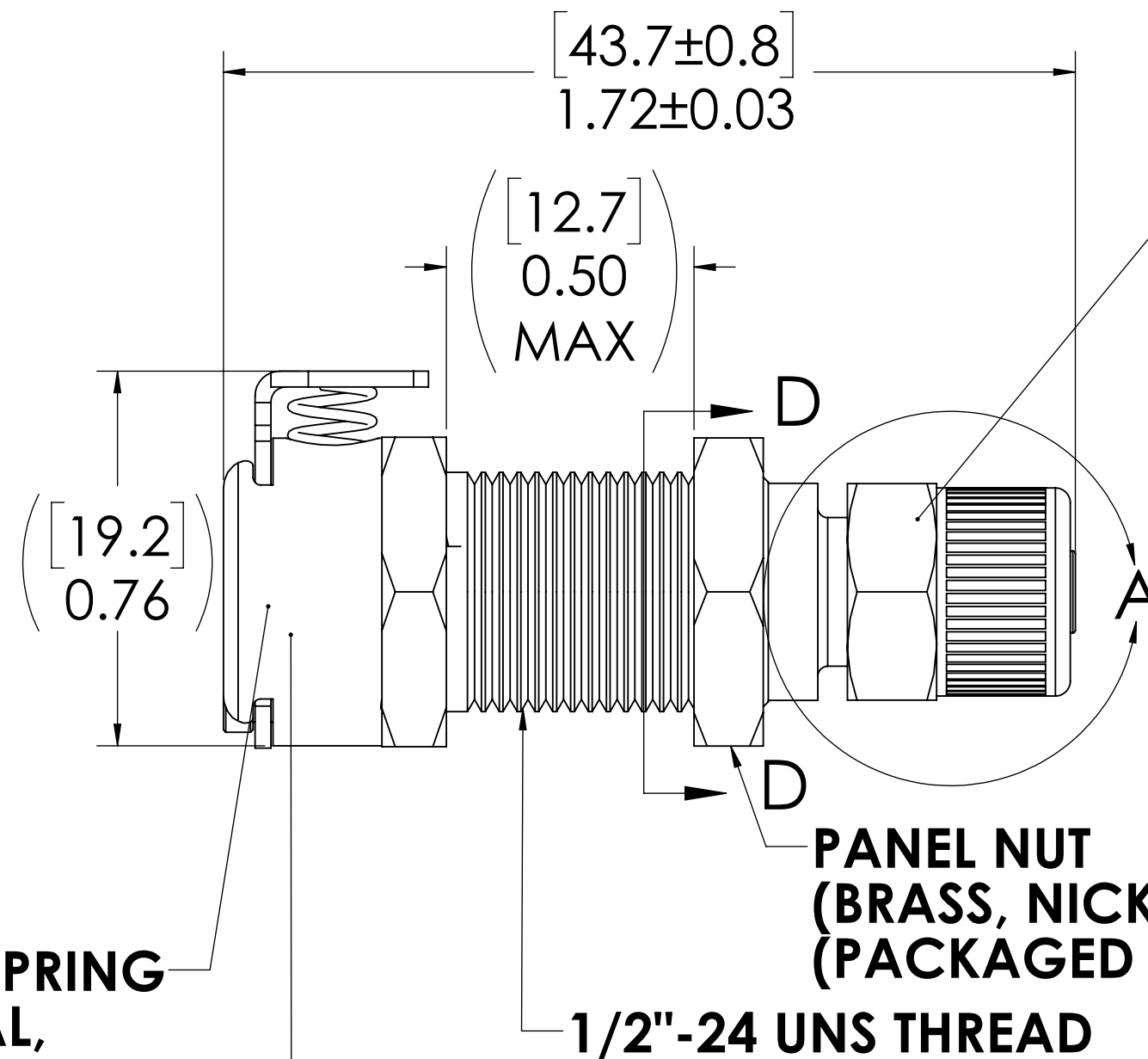
**DETAIL A**



**SECTION B-B**



**VALVE (ACETAL)**



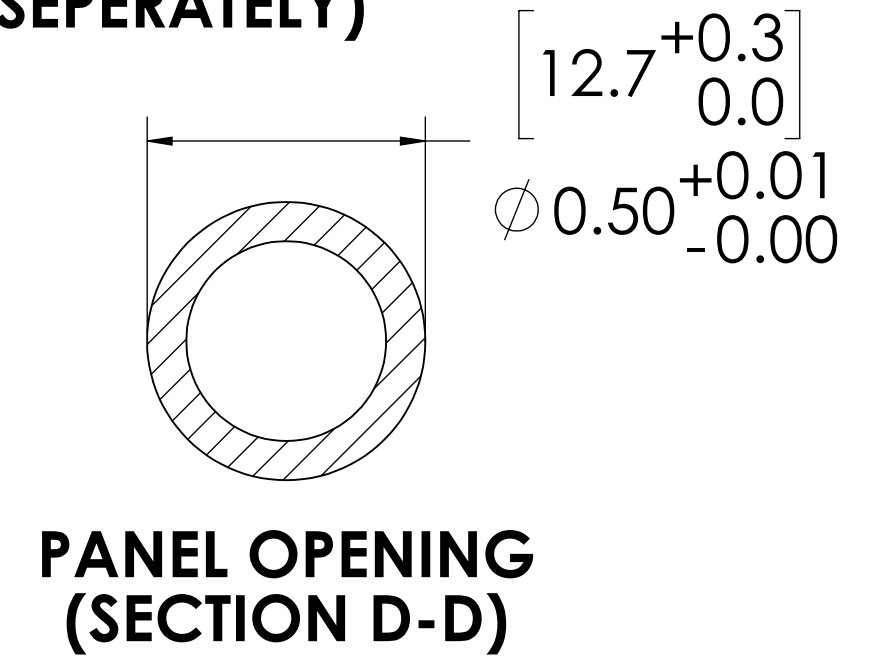
**VALVE SPRING INTERNAL, (STAINLESS STEEL)**

**VALVE O-RING INTERNAL, (BUNA-N)**

**PTF NUT (BRASS, NICKEL PLATED) (PACKAGED SEPERATELY)**

**PANEL NUT (BRASS, NICKEL PLATED) (PACKAGED SEPERATELY)**

**1/2\"-24 UNS THREAD**



**PANEL OPENING (SECTION D-D)**

**NOTES:**

1. MATERIAL: BRASS
2. FINISH: CHROME
3. O-RING MATERIAL: BUNA-N
4. O-RINGS LUBRICATED WITH FOOD GRADE SILICONE OIL, 350 CST.

**FOR REFERENCE ONLY**

<small>UNLESS OTHERWISE SPECIFIED: DIMENSIONS ARE IN INCHES TOLERANCES: FRACTIONAL ±1/32 ANGULAR: MACH ±0.5 BEND ±2 ONE PLACE DECIMAL ±0.1 TWO PLACE DECIMAL ±0.01 THREE PLACE DECIMAL ±0.005 TWO PLACE DUAL (mm) [±0.12]</small>	DRAWN	CBH	7/12/2017	
	CHECKED	HRC	8/1/17	
	ENG APPR.	HRC	6/28/18	
	MFG APPR.	BDB	6/28/18	
PRODUCTION	LS	6/28/18	COMMENTS:	<b>PART NO: 20CBV-SB8-04</b> <b>DESCRIPTION:</b> LinkTech 20CB Series Panel Mt. Female, Valved, 1/4" PTF, Chrome Brass
<small>THE INFORMATION CONTAINED IN THIS DRAWING IS THE SOLE PROPERTY OF LINKTECH LLC. ANY REPRODUCTION OR DISCLOSURE IN PART OR AS A WHOLE WITHOUT THE WRITTEN PERMISSION OF LINKTECH LLC IS STRICTLY PROHIBITED.</small>		SIZE DWG. NO. REV <b>C 20CB200018 A</b>	SCALE: NTS WEIGHT: SHEET 1 OF 1	