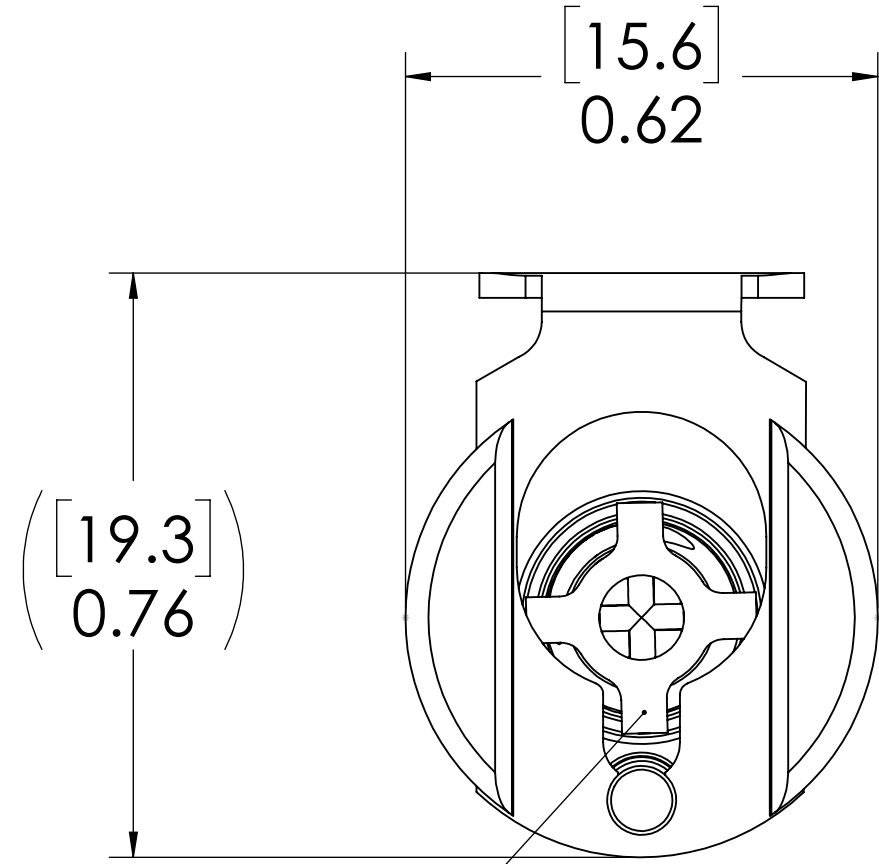
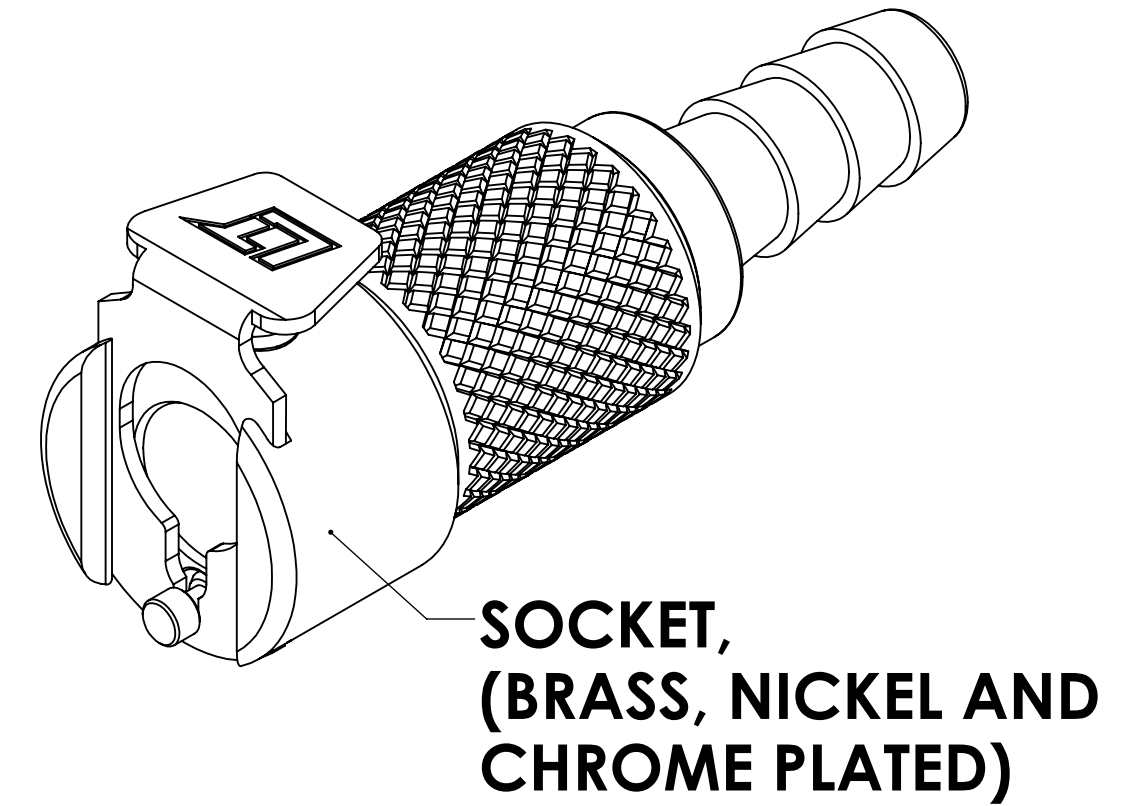


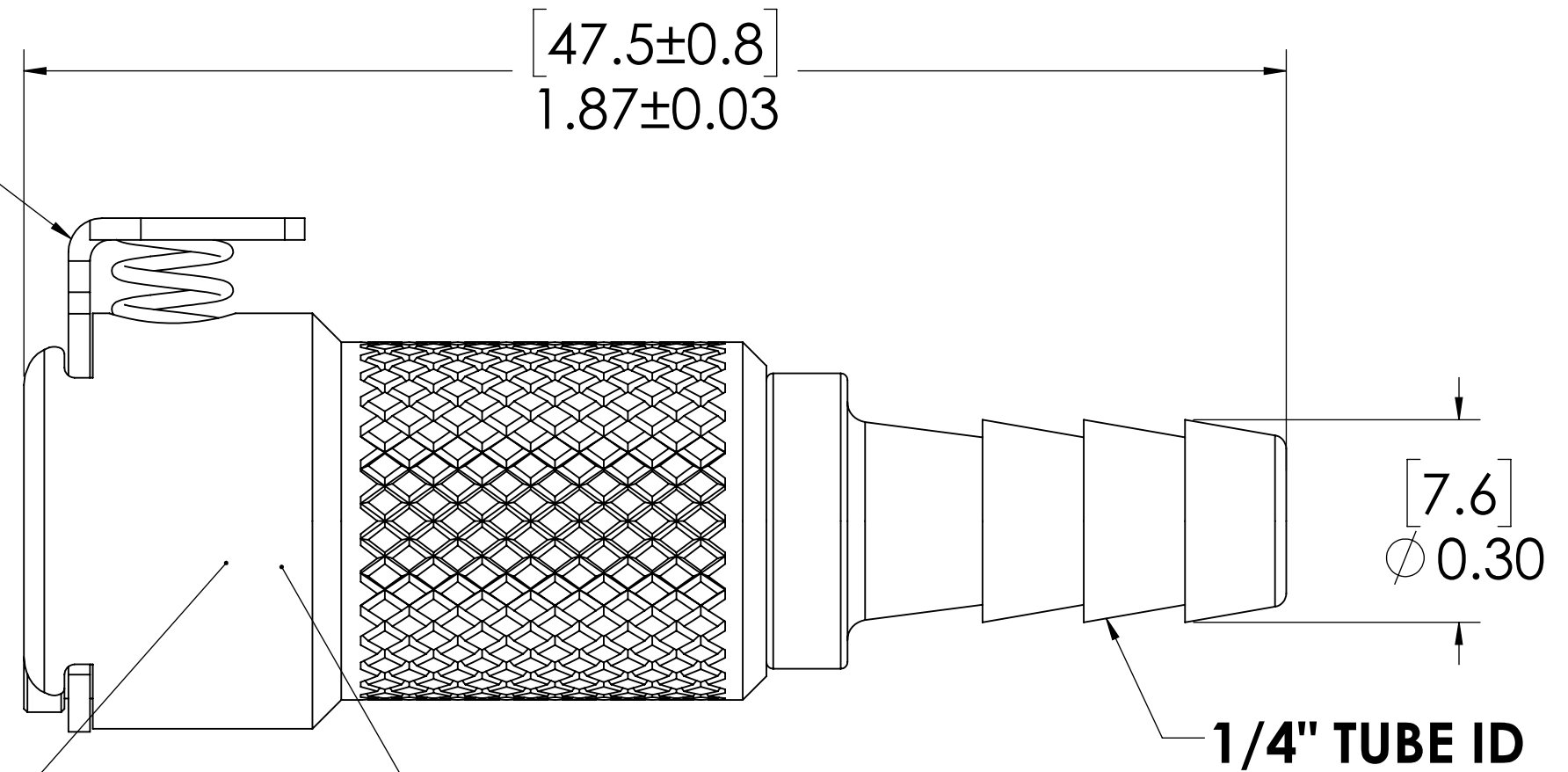
REVISIONS						
SHEET	ZONE	REV.	ECO	DESCRIPTION	DATE	APPROVED
1	ALL	A	50242	PIN, PIN SPRING & FORMAT UPDATE	4/25/2018	HRC



**VALVE
(ACETAL)**

**LATCH
HARDWARE
(STAINLESS
STEEL)**

**VALVE SPRING
INTERNAL
(STAINLESS
STEEL)**



**VALVE O-RING
INTERNAL
(BUNA-N)**

1/4" TUBE ID

NOTES:

- MATERIAL: BRASS
- FINISH: CHROME
- O-RING MATERIAL: BUNA-N
- O-RINGS LUBRICATED WITH FOOD GRADE SILICONE OIL, 350 CST.

FOR REFERENCE ONLY

<small>UNLESS OTHERWISE SPECIFIED: DIMENSIONS ARE IN INCHES TOLERANCES: FRACTIONAL ±1/32 ANGULAR: MACH ±0.5 BEND ±2 ONE PLACE DECIMAL ±0.1 TWO PLACE DECIMAL ±0.01 THREE PLACE DECIMAL ±0.005 TWO PLACE DUAL (mm) [±0.12]</small>	DRAWN	CBH	8/9/2017	
	CHECKED	HRC	8/9/17	
	ENG APPR.	HRC	4/25/18	
	MFG APPR.	BDB	4/25/18	
<small>PROPRIETARY AND CONFIDENTIAL THE INFORMATION CONTAINED IN THIS DRAWING IS THE SOLE PROPERTY OF LINKTECH LLC. ANY REPRODUCTION OR DISCLOSURE IN PART OR AS A WHOLE WITHOUT THE WRITTEN PERMISSION OF LINKTECH LLC IS STRICTLY PROHIBITED.</small>	PURCHASING	RK	4/25/18	PART NO: 20CBV-SB2-04 DESCRIPTION: LinkTech 20CB Series Straight Female, Valved, 1/4" HB, Chrome Brass
SIZE DWG. NO. REV C 20CB200159 A		SCALE: NTS WEIGHT:		SHEET 1 OF 1