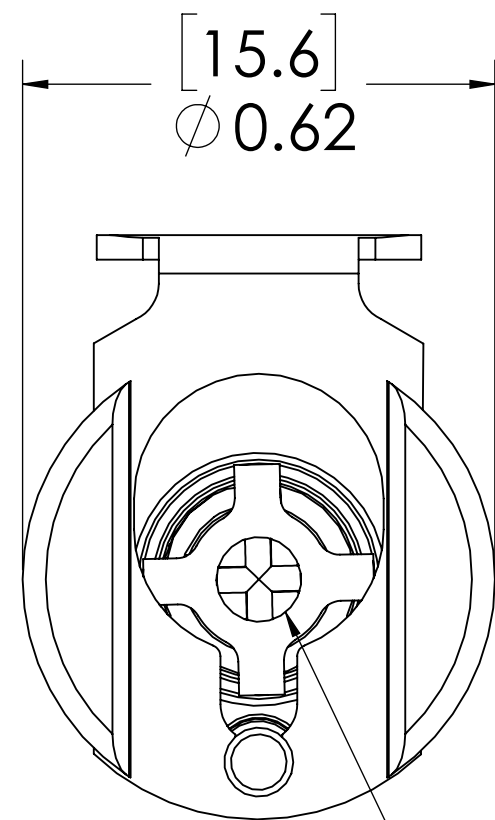
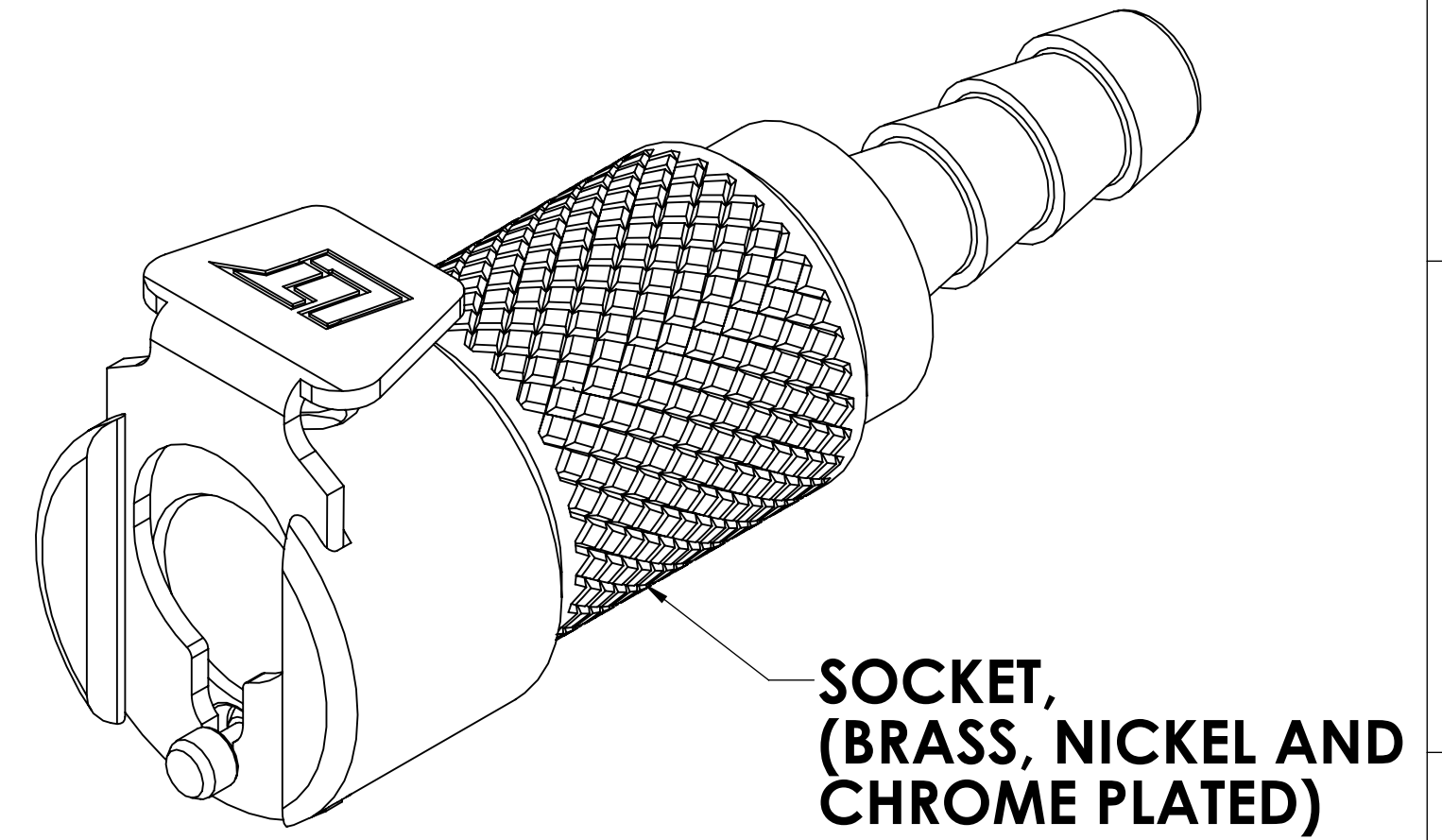
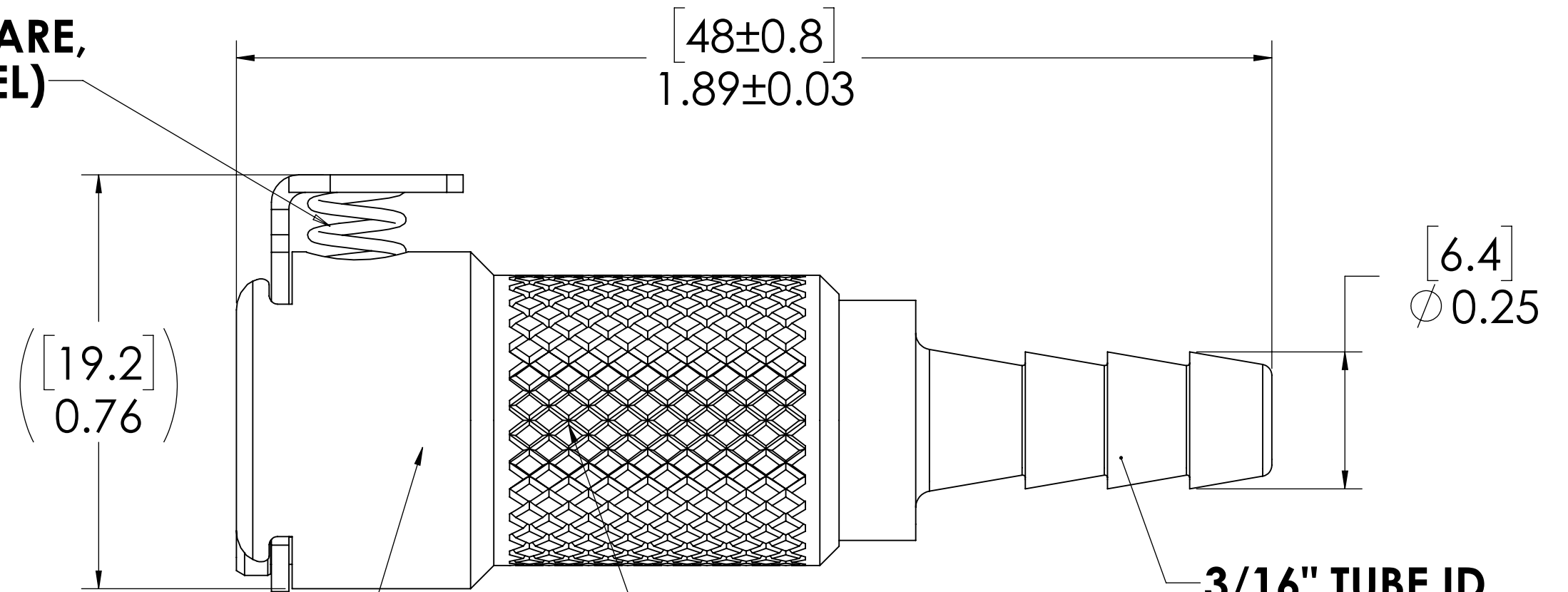


REVISIONS						
SHEET	ZONE	REV.	ECO	DESCRIPTION	DATE	APPROVED
1	ALL	A	50242	UPDATE TO CURRENT FORMAT & STANDARDS	7/18/2018	HRC



**VALVE,
(ACETAL)**

**LATCH HARDWARE,
(STAINLESS STEEL)**



**VALVE SPRING,
INTERNAL
(STAINLESS STEEL)**

**VALVE O-RING,
INTERNAL
(BUNA-N)**

NOTES:

1. MATERIAL: BRASS
2. FINISH: CHROME
3. O-RING MATERIAL: BUNA-N
4. O-RINGS LUBRICATED WITH FOOD GRADE SILICONE OIL, 350 CST.

FOR REFERENCE ONLY

UNLESS OTHERWISE SPECIFIED:		NAME	DATE	
DIMENSIONS ARE IN INCHES TOLERANCES: FRACTIONAL ± 1/32 ANGULAR: MACH ± 0.5 BEND ± 2 ONE PLACE DECIMAL ± 0.1 TWO PLACE DECIMAL ± 0.01 THREE PLACE DECIMAL ± 0.005 TWO PLACE DUAL (mm) [± 0.12]		DRAWN	DHJ 9/15/09	
PROPRIETARY AND CONFIDENTIAL THE INFORMATION CONTAINED IN THIS DRAWING IS THE SOLE PROPERTY OF LINKTECH LLC. ANY REPRODUCTION OR DISCLOSURE IN PART OR AS A WHOLE WITHOUT THE WRITTEN PERMISSION OF LINKTECH LLC IS STRICTLY PROHIBITED.		CHECKED	DHJ 9/15/09	
		ENG APPR.	HRC 7/18/18	
		MFG APPR.	BDB 7/18/18	
		PRODUCTION	LS 7/18/18	DESCRIPTION: LinkTech 20CB Series Straight Female, Valved, 3/16" HB, Chrome Brass
		COMMENTS:		SIZE DWG. NO. REV C 20CB200048 A
				SCALE: NTS WEIGHT: SHEET 1 OF 1