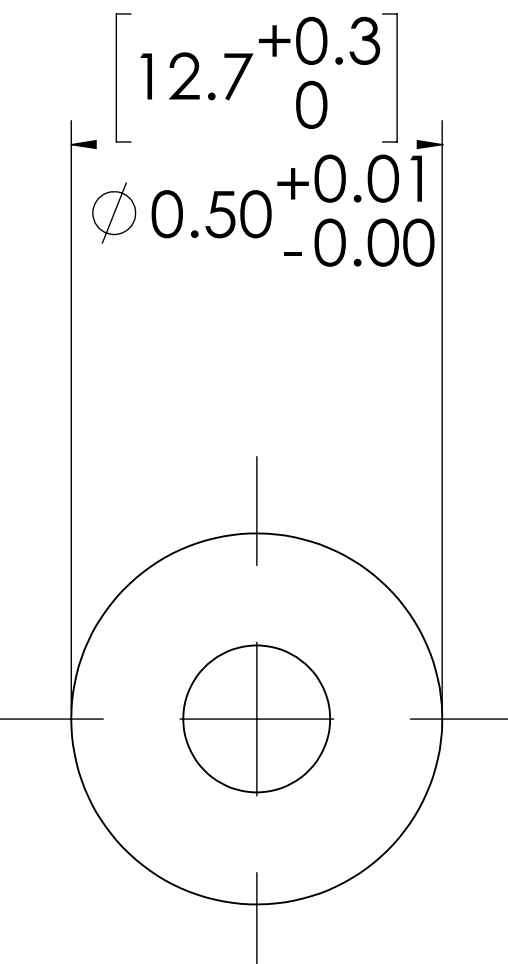
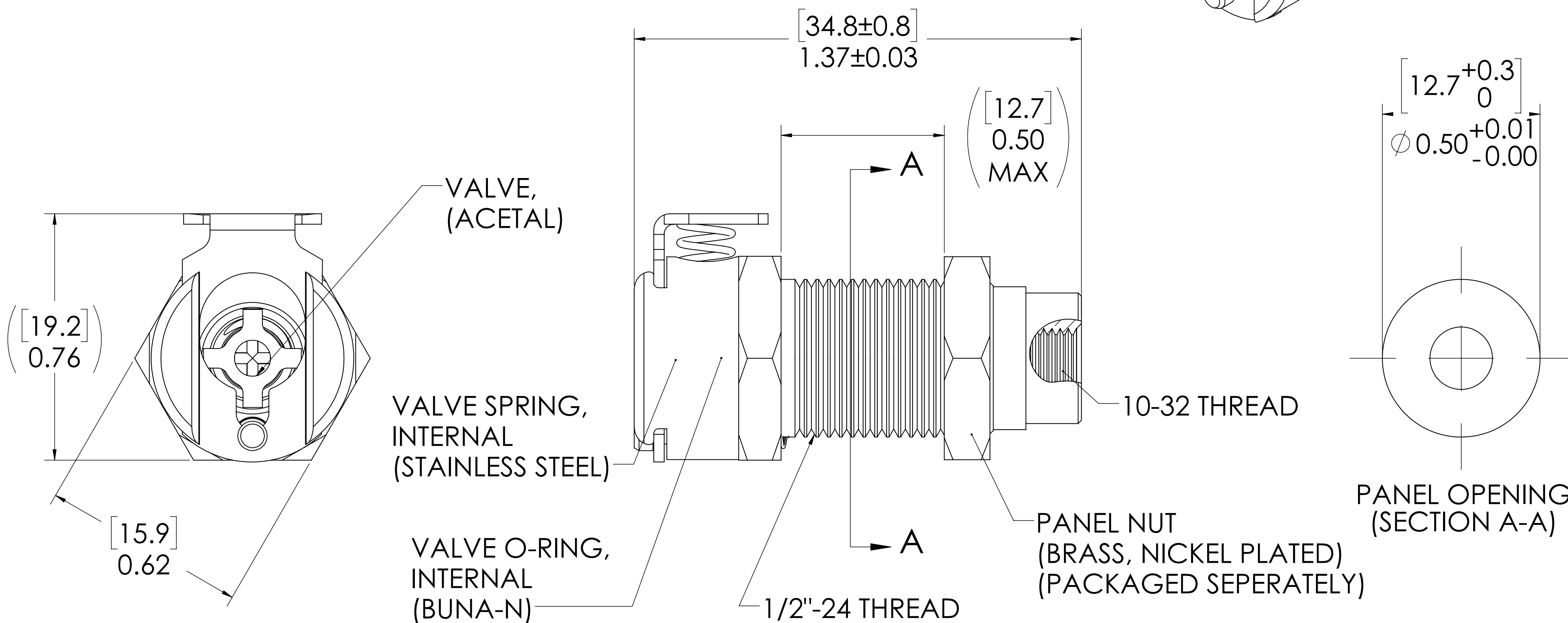
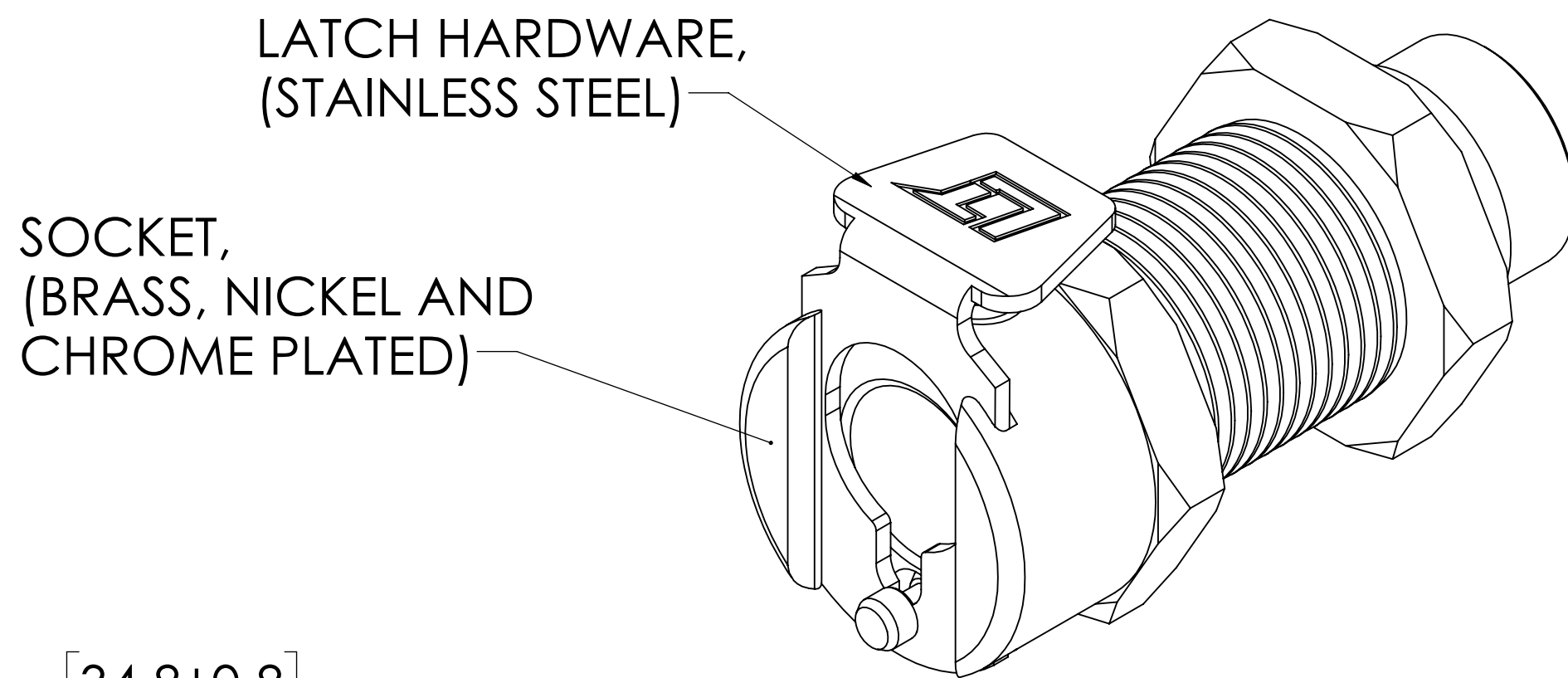


| REVISIONS |      |      |       |                 |           |          |
|-----------|------|------|-------|-----------------|-----------|----------|
| SHEET     | ZONE | REV. | ECO   | DESCRIPTION     | DATE      | APPROVED |
| 1         | ALL  | A    | 50242 | INITIAL RELEASE | 8/18/2017 | HRC      |



- NOTES:**
1. MATERIAL: BRASS
  2. FINISH: CHROME
  3. O-RING MATERIAL: BUNA-N
  4. O-RINGS LUBRICATED WITH FOOD GRADE SILICONE OIL, 350 CST.

**FOR REFERENCE ONLY**

|  |           |     |          |   |
|--|-----------|-----|----------|---|
| <small>UNLESS OTHERWISE SPECIFIED:<br/>DIMENSIONS ARE IN INCHES<br/>TOLERANCES:<br/>FRACTIONAL ± 1/32<br/>ANGULAR: MACH ± 0.5 BEND ± 2<br/>ONE PLACE DECIMAL ± 0.1<br/>TWO PLACE DECIMAL ± 0.01<br/>THREE PLACE DECIMAL ± 0.005<br/>TWO PLACE DUAL (mm) [± 0.12]</small> | DRAWN     | DHJ | 9-16-09  |   |
|  | CHECKED   | HRC | 3/12/12  |   |
|  | ENG APPR. | HRC | 08-18-17 |   |
|  | MFG APPR. | BDB | 08-18-17 |   |
| <small>PROPRIETARY AND CONFIDENTIAL<br/>THE INFORMATION CONTAINED IN THIS DRAWING IS THE SOLE PROPERTY OF LINKTECH LLC. ANY REPRODUCTION OR DISCLOSURE IN PART OR AS A WHOLE WITHOUT THE WRITTEN PERMISSION OF LINKTECH LLC IS STRICTLY PROHIBITED.</small>              | Q.A.      | JJB | 08-18-17 | <b>PART NO:</b> 20CBV-SB19-1032<br><br><b>DESCRIPTION:</b> LinkTech 20CB Series Panel Mt. Female, Female Thread, Valved, 10/32, Chrome Brass<br><br><b>SIZE</b> DWG. NO. <b>REV</b><br><b>C</b> 20CB200049 <b>A</b><br><br><small>SCALE: NTS WEIGHT: SHEET 1 OF 1</small> |