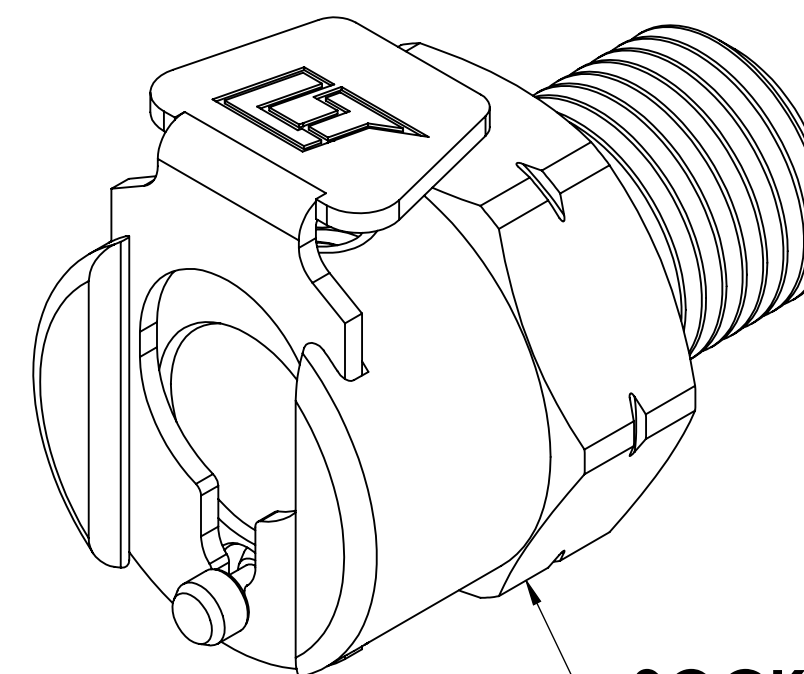
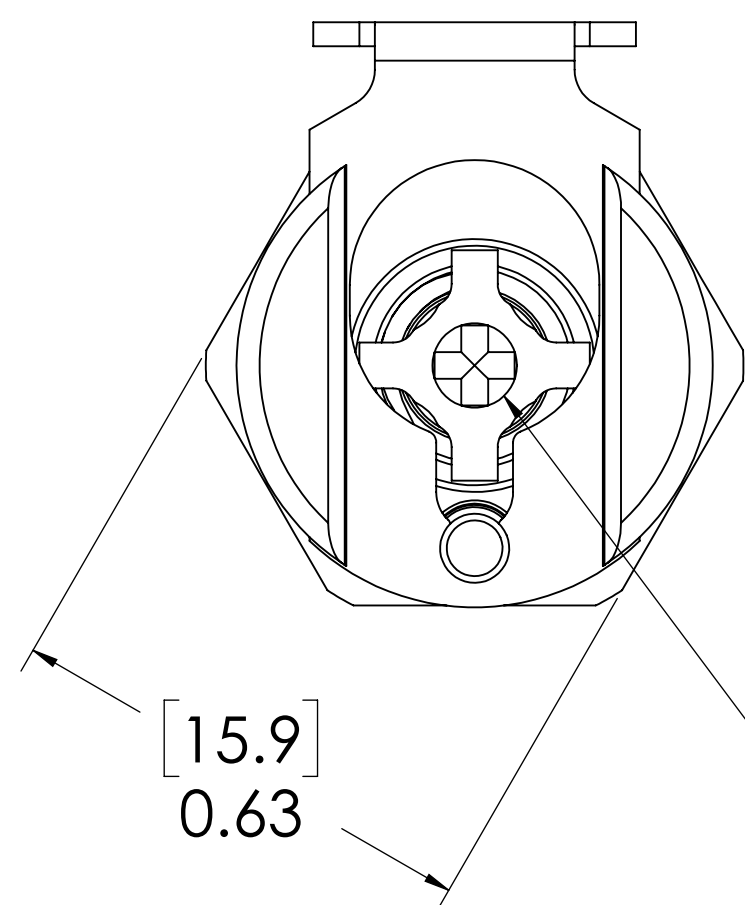


REVISIONS						
SHEET	ZONE	REV.	ECO	DESCRIPTION	DATE	APPROVED
1	ALL	A	50011	INITIAL RELEASE	8-23-12	DHJ
1	ALL	B	50242	PIN, PIN SPRING & 2017 FORMAT UPDATE	10/18/2018	HRC

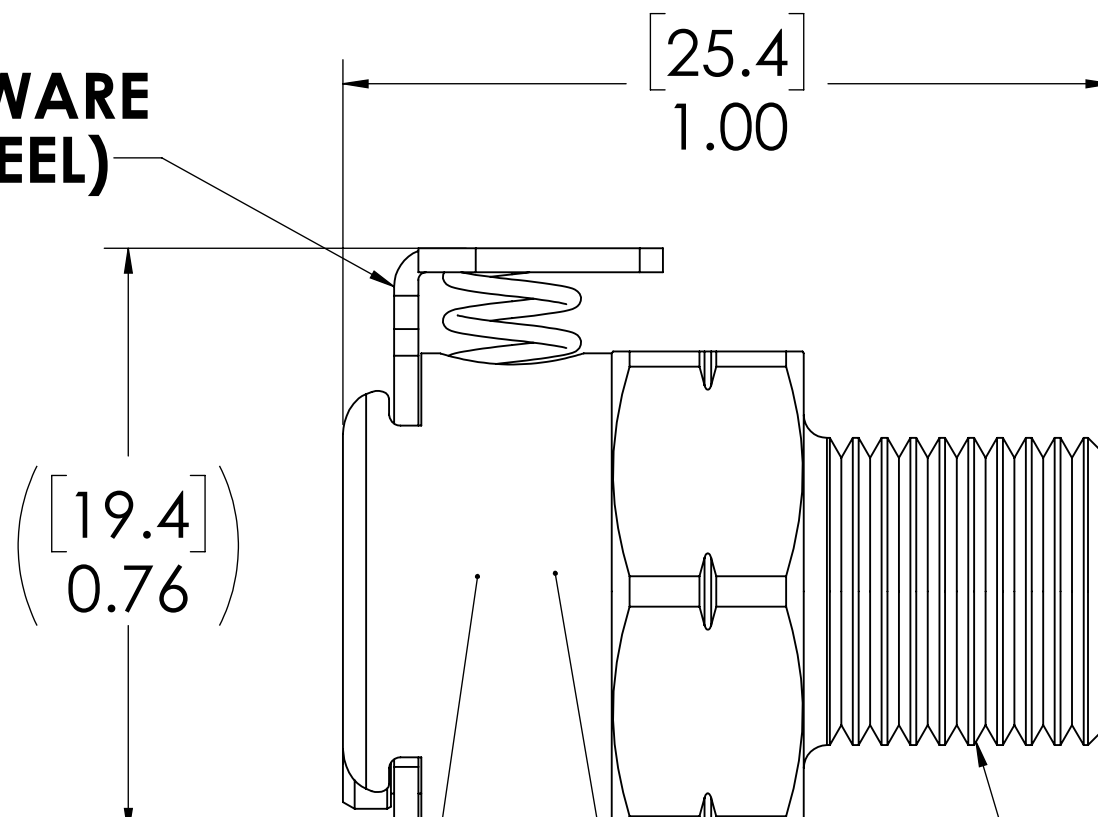


**SOCKET,
(BRASS, NICKEL AND
CHROME PLATED)**



**VALVE,
(ACETAL)**

**LATCH HARDWARE
(STAINLESS STEEL)**



**VALVE SPRING,
INTERNAL
(STAINLESS STEEL)**

**1/8" BSPT
(PIPE THREAD)**

**O-RING
INTERNAL,
(BUNA-N)**

NOTES:

1. MATERIAL: BRASS
2. FINISH: CHROME
3. O-RING MATERIAL: BUNA-N
4. O-RINGS LUBRICATED WITH FOOD GRADE SILICONE OIL, 350 CST.

FOR REFERENCE ONLY

UNLESS OTHERWISE SPECIFIED:		NAME	DATE	
DIMENSIONS ARE IN INCHES		DRAWN	HRC 8/18/12	
TOLERANCES:		CHECKED	HRC 8/18/12	
FRACTIONAL ± 1/32		ENG APPR.	HRC 10/18/18	
ANGULAR: MACH ± 0.5 BEND ± 2		MFG APPR.	BDB 10/18/18	
ONE PLACE DECIMAL ± 0.1		PRODUCTION	LS 10/18/18	DESCRIPTION: LinkTech 20CB Series Male Thread Female, Valved, 1/8" BSPT, Chrome Brass
TWO PLACE DECIMAL ± 0.01		COMMENTS:		
THREE PLACE DECIMAL ± 0.005				SIZE DWG. NO. REV
TWO PLACE DUAL (mm) [±0.12]				C 20CB200100 B
PROPRIETARY AND CONFIDENTIAL				SCALE: NTS WEIGHT: SHEET 1 OF 1
THE INFORMATION CONTAINED IN THIS DRAWING IS THE SOLE PROPERTY OF LINKTECH LLC. ANY REPRODUCTION OR DISCLOSURE IN PART OR AS A WHOLE WITHOUT THE WRITTEN PERMISSION OF LINKTECH LLC IS STRICTLY PROHIBITED.				