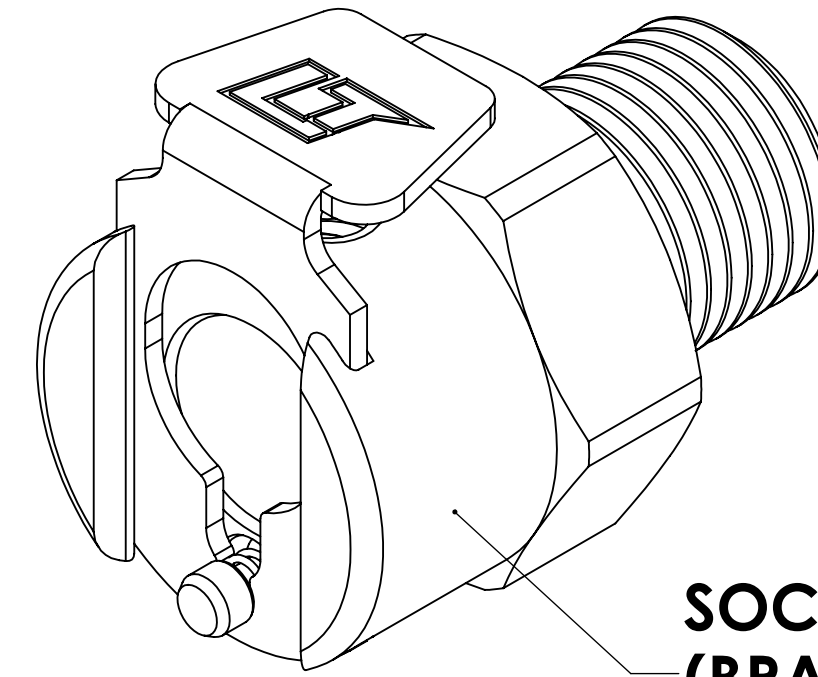
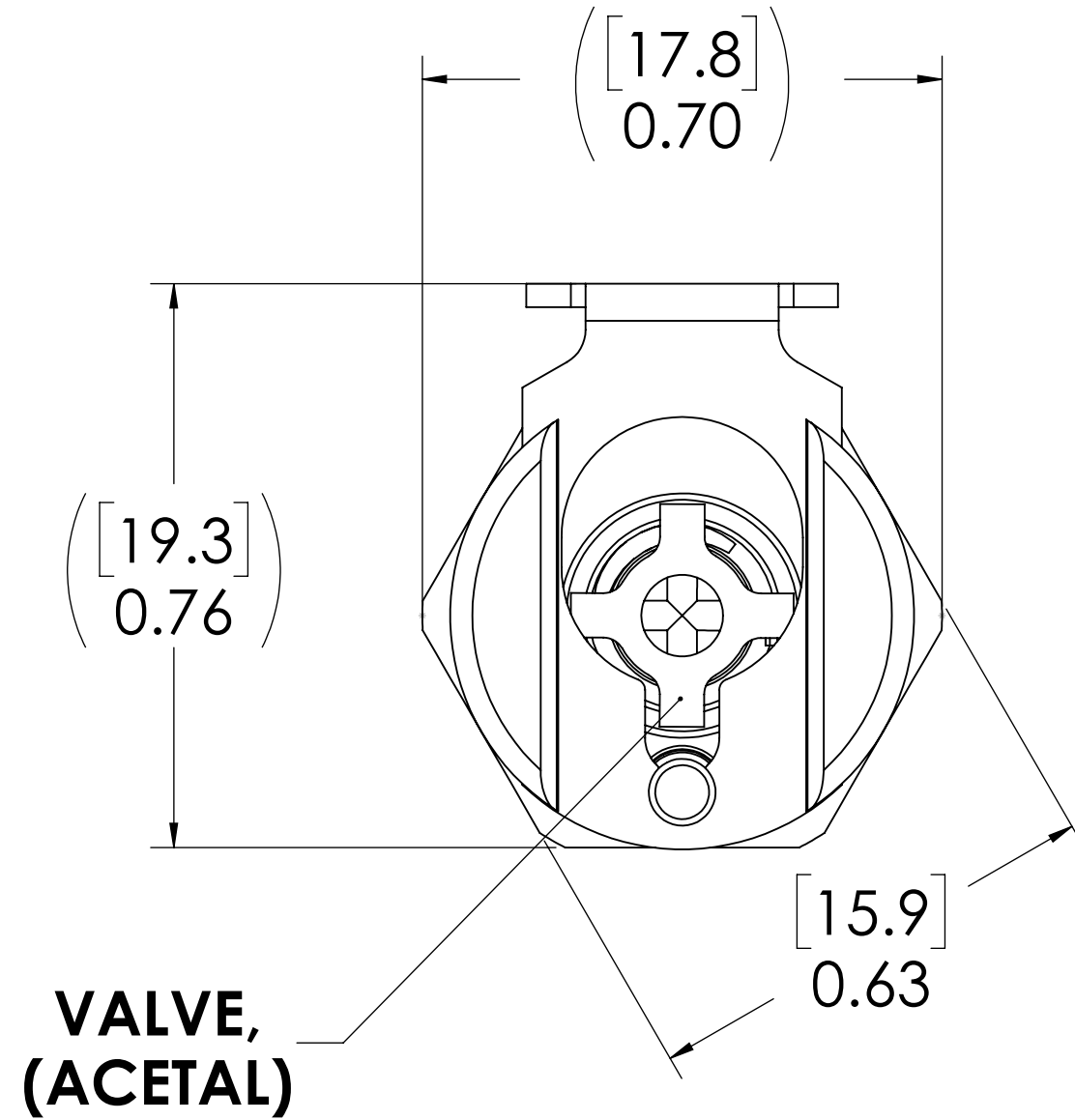


REVISIONS						
SHEET	ZONE	REV.	ECO	DESCRIPTION	DATE	APPROVED
ALL	ALL	A	50242	PIN, PIN SPRING & 2017 FORMAT UPDATE	8/18/2017	HRC

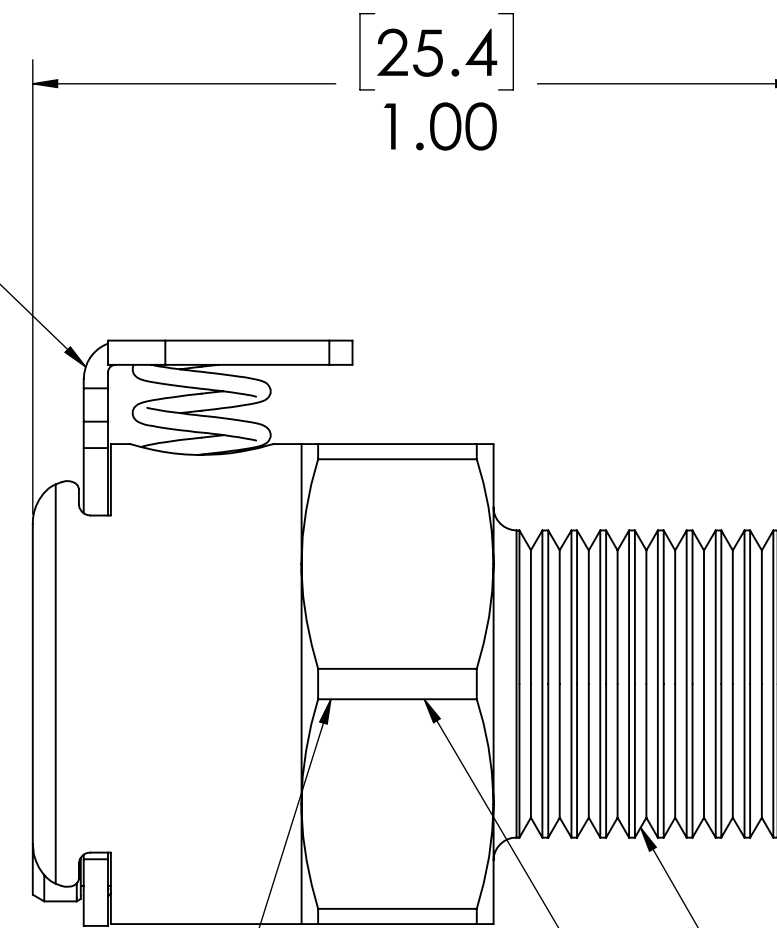


**SOCKET,
(BRASS, NICKEL AND
CHROME PLATED)**



**VALVE,
(ACETAL)**

**LATCH HARDWARE
(STAINLESS STEEL)**



**VALVE SPRING
INTERNAL
(STAINLESS
STEEL)**

**1/8" NPT
(PIPE THREAD)
VALVE O-RING
INTERNAL
(BUNA-N)**

NOTES:

1. MATERIAL: BRASS
2. FINISH: CHROME
3. O-RING MATERIAL: BUNA-N
4. O-RINGS LUBRICATED WITH FOOD GRADE SILICONE OIL, 350 CST.

FOR REFERENCE ONLY

<small>UNLESS OTHERWISE SPECIFIED: DIMENSIONS ARE IN INCHES TOLERANCES: FRACTIONAL ± 1/32 ANGULAR: MACH ± 0.5 BEND ± 2 ONE PLACE DECIMAL ± 0.1 TWO PLACE DECIMAL ± 0.01 THREE PLACE DECIMAL ± 0.005 TWO PLACE DUAL (mm) [± 0.12]</small>	DRAWN	CBH	8/9/17	
	CHECKED	HRC	8/10/17	
	ENG APPR.	HRC	8/18/17	
	MFG APPR.	BDB	8/18/17	
PROPRIETARY AND CONFIDENTIAL	Q.A.	JJB	8/18/17	PART NO: 20CBV-SB1-02 DESCRIPTION: Linktech 20CB Series Male Thread Female, Valved, 125 MNPT, Chrome Brass
<small>THE INFORMATION CONTAINED IN THIS DRAWING IS THE SOLE PROPERTY OF LINKTECH LLC. ANY REPRODUCTION OR DISCLOSURE IN PART OR AS A WHOLE WITHOUT THE WRITTEN PERMISSION OF LINKTECH LLC IS STRICTLY PROHIBITED.</small>	COMMENTS:		SIZE DWG. NO. REV C 20CB200154 A	SCALE: NTS WEIGHT: SHEET 1 OF 1