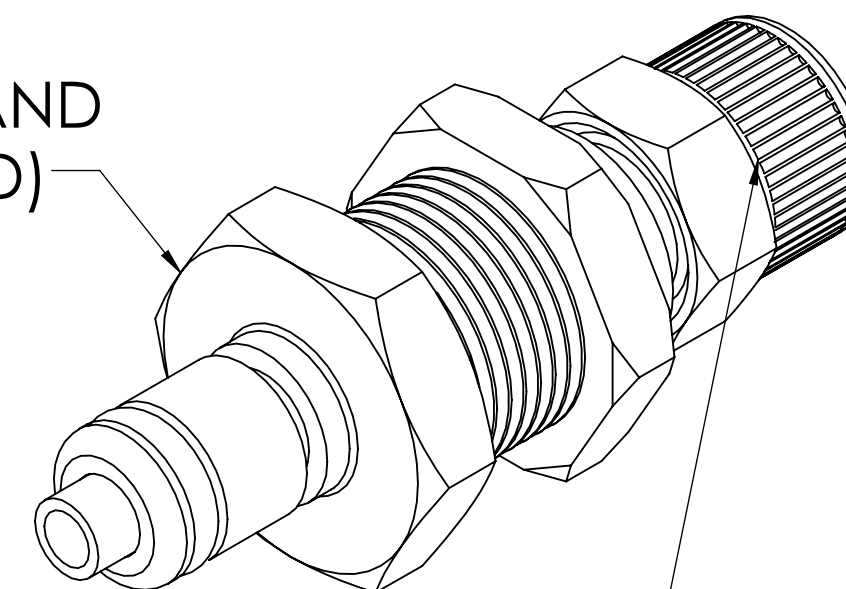
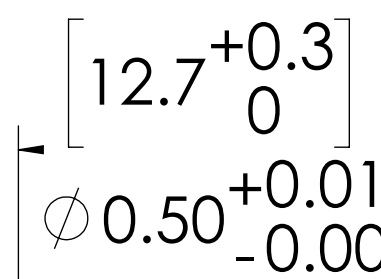
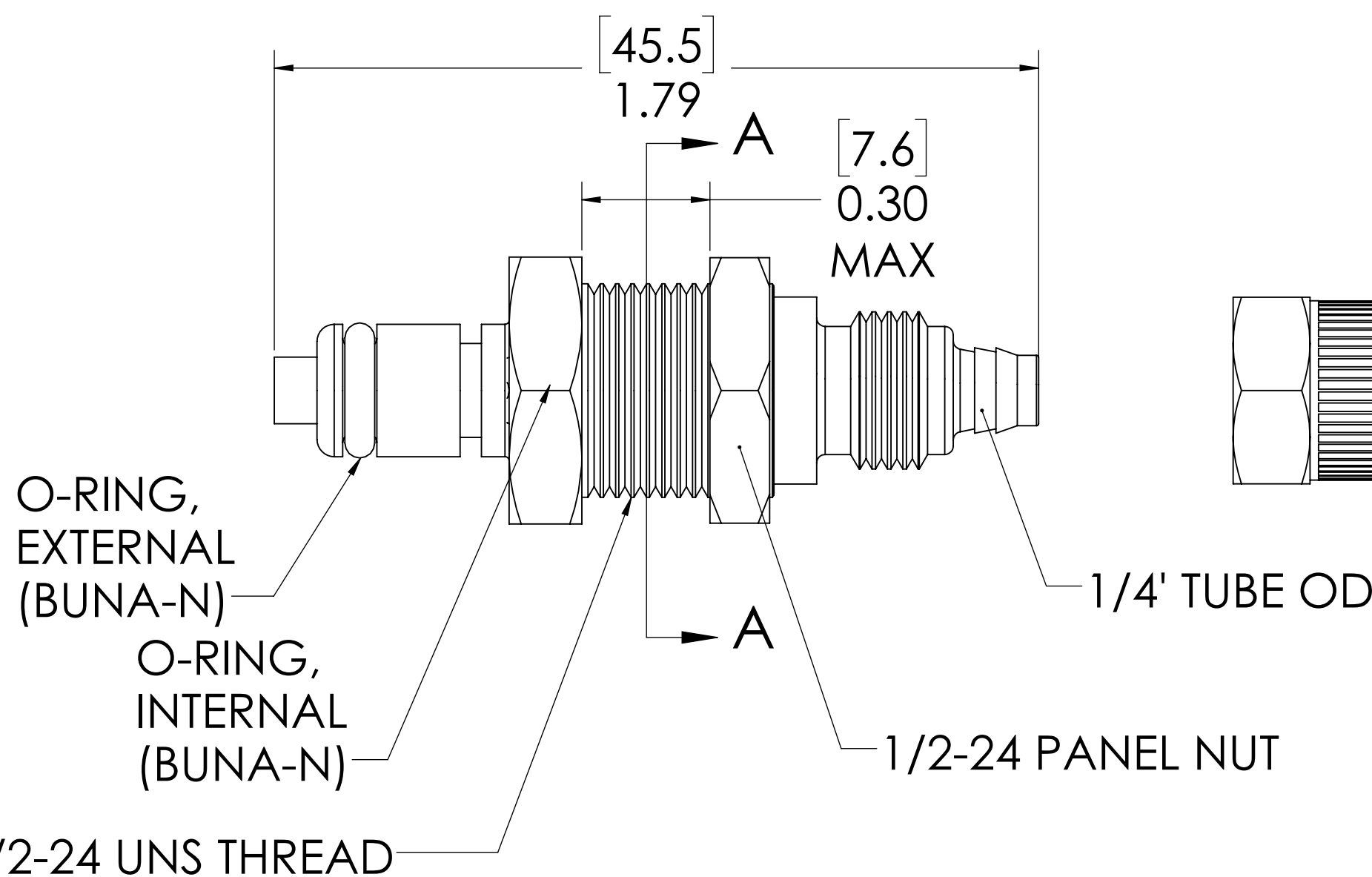
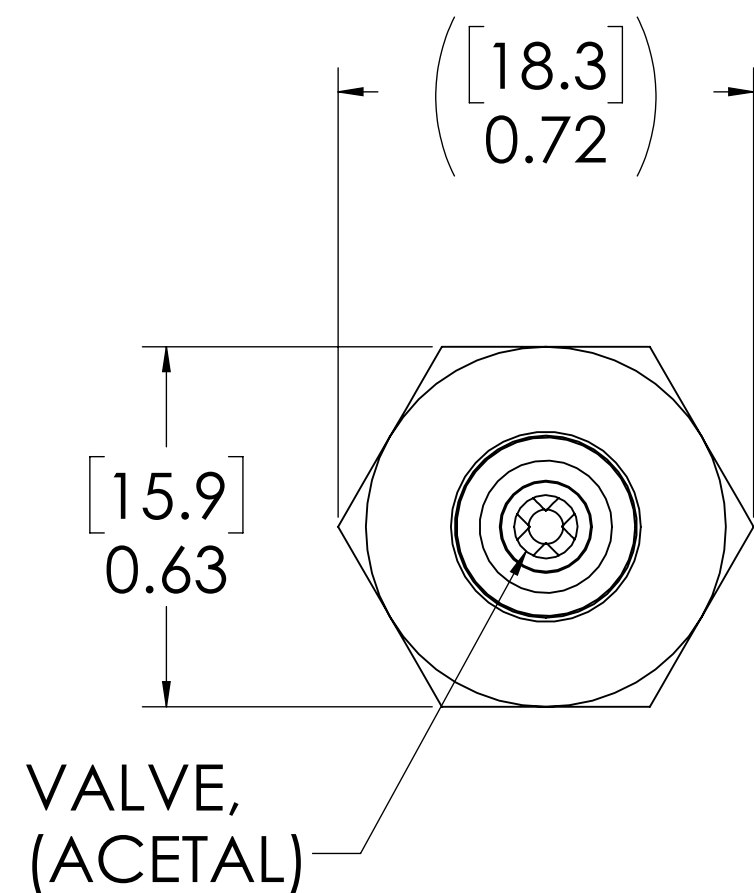


REVISIONS						
SHEET	ZONE	REV.	ECO	DESCRIPTION	DATE	APPROVED
1	ALL	A	50253	2017 DRAWING FORMAT UPDATE	2/6/2018	HRC

PLUG,  
(BRASS, NICKEL AND  
CHROME PLATED)



1/4" PTF NUT  
(BRASS, NICKEL PLATED)  
PACKAGED SEPARATELY



**NOTES:**

- MATERIAL: BRASS
- FINISH: CHROME
- O-RING MATERIAL: BUNA-N
- O-RINGS LUBRICATED WITH FOOD GRADE SILICONE OIL, 350 CST.

**FOR REFERENCE ONLY**

UNLESS OTHERWISE SPECIFIED:		NAME	DATE	
DIMENSIONS ARE IN INCHES TOLERANCES: FRACTIONAL ± 1/32 ANGULAR: MACH ± 0.5 BEND ± 2 ONE PLACE DECIMAL ± 0.1 TWO PLACE DECIMAL ± 0.01 THREE PLACE DECIMAL ± 0.005 TWO PLACE DUAL (mm) [± 0.12]		DRAWN	RDA 8/16/2017	
PROPRIETARY AND CONFIDENTIAL THE INFORMATION CONTAINED IN THIS DRAWING IS THE SOLE PROPERTY OF LINKTECH LLC. ANY REPRODUCTION OR DISCLOSURE IN PART OR AS A WHOLE WITHOUT THE WRITTEN PERMISSION OF LINKTECH LLC IS STRICTLY PROHIBITED.		CHECKED	HRC 08-16-17	DESCRIPTION: LinkTech 20CB Series Panel Mt. Male, Valved, 250 PTF, Chrome Brass
		ENG APPR.	HRC 02-06-18	
		MFG APPR.	BDB 02-06-18	SCALE: NTS WEIGHT: SHEET 1 OF 1
		PRODUCTION	RK 02-06-18	
		COMMENTS:		