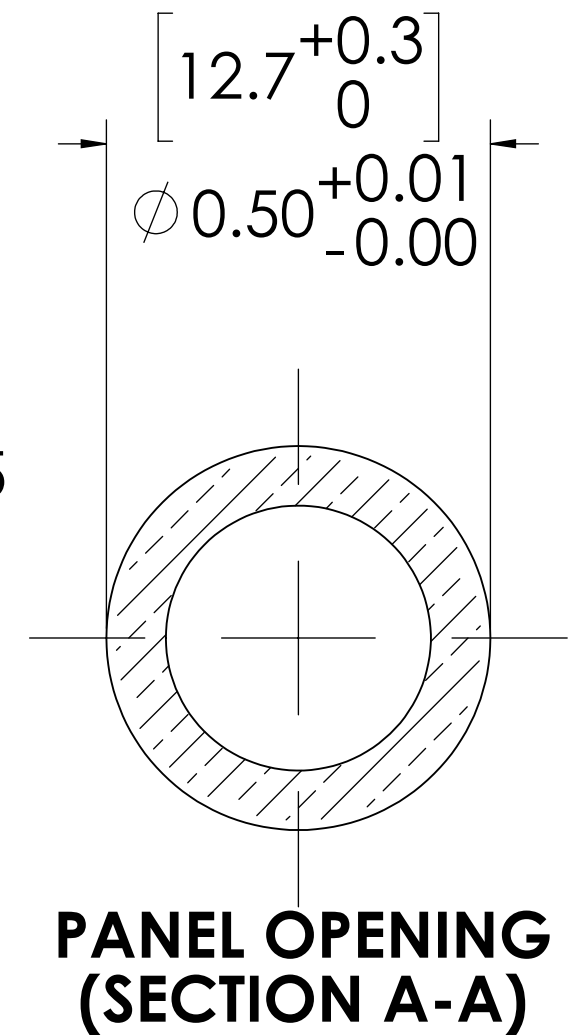
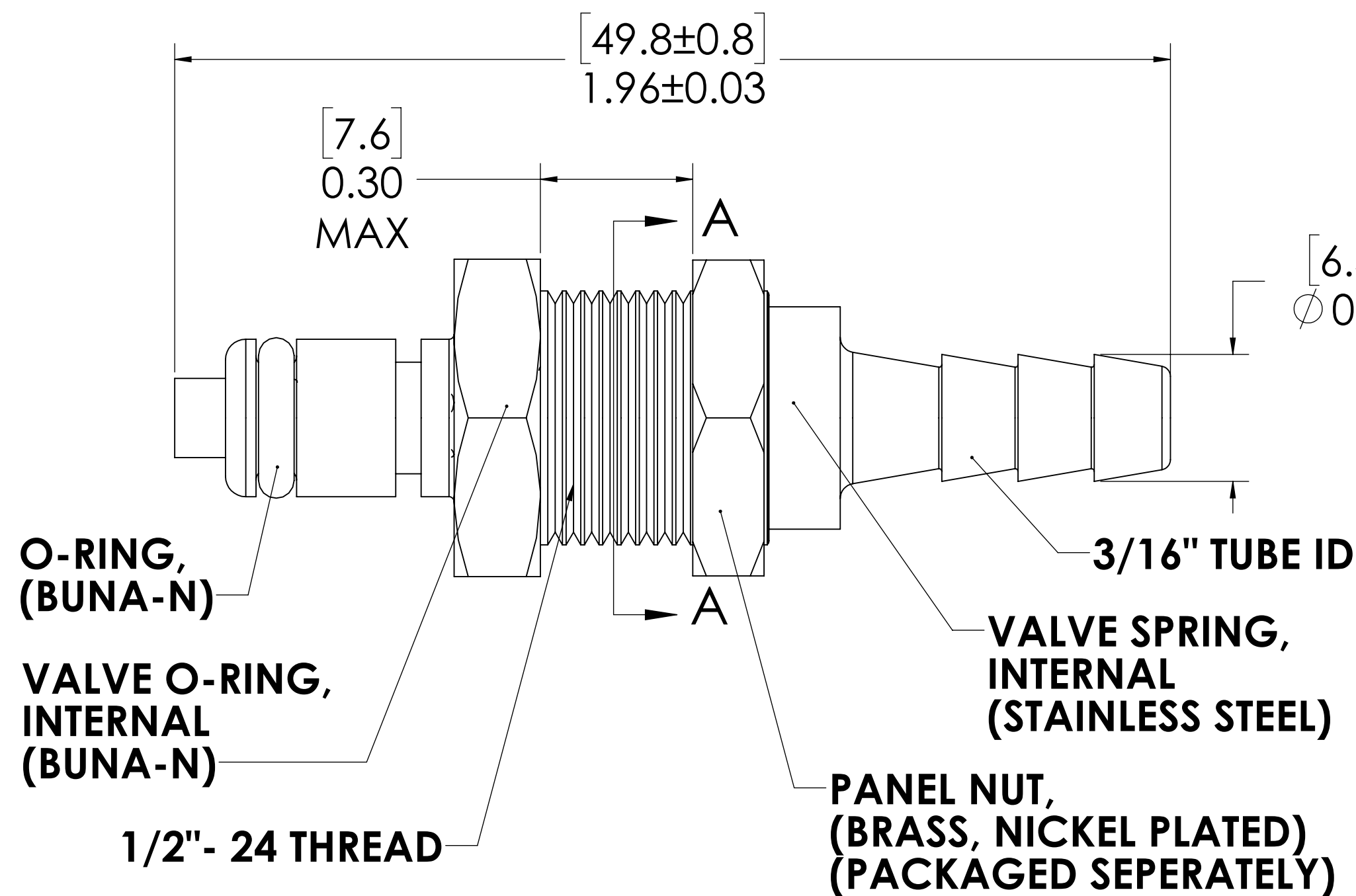
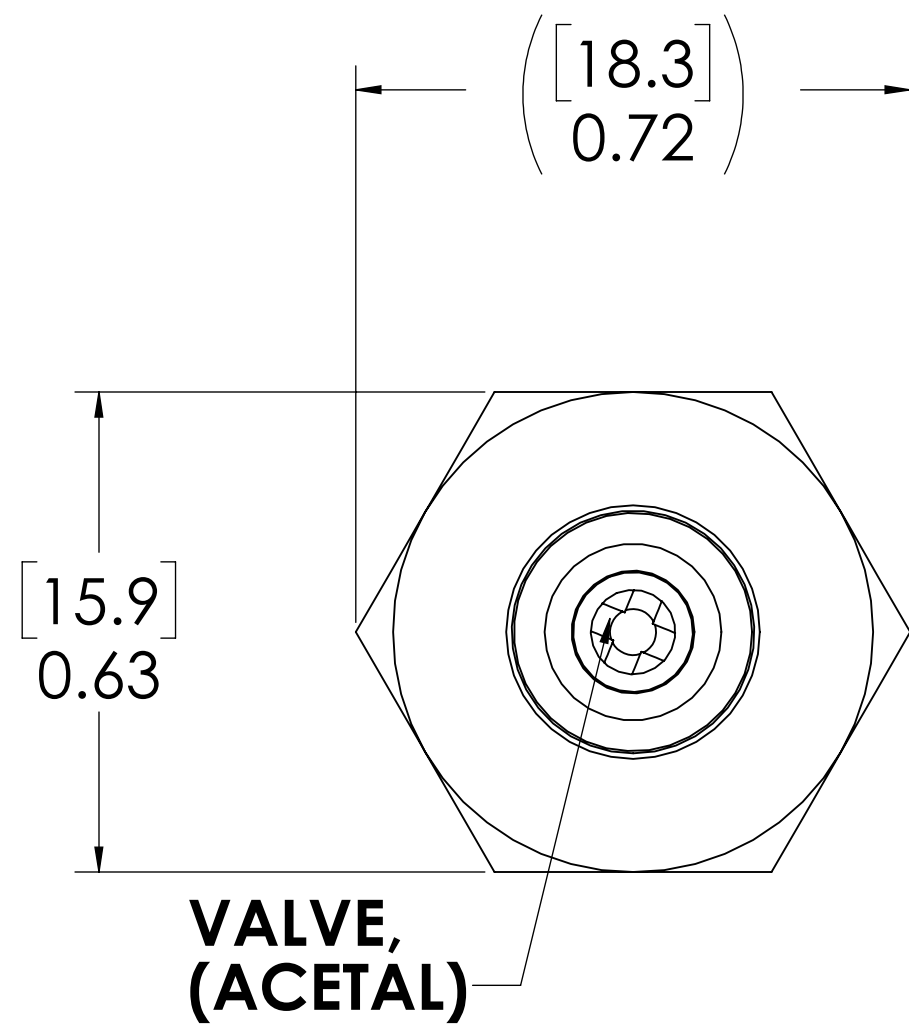
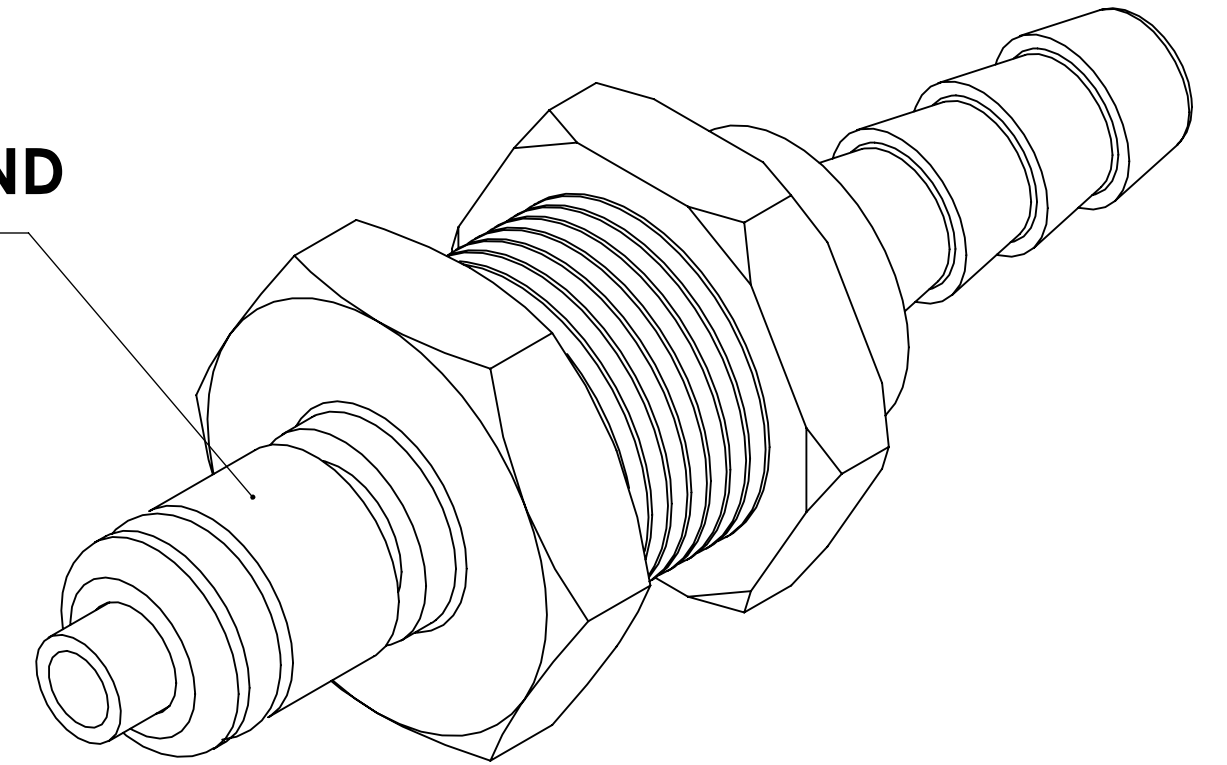


REVISIONS						
SHEET	ZONE	REV.	ECO	DESCRIPTION	DATE	APPROVED
1	ALL	A	50253	INITIAL RELEASE	10/16/2018	HRC

**PLUG,
(BRASS, NICKEL AND
CHROME PLATED)**



NOTES:

- MATERIAL: BRASS
- FINISH: CHROME
- O-RING MATERIAL: BUNA-N
- O-RINGS LUBRICATED WITH FOOD GRADE SILICONE OIL, 350 CST.

FOR REFERENCE ONLY

UNLESS OTHERWISE SPECIFIED:		NAME	DATE	LINKTECH AN OFFSHORE COMPANY
DIMENSIONS ARE IN INCHES TOLERANCES: FRACTIONAL ± 1/32 ANGULAR: MACH ± 0.5 BEND ± 2 ONE PLACE DECIMAL ± 0.1 TWO PLACE DECIMAL ± 0.01 THREE PLACE DECIMAL ± 0.005 TWO PLACE DUAL (mm) [± 0.12]		DRAWN	DHJ 9/15/09	
PROPRIETARY AND CONFIDENTIAL		CHECKED	DHJ 9/15/09	
THE INFORMATION CONTAINED IN THIS DRAWING IS THE SOLE PROPERTY OF LINKTECH LLC. ANY REPRODUCTION OR DISCLOSURE IN PART OR AS A WHOLE WITHOUT THE WRITTEN PERMISSION OF LINKTECH LLC IS STRICTLY PROHIBITED.		ENG APPR.	HRC 10/16/18	
		MFG APPR.	BDB 10/16/18	
		PRODUCTION	LS 10/16/18	DESCRIPTION: LinkTech 20CB Series Panel Mt. Male, Valved 3/16\" HB, Chrome Brass
		COMMENTS:		SIZE DWG. NO. REV C 20CB200044 A
				SCALE: NTS WEIGHT: SHEET 1 OF 1