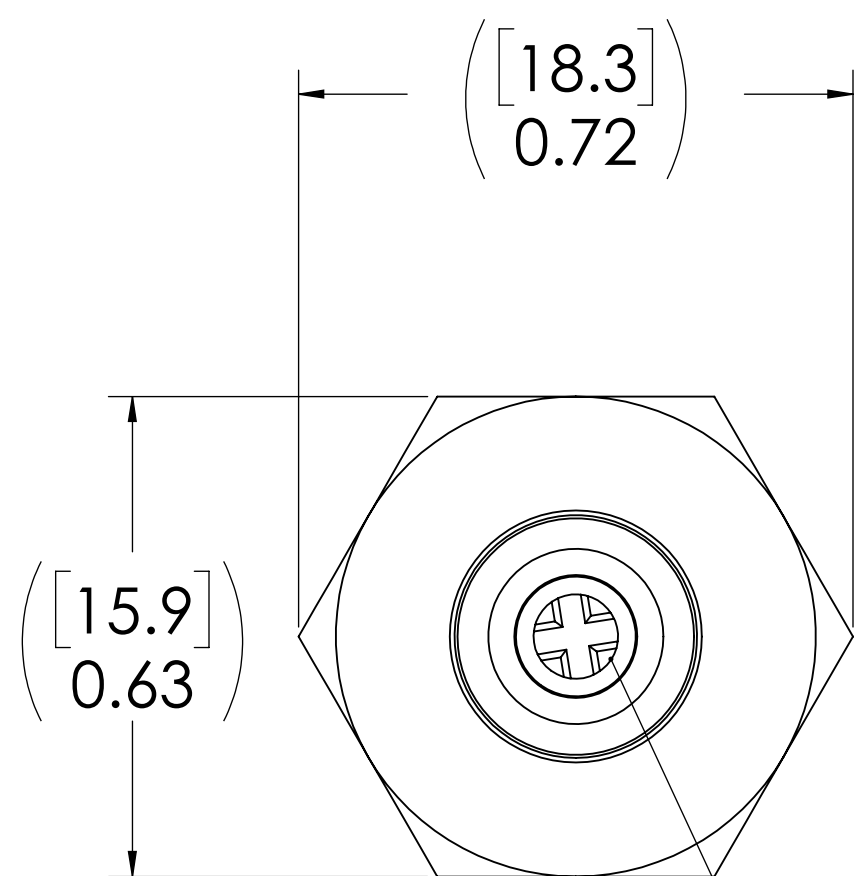
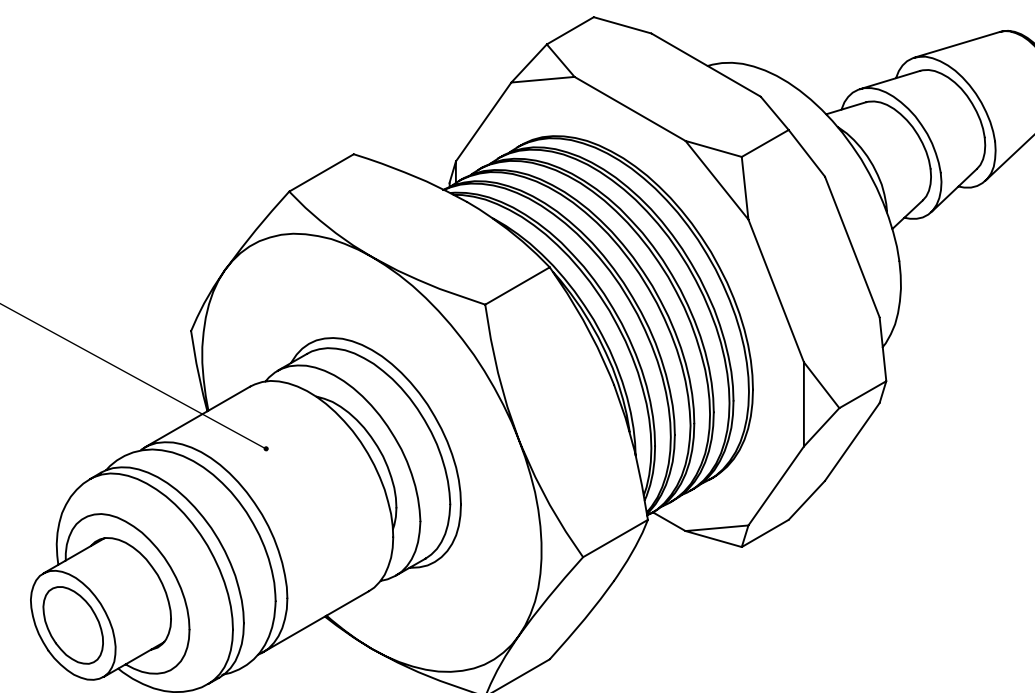
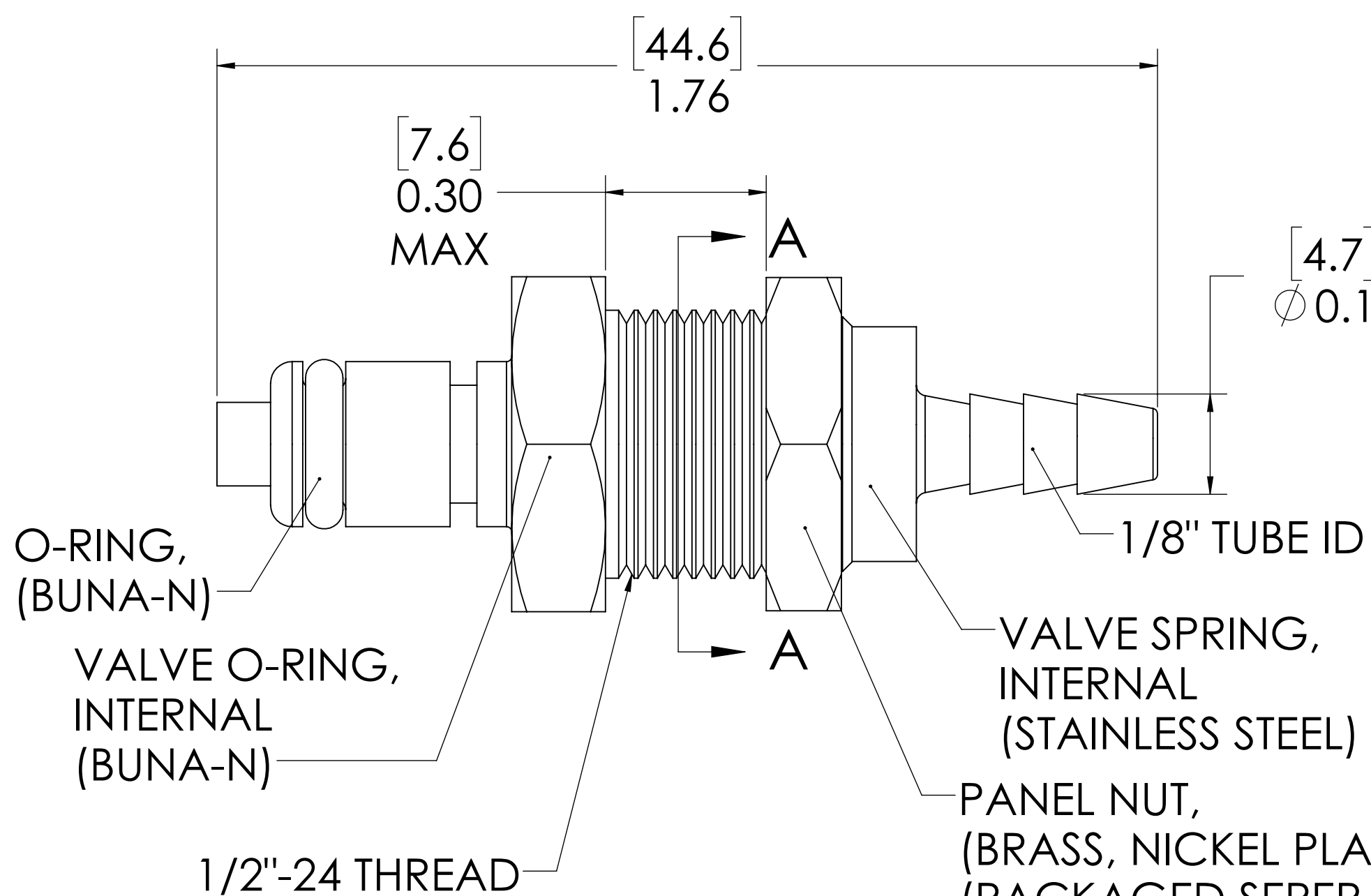


REVISIONS						
SHEET	ZONE	REV.	ECO	DESCRIPTION	DATE	APPROVED
1	ALL	B	50253	DRAFTING UPDATE	8/18/2017	HRC

PLUG,
(BRASS, NICKEL AND
CHROME PLATED)



VALVE,
(ACETAL)



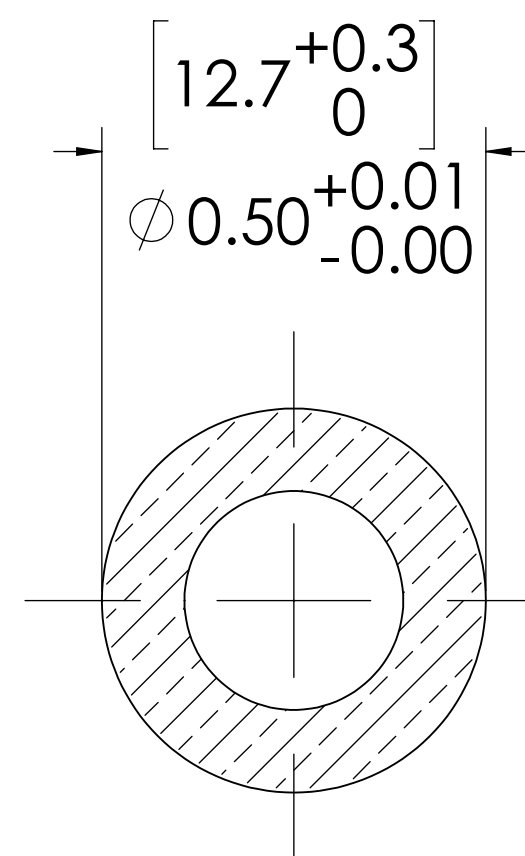
O-RING,
(BUNA-N)

VALVE O-RING,
INTERNAL
(BUNA-N)

1/2"-24 THREAD

VALVE SPRING,
INTERNAL
(STAINLESS STEEL)

PANEL NUT,
(BRASS, NICKEL PLATED)
(PACKAGED SEPERATELY)



PANEL OPENING
(SECTION A-A)

NOTES:

- MATERIAL: BRASS
- FINISH: CHROME
- O-RING MATERIAL: BUNA-N
- O-RINGS LUBRICATED WITH FOOD GRADE SILICONE OIL, 350 CST.

FOR REFERENCE ONLY

<small>UNLESS OTHERWISE SPECIFIED: DIMENSIONS ARE IN INCHES TOLERANCES: FRACTIONAL ± 1/32 ANGULAR: MACH ± 0.5 BEND ± 2 ONE PLACE DECIMAL ± 0.1 TWO PLACE DECIMAL ± 0.01 THREE PLACE DECIMAL ± 0.005 TWO PLACE DUAL (mm) [± 0.12]</small>	DRAWN	DHJ	6/19/09	
	CHECKED	HRC	1/11/11	
	ENG APPR.	HRC	8/18/17	
	MFG APPR.	BDB	8/18/17	
<small>PROPRIETARY AND CONFIDENTIAL THE INFORMATION CONTAINED IN THIS DRAWING IS THE SOLE PROPERTY OF LINKTECH LLC. ANY REPRODUCTION OR DISCLOSURE IN PART OR AS A WHOLE WITHOUT THE WRITTEN PERMISSION OF LINKTECH LLC IS STRICTLY PROHIBITED.</small>	Q.A.	JJB	8/18/17	PART NO: 20CBV-PB3-02 DESCRIPTION: LinkTech 20CB Series Panel Mt. Male, Valved, 1/8" HB, Chrome Brass
SIZE C		DWG. NO. 20CB200026		REV B
SCALE: NTS		WEIGHT:		SHEET 1 OF 1