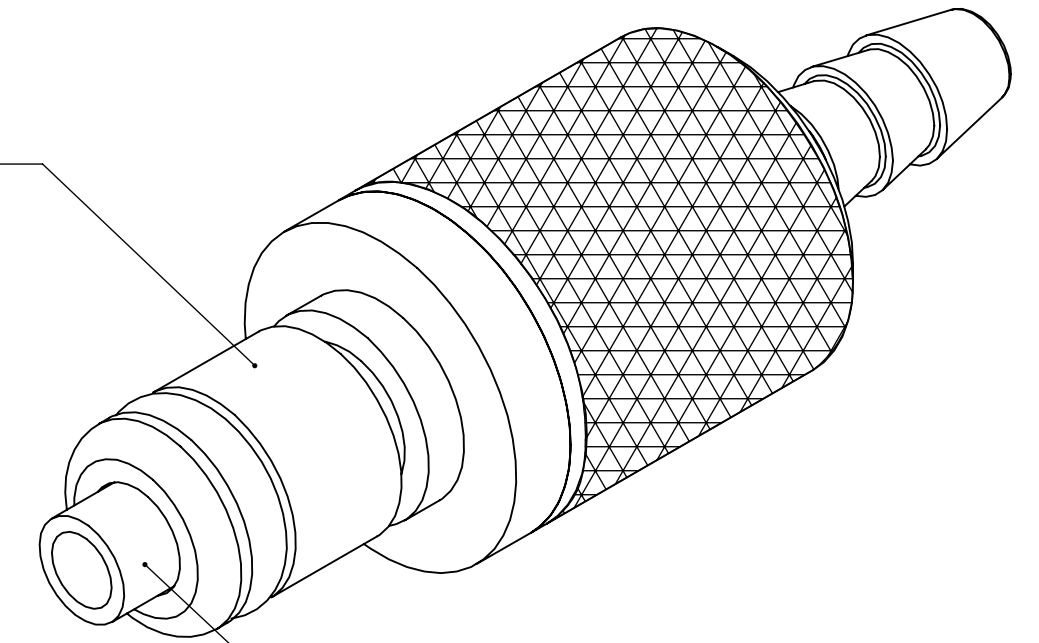
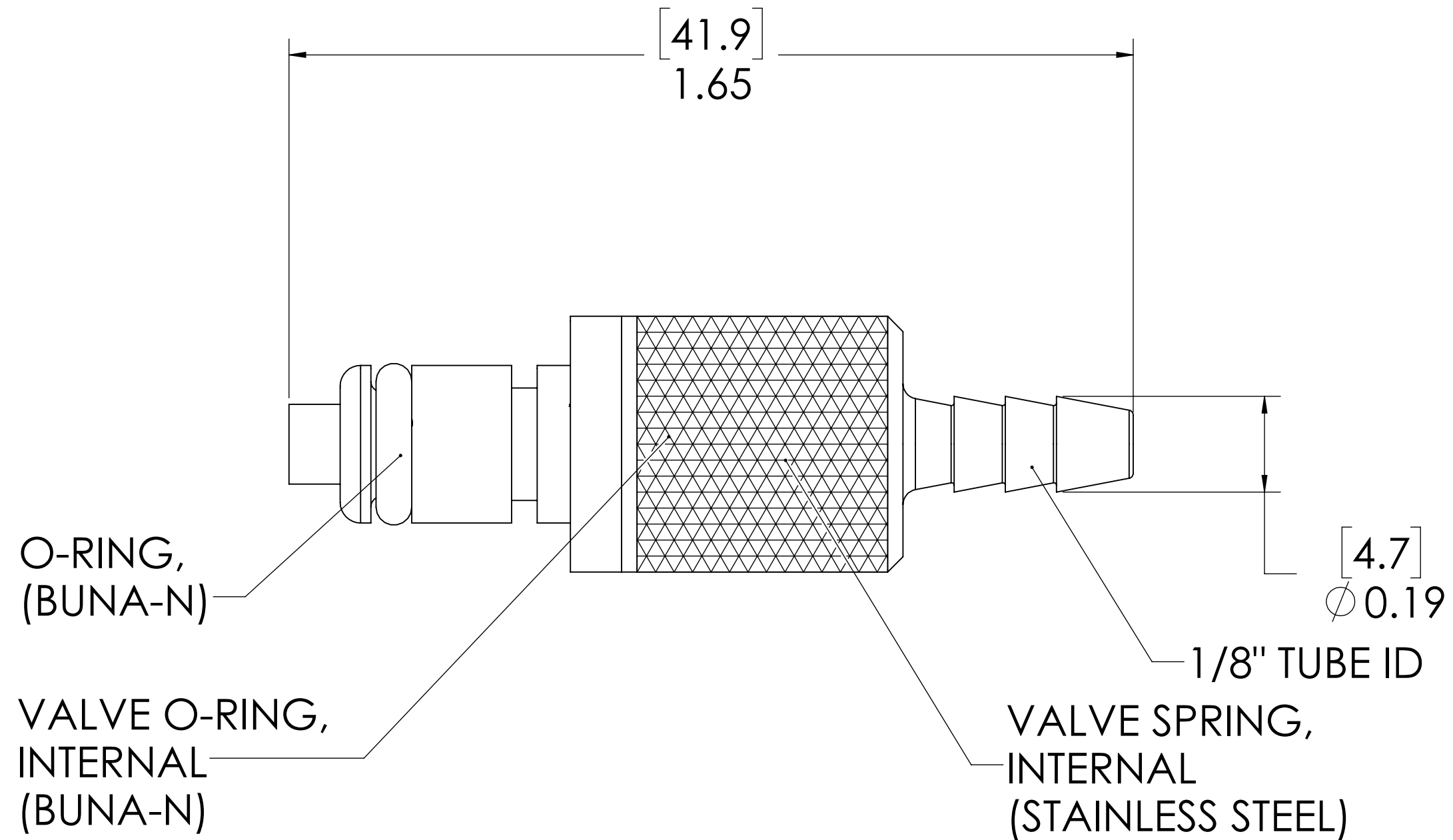
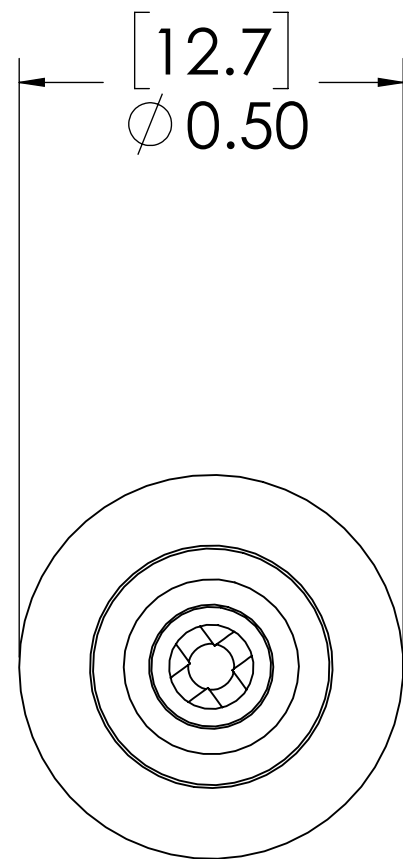


REVISIONS						
SHEET	ZONE	REV.	ECO	DESCRIPTION	DATE	APPROVED
ALL	ALL	A	50253	UPDATE DWG FORMAT	8/18/17	HRC

PLUG,
(BRASS,
NICKEL AND
CHROME PLATED)



VALVE,
(ACETAL)



O-RING,
(BUNA-N)

VALVE O-RING,
INTERNAL
(BUNA-N)

VALVE SPRING,
INTERNAL
(STAINLESS STEEL)

NOTES:

1. MATERIAL: BRASS
2. COLOR: CHROME
3. O-RING MATERIAL: BUNA-N
4. O-RINGS LUBRICATED WITH FOOD GRADE SILICONE OIL, 350 CST.

FOR REFERENCE ONLY

<small>UNLESS OTHERWISE SPECIFIED: DIMENSIONS ARE IN INCHES TOLERANCES: FRACTIONAL ± 1/32 ANGULAR: MACH ± 0.5 BEND ± 2 ONE PLACE DECIMAL ± 0.1 TWO PLACE DECIMAL ± 0.01 THREE PLACE DECIMAL ± 0.005 TWO PLACE DUAL (mm) [± 0.12]</small>	DRAWN	CKE	8/9/17	
	CHECKED	XXX	XX/XX/XX	
	ENG APPR.	HRC	8/18/17	
	MFG APPR.	BDB	8/18/17	
<small>PROPRIETARY AND CONFIDENTIAL THE INFORMATION CONTAINED IN THIS DRAWING IS THE SOLE PROPERTY OF LINKTECH LLC. ANY REPRODUCTION OR DISCLOSURE IN PART OR AS A WHOLE WITHOUT THE WRITTEN PERMISSION OF LINKTECH LLC IS STRICTLY PROHIBITED.</small>	Q.A.	JJB	8/18/17	PART NO: 20CBV-PB2-02 DESCRIPTION: 1/8" HB INLINE VALVED CB PLUG 20 SERIES
SIZE DWG. NO. REV C 20CB200152 A		SCALE: NTS WEIGHT:		SHEET 1 OF 1