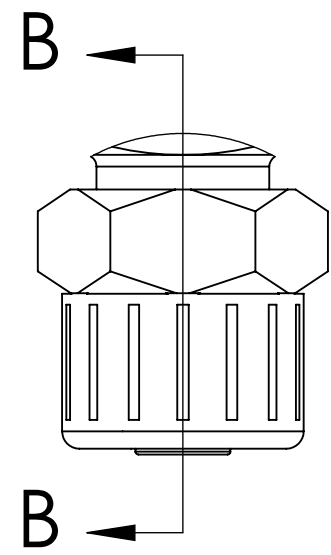
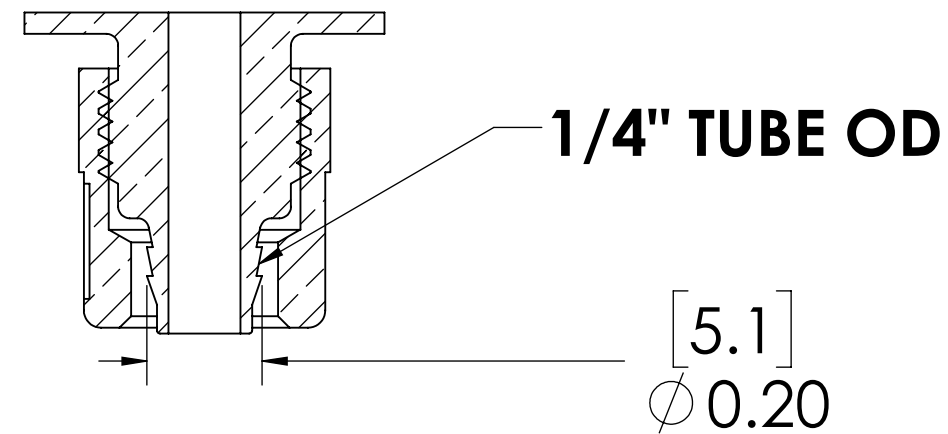


REVISIONS						
SHEET	ZONE	REV.	ECO	DESCRIPTION	DATE	APPROVED
1	ALL	A	50253	DWG DRAFTING UPDATE	5/15/2018	HRC

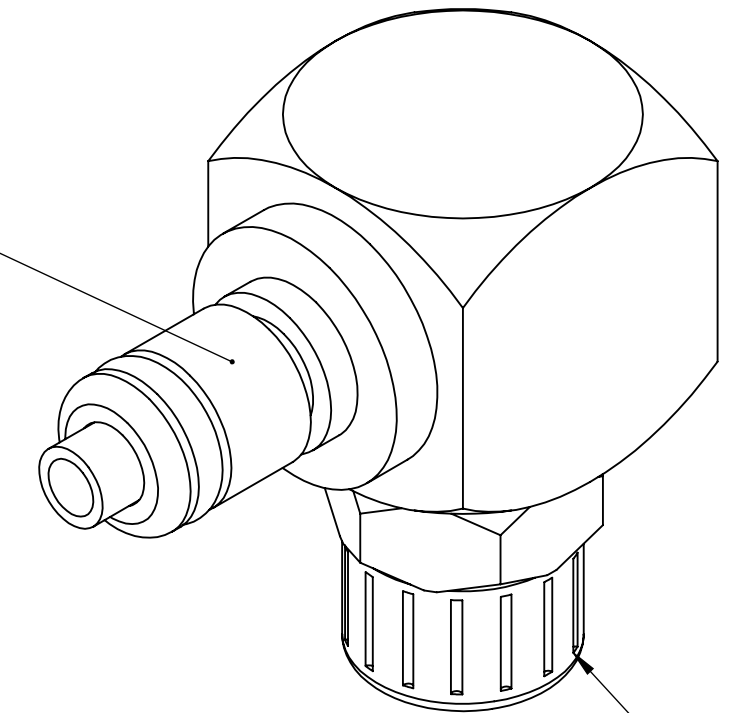


**DETAIL A**

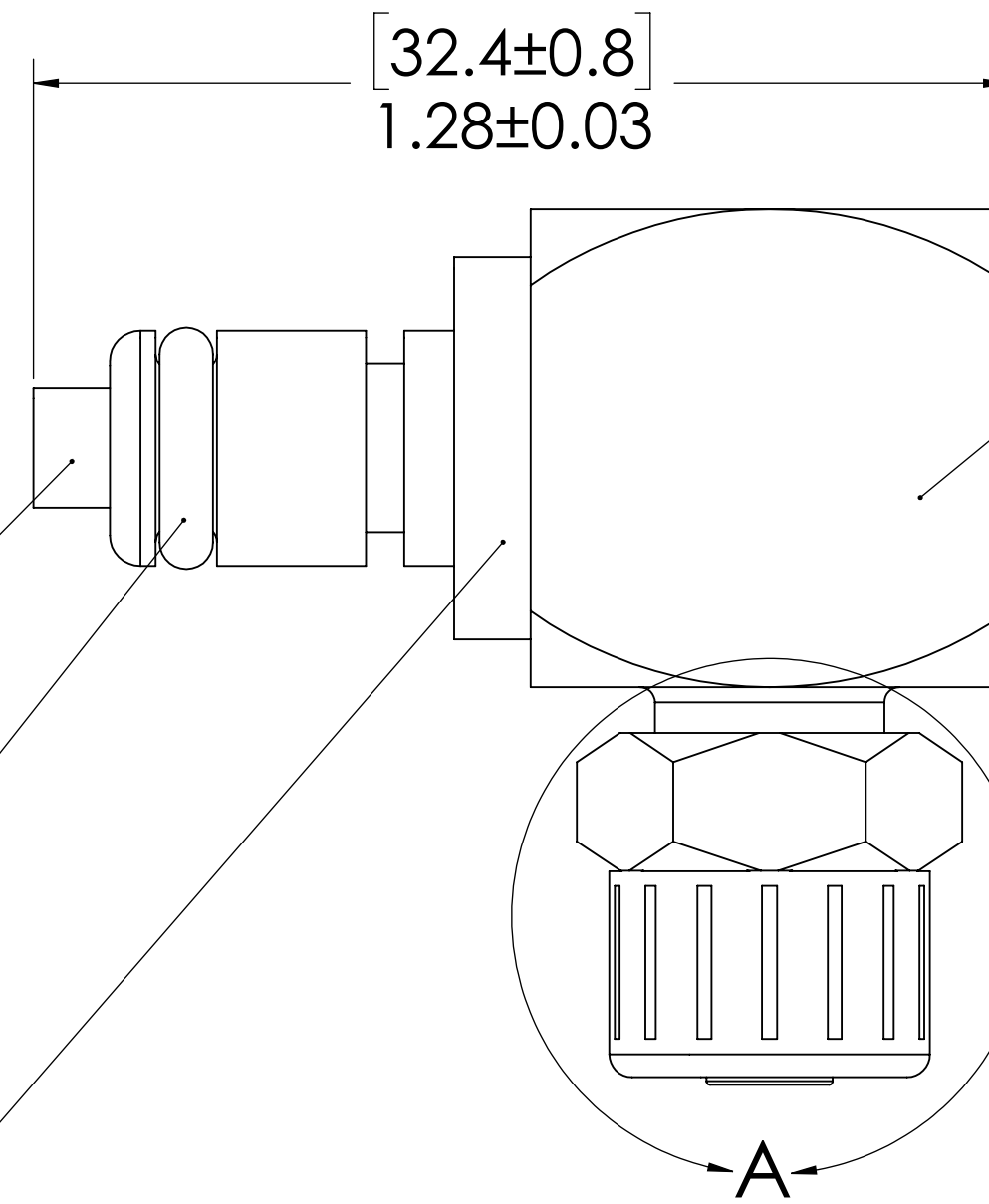
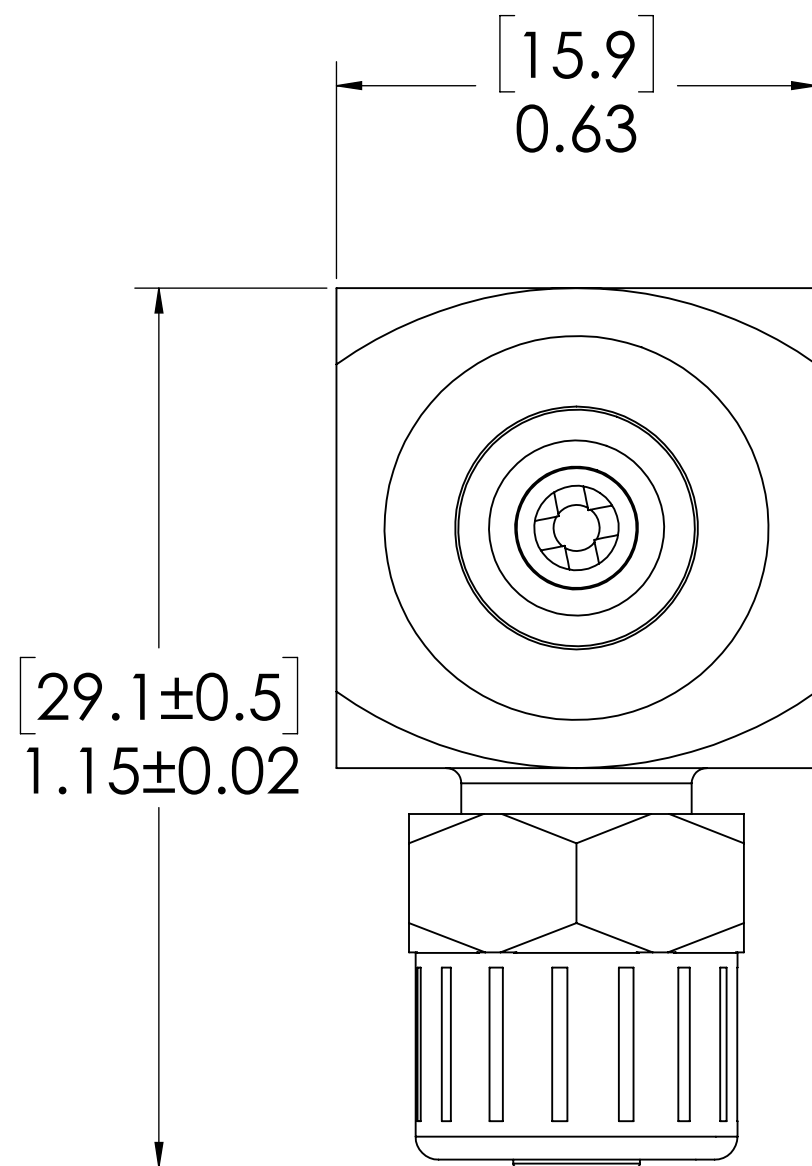


**SECTION B-B**

**PLUG, (BRASS, NICKEL AND CHROME PLATED)**



**PTF NUT (BRASS, NICKEL PLATED) (PACKAGED SEPARATELY)**



**VALVE (ACETAL)**

**O-RING (BUNA-N)**

**VALVE SPRING INTERNAL (STAINLESS STEEL)**

**VALVE O-RING INTERNAL (BUNA-N)**

**NOTES:**

- MATERIAL: BRASS
- FINISH: CHROME
- O-RING MATERIAL: BUNA-N
- O-RINGS LUBRICATED WITH FOOD GRADE SILICONE OIL, 350 CST.

**FOR REFERENCE ONLY**

<small>UNLESS OTHERWISE SPECIFIED: DIMENSIONS ARE IN INCHES TOLERANCES: FRACTIONAL ±1/32 ANGULAR: MACH ±0.5 BEND ±2 ONE PLACE DECIMAL ±0.1 TWO PLACE DECIMAL ±0.01 THREE PLACE DECIMAL ±0.005 TWO PLACE DUAL (mm) [±0.12]</small>	DRAWN	CBH	8/10/2017	
	CHECKED	HRC	8/10/2017	
	ENG APPR.	HRC	5/15/18	
	MFG APPR.	BDB	5/15/18	
<small>PROPRIETARY AND CONFIDENTIAL THE INFORMATION CONTAINED IN THIS DRAWING IS THE SOLE PROPERTY OF LINKTECH LLC. ANY REPRODUCTION OR DISCLOSURE IN PART OR AS A WHOLE WITHOUT THE WRITTEN PERMISSION OF LINKTECH LLC IS STRICTLY PROHIBITED.</small>	PURCHASING	RK	5/15/18	<b>PART NO. 20CBV-PB10-04</b> <small>DESCRIPTION: LinkTech 20CB Series Elbow Male, Valved, 1/4" PTF, Chrome Brass</small>
<small>COMMENTS:</small>		<b>SIZE DWG. NO. REV</b> <b>C 20CB200032 A</b>	<small>SCALE: NTS WEIGHT:</small>	<small>SHEET 1 OF 1</small>