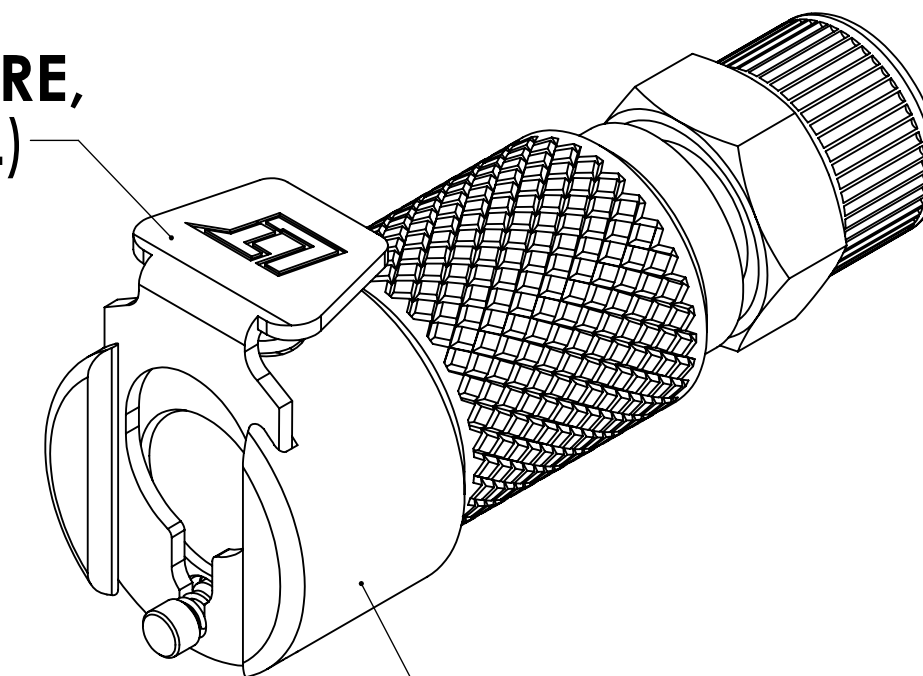
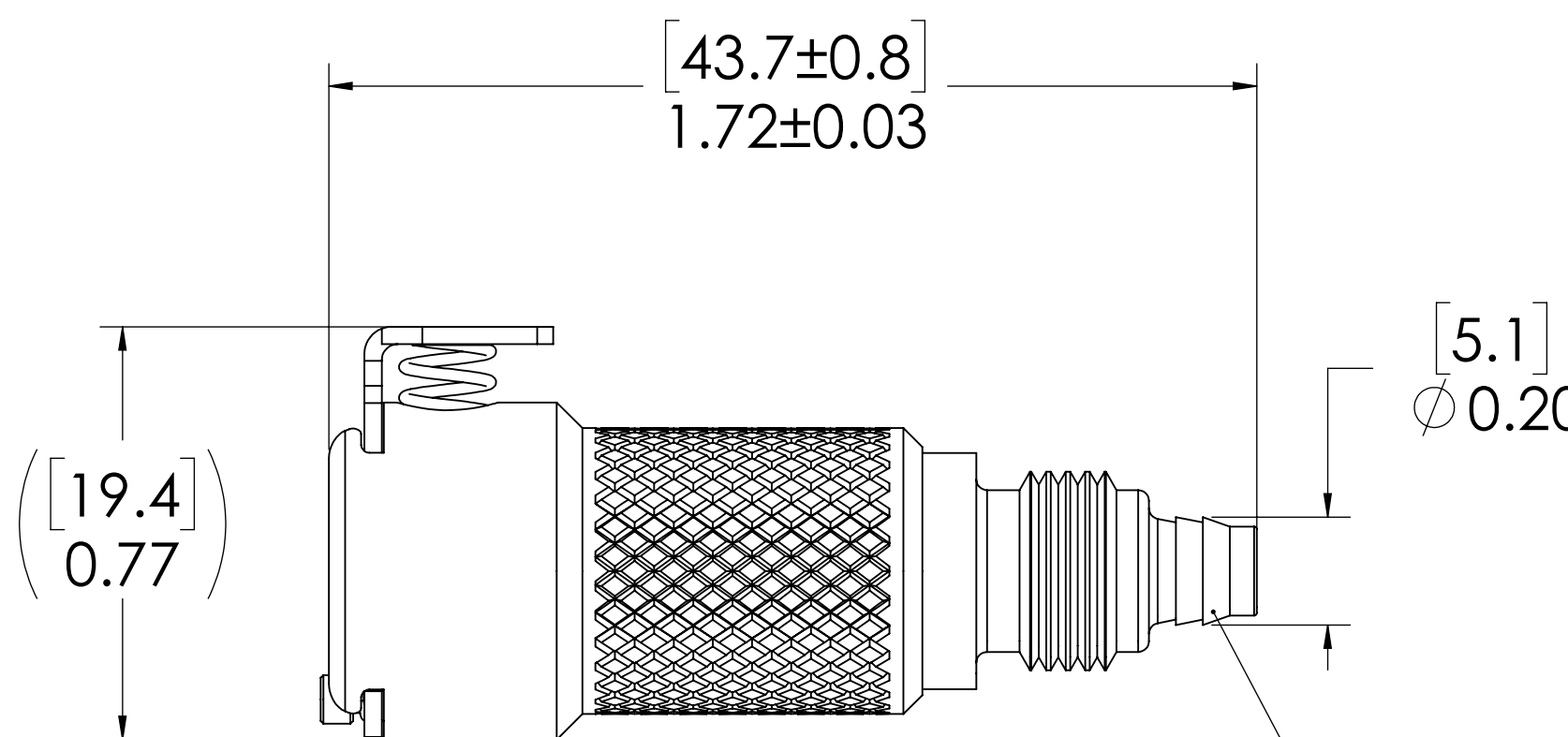
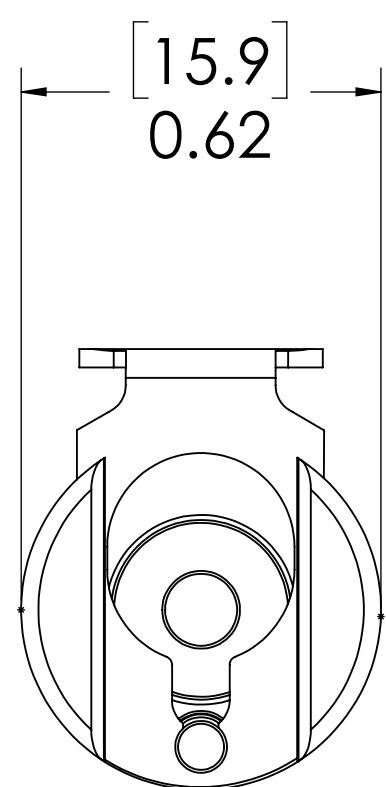


REVISIONS						
SHEET	ZONE	REV.	ECO	DESCRIPTION	DATE	APPROVED
1	ALL	A	50242	UPDATE DWG TO CURRENT FORMAT & STANDARDS	7/24/2018	HRC

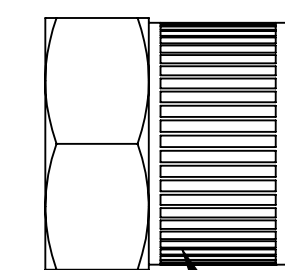
**LATCH HARDWARE,
(STAINLESS STEEL)**



**SOCKET,
(BRASS, NICKEL &
CHROME PLATED)**



1/4" TUBE OD



**PTF NUT,
(BRASS, NICKEL PLATED)
PACKAGE SEPARATELY**

FOR REFERENCE ONLY

NOTES:

- MATERIAL: BRASS
- FINISH: CHROME

<small>UNLESS OTHERWISE SPECIFIED: DIMENSIONS ARE IN INCHES TOLERANCES: FRACTIONAL ± 1/32 ANGULAR: MACH ± 0.5 BEND ± 2 ONE PLACE DECIMAL ± 0.1 TWO PLACE DECIMAL ± 0.01 THREE PLACE DECIMAL ± 0.005 TWO PLACE DUAL (mm) [±0.12]</small>	DRAWN	ER	08-01-17	
	CHECKED	HRC	08-01-17	
	ENG APPR.	HRC	7/24/18	
	MFG APPR.	BDB	7/24/18	
PRODUCTION	LS	7/24/18		PART NO: 20CB-S9-04 DESCRIPTION: LinkTech 20CB Series Straight Female, Non-valved, 1/4" PTF, Chrome Brass
<small>PROPRIETARY AND CONFIDENTIAL THE INFORMATION CONTAINED IN THIS DRAWING IS THE SOLE PROPERTY OF LINKTECH LLC. ANY REPRODUCTION OR DISCLOSURE IN PART OR AS A WHOLE WITHOUT THE WRITTEN PERMISSION OF LINKTECH LLC IS STRICTLY PROHIBITED.</small>	COMMENTS:			SIZE DWG. NO. REV C 20CB200022 A
	SCALE: NTS	WEIGHT:		SHEET 1 OF 1