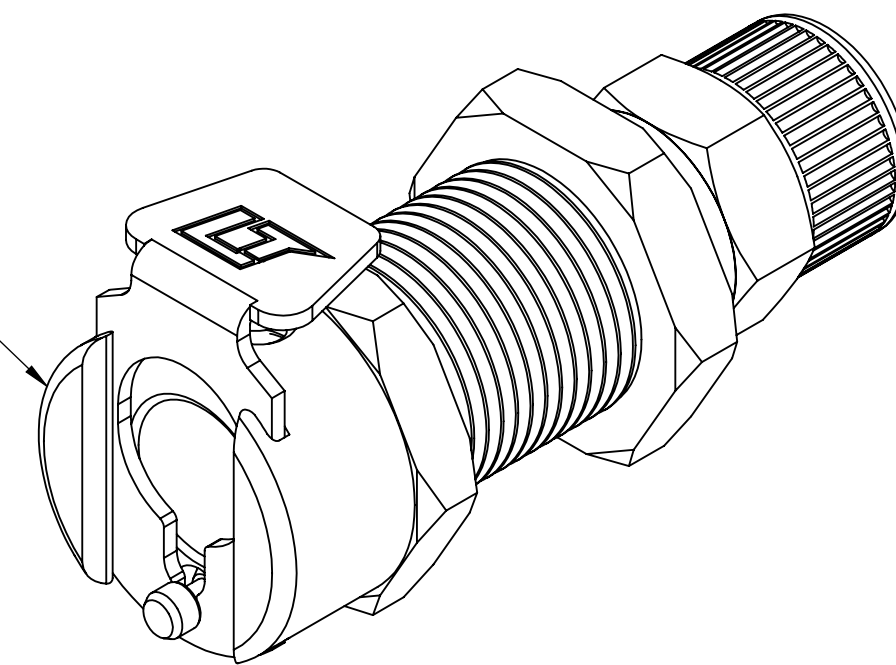
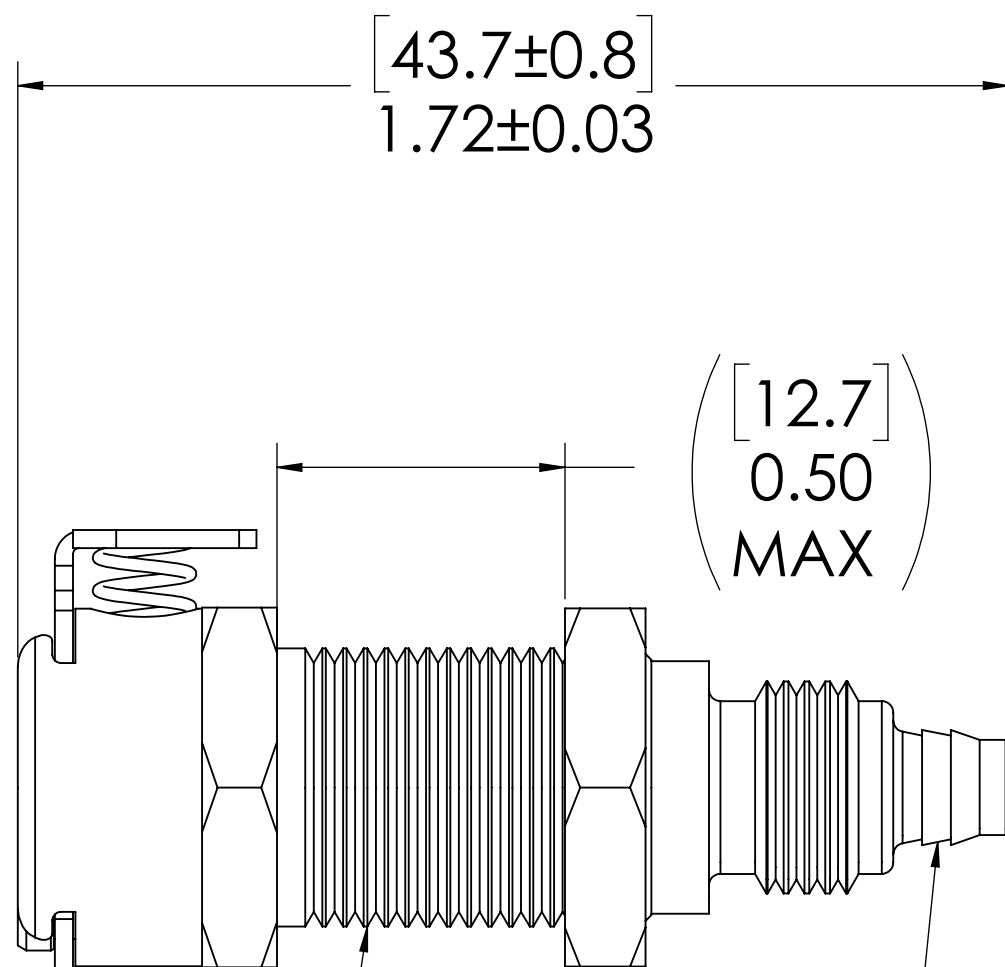
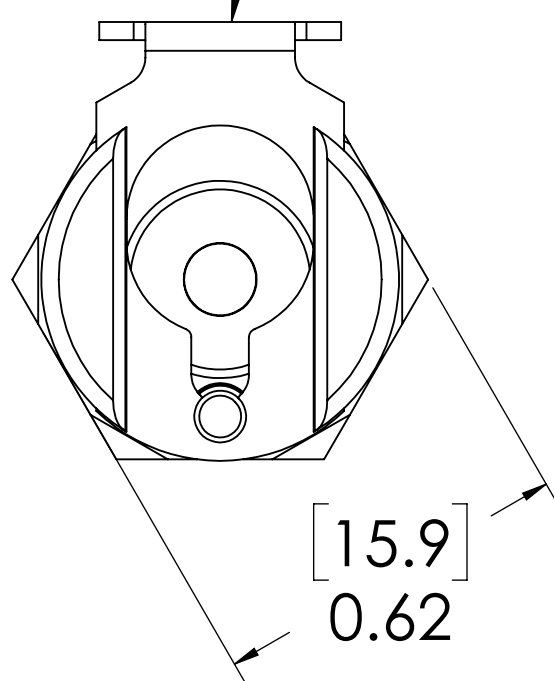


REVISIONS						
SHEET	ZONE	REV.	ECO	DESCRIPTION	DATE	APPROVED
1	ALL	A	50242	PIN, PIN SPRING & FORMAT UPDATE	11/1/2017	HRC

**SOCKET,  
(BRASS  
CHROME PLATED)**



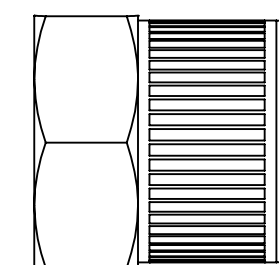
**LATCH HARDWARE,  
(STAINLESS STEEL)**



**1/2\"/>**

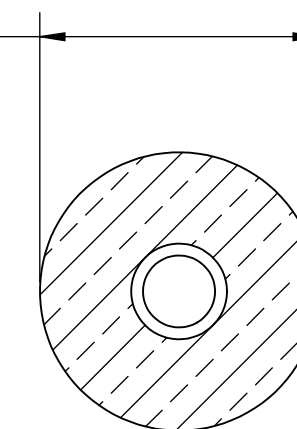
**PANEL NUT,  
(BRASS, NICKEL PLATED)  
(PACKAGED SEPARATELY)**

**1/4\"/>**



**PTF NUT,  
(BRASS, NICKEL PLATED)  
(PACKAGED SEPARATELY)**

[12.3<sup>+0.3</sup>  
0]  
Ø 0.48<sup>+0.01</sup>  
-0.00



**PANEL OPENING**

**FOR REFERENCE ONLY**

**NOTES:**

- MATERIAL: BRASS
- COLOR: CHROME

UNLESS OTHERWISE SPECIFIED:		NAME	DATE	
DIMENSIONS ARE IN INCHES TOLERANCES: FRACTIONAL ± 1/32 ANGULAR, MACH ± 0.5 BEND ± 2 ONE PLACE DECIMAL ± 0.1 TWO PLACE DECIMAL ± 0.01 THREE PLACE DECIMAL ± 0.005 TWO PLACE DUAL (mm) [± 0.12]		DRAWN	RDA 8/16/2017	
PROPRIETARY AND CONFIDENTIAL		CHECKED	HRC 8/16/2017	
THE INFORMATION CONTAINED IN THIS DRAWING IS THE SOLE PROPERTY OF LINKTECH LLC. ANY REPRODUCTION OR DISCLOSURE IN PART OR AS A WHOLE WITHOUT THE WRITTEN PERMISSION OF LINKTECH LLC IS STRICTLY PROHIBITED.		ENG APPR.	HRC 11-01-17	
		MFG APPR.	BDB 11-01-17	
		PURCHASING	RK 11-01-17	DESCRIPTION: <b>LinkTech 20CB Series Panel Mt Female, Non-valved, 250 PTF, Chrome Brass</b>
		COMMENTS:		SIZE DWG. NO. REV <b>C 20CB200156 A</b>
				SCALE: NTS WEIGHT: SHEET 1 OF 1