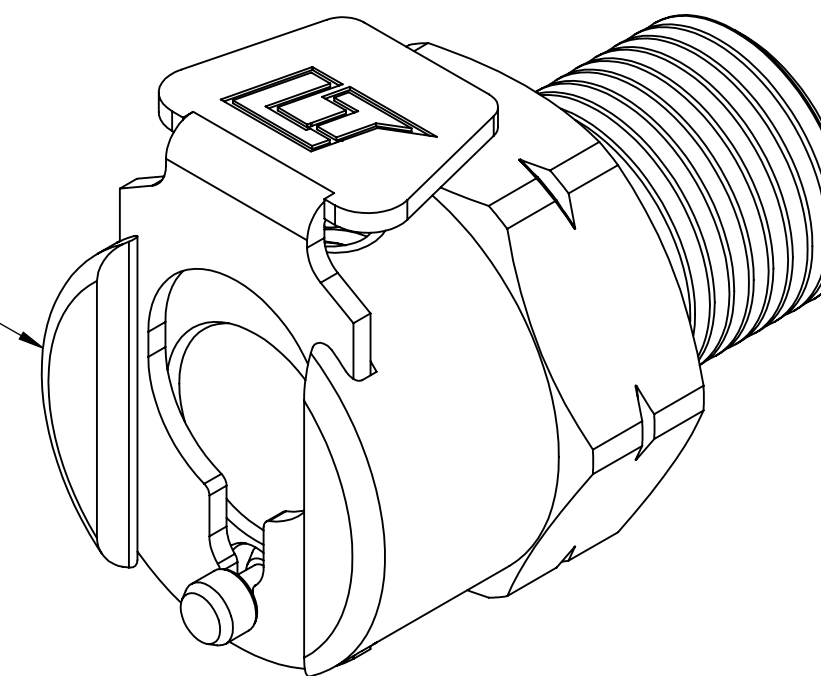
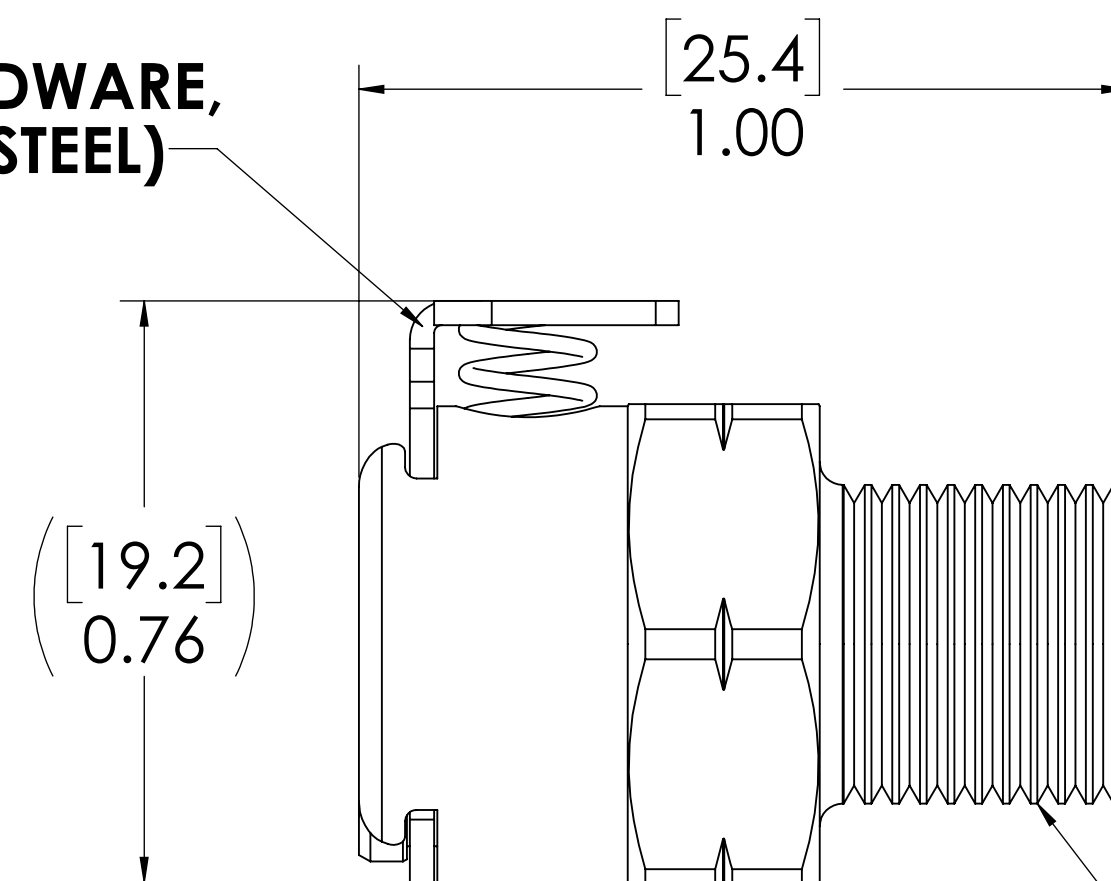


REVISIONS						
SHEET	ZONE	REV.	ECO	DESCRIPTION	DATE	APPROVED
1	ALL	A	50011	ADDED BSPT ID CUT	8/23/2012	HRC
1	ALL	B	50242	PIN, PIN SPRING & 2017 FORMAT UPDATE	6/28/2018	HRC

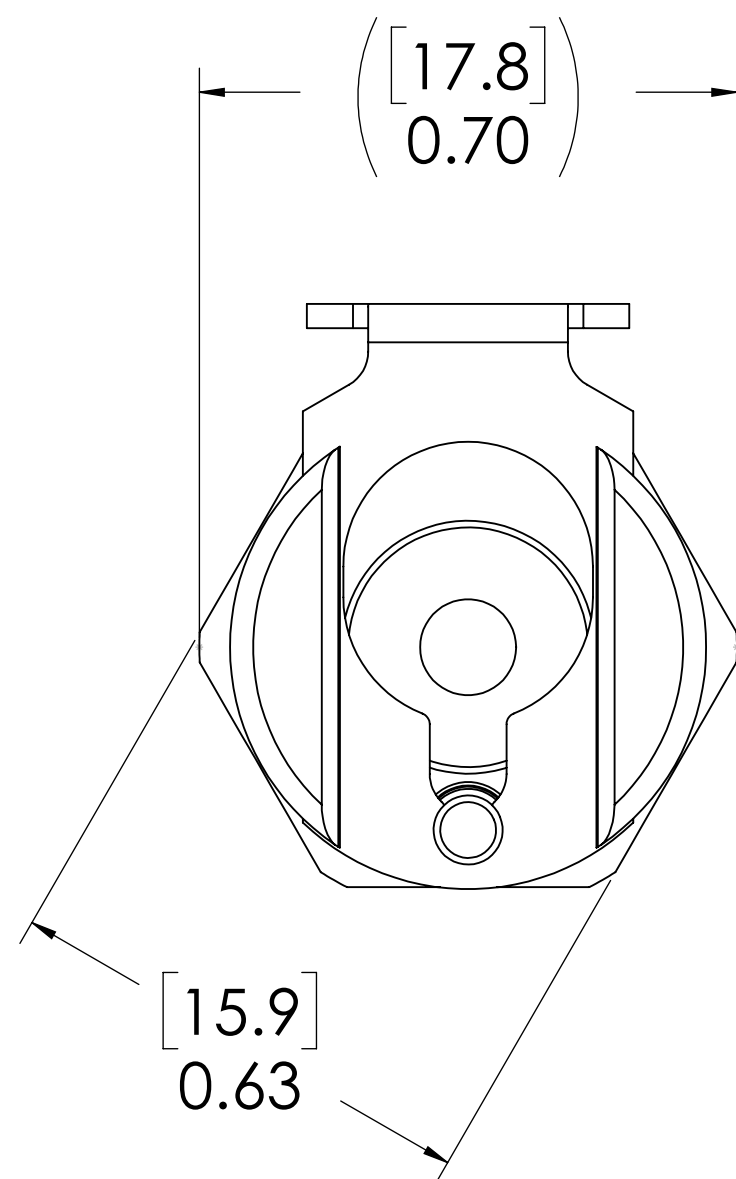
**SOCKET,
(BRASS, NICKEL
AND CHROME PLATED)**



**LATCH HARDWARE,
(STAINLESS STEEL)**



**1/8" BSPT
(PIPE THREAD)**



FOR REFERENCE ONLY

- NOTES:**
- MATERIAL: BRASS
 - FINISH: CHROME

<small>UNLESS OTHERWISE SPECIFIED: DIMENSIONS ARE IN INCHES TOLERANCES: FRACTIONAL ± 1/32 ANGULAR: MACH ± 0.5 BEND ± 2 ONE PLACE DECIMAL ± 0.1 TWO PLACE DECIMAL ± 0.01 THREE PLACE DECIMAL ± 0.005 TWO PLACE DUAL (mm) [± 0.12]</small>	DRAWN	HRC	7/11/2017	
	CHECKED	CBH	7/11/17	
	ENG APPR.	HRC	6/28/18	
	MFG APPR.	BDB	6/28/18	
PRODUCTION	LS	6/28/18		PART NO: 20CB-S1-02BSPT DESCRIPTION: LinkTech 20CB Series Male Thread Female, Non-valved, 125 BSPT, Chrome Brass
<small>PROPRIETARY AND CONFIDENTIAL THE INFORMATION CONTAINED IN THIS DRAWING IS THE SOLE PROPERTY OF LINKTECH LLC. ANY REPRODUCTION OR DISCLOSURE IN PART OR AS A WHOLE WITHOUT THE WRITTEN PERMISSION OF LINKTECH LLC IS STRICTLY PROHIBITED.</small>	COMMENTS:			SIZE DWG. NO. REV C 20CB200081 B
				SCALE: NTS WEIGHT: SHEET 1 OF 1