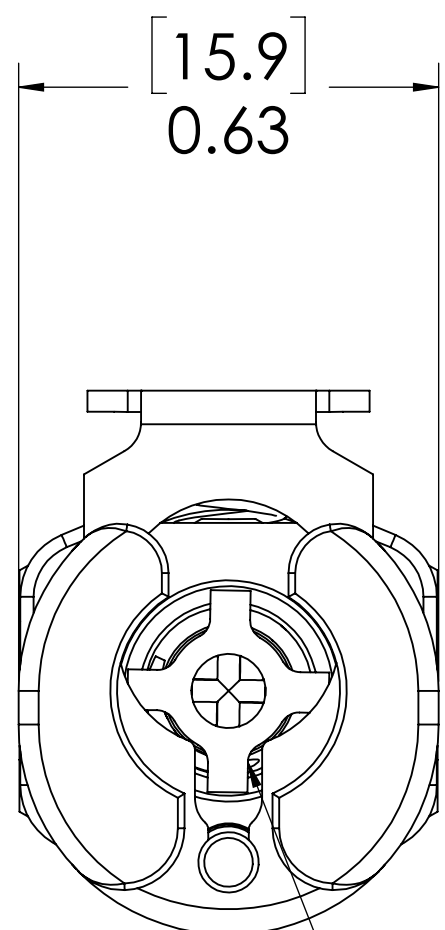
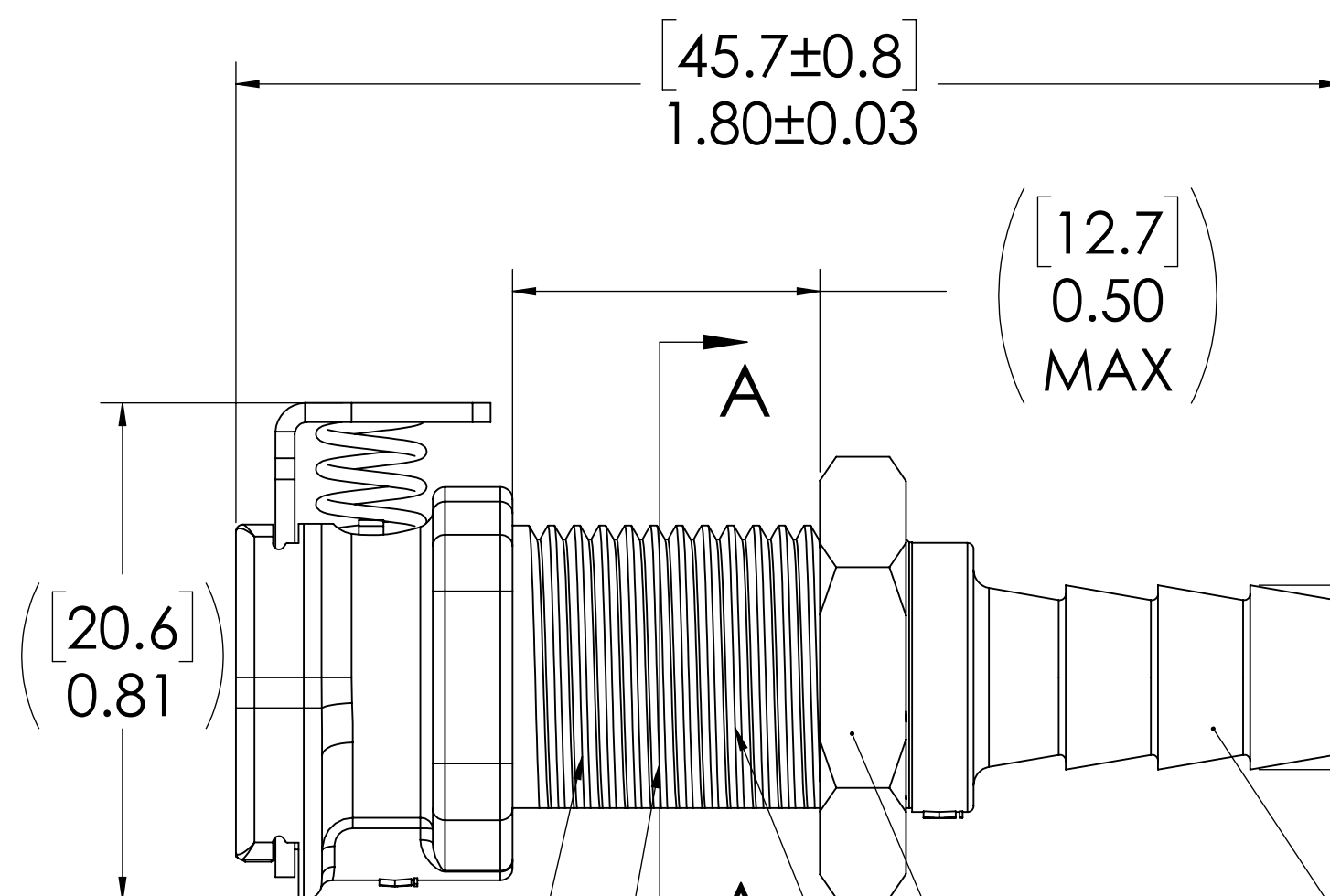


REVISIONS						
SHEET	ZONE	REV.	ECO	DESCRIPTION	DATE	APPROVED
1	ALL	A	50242	UPDATE DWG TO CURRENT FORMAT & STANDARDS	7/24/2018	HRC



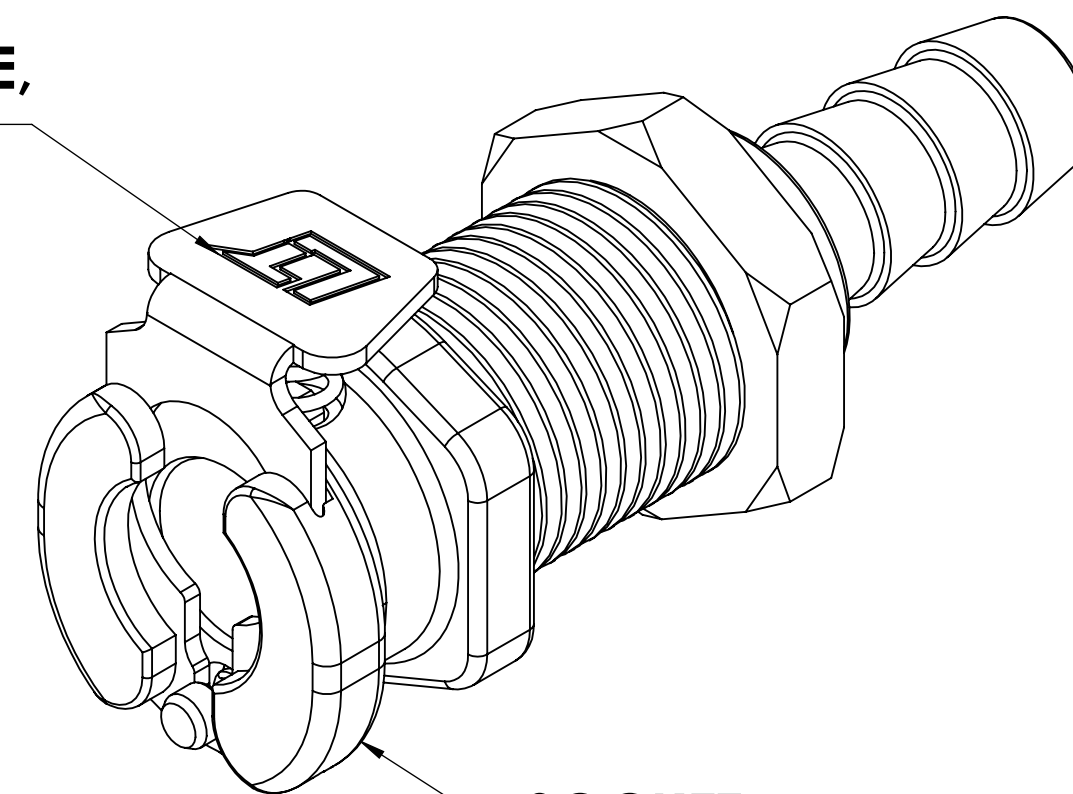
**VALVE,  
(ACETAL)**



**VALVE O-RING,  
INTERNAL  
(BUNA-N)**

**VALVE SPRING,  
INTERNAL  
(STAINLESS STEEL)**

**LATCH HARDWARE,  
(STAINLESS STEEL)**



**SOCKET,  
(ACETAL)**

**1/4" TUBE ID**

**PANEL NUT,  
(BRASS, NICKEL PLATED)  
(PACKAGED SEPARATELY)**

**1/2"-24 THREAD**

**PANEL OPENING  
(SECTION A-A)**

**FOR REFERENCE ONLY**

**NOTES:**

- MATERIAL: ACETAL
- COLOR: NATURAL WHITE
- O-RING MATERIAL: BUNA-N
- O-RINGS LUBRICATED WITH FOOD GRADE SILICONE OIL, 350 CST.

UNLESS OTHERWISE SPECIFIED:		NAME	DATE	<b>LINKTECH</b> ANALOGOUS COMPANY
DIMENSIONS ARE IN INCHES TOLERANCES: FRACTIONAL ±1/32 ANGULAR: MACH ±0.5 BEND ±2 ONE PLACE DECIMAL ±0.1 TWO PLACE DECIMAL ±0.01 THREE PLACE DECIMAL ±0.005 TWO PLACE DUAL (mm) [±0.12]		DRAWN	ER 09-20-17	
		CHECKED	HRC 09-20-17	
		ENG APPR.	HRC 7/24/18	
		MFG APPR.	BDB 7/24/18	
PROPRIETARY AND CONFIDENTIAL		PRODUCTION	LS 7/24/18	DESCRIPTION: <b>LinkTech 20AC Series Panel Mt. Female, Valved, 1/4" HB, Natural Acetal</b>
THE INFORMATION CONTAINED IN THIS DRAWING IS THE SOLE PROPERTY OF LINKTECH LLC. ANY REPRODUCTION OR DISCLOSURE IN PART OR AS A WHOLE WITHOUT THE WRITTEN PERMISSION OF LINKTECH LLC IS STRICTLY PROHIBITED.		COMMENTS:		
SIZE	DWG. NO.	REV		
C	20AC200329	A		
SCALE: NTS	WEIGHT:			SHEET 1 OF 1