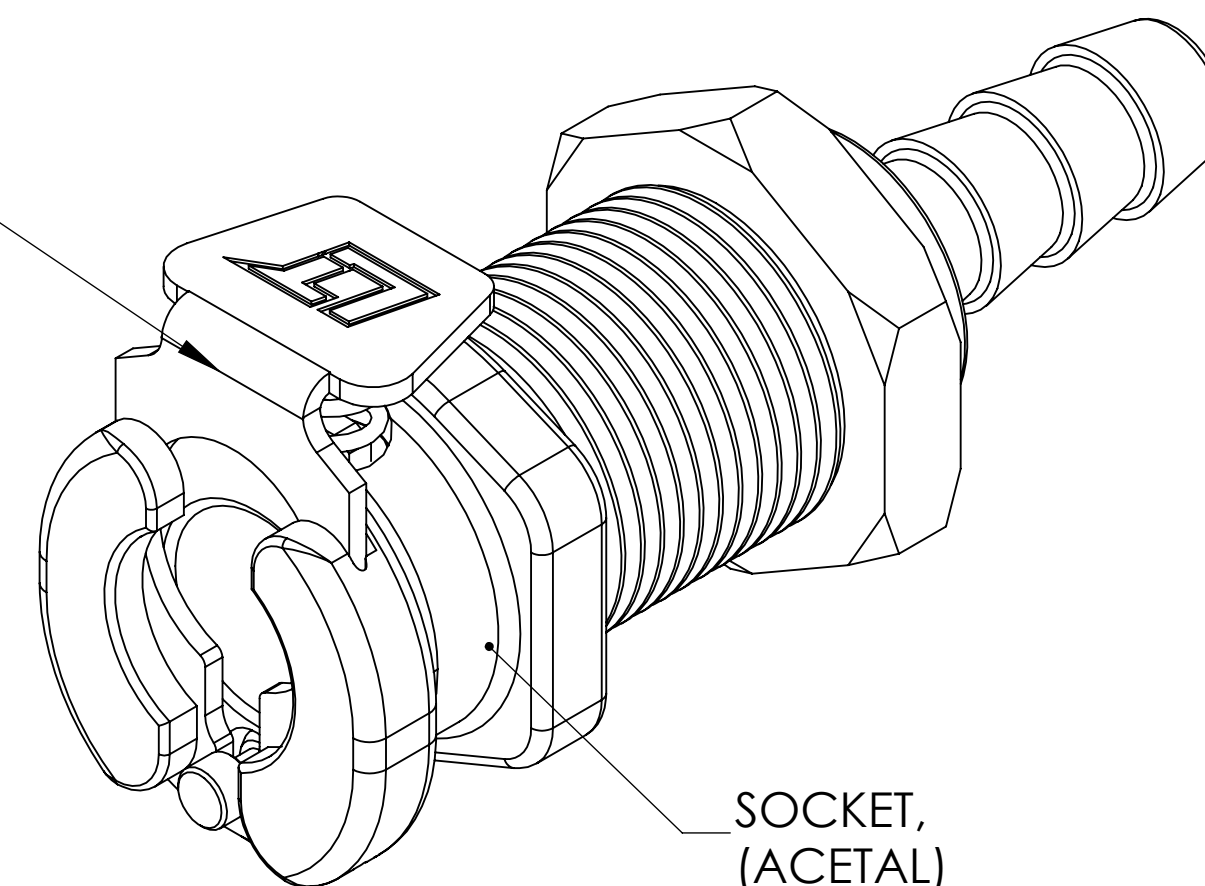
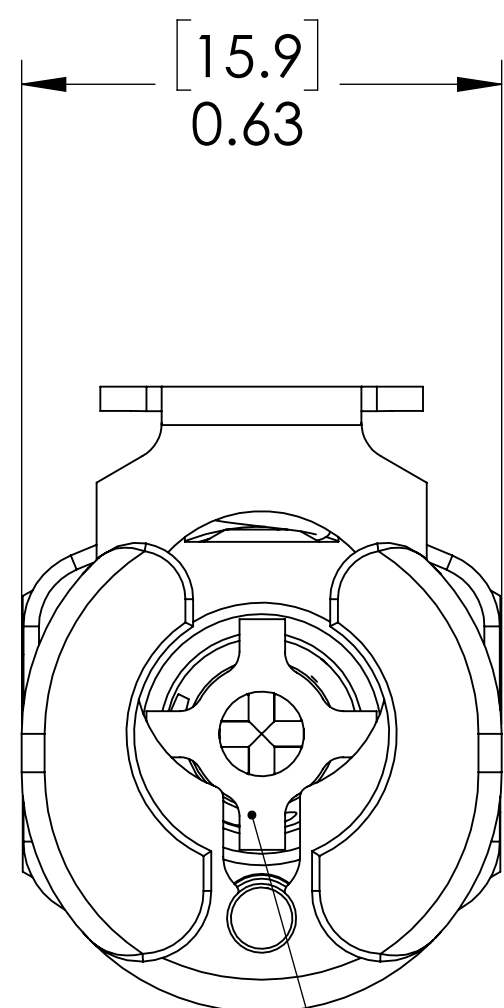


REVISIONS						
SHEET	ZONE	REV.	ECO	DESCRIPTION	DATE	APPROVED
1	ALL	A	50242	UPDATE DWG TO CURRENT FORMAT & STANDARDS	8/31/2017	HRC

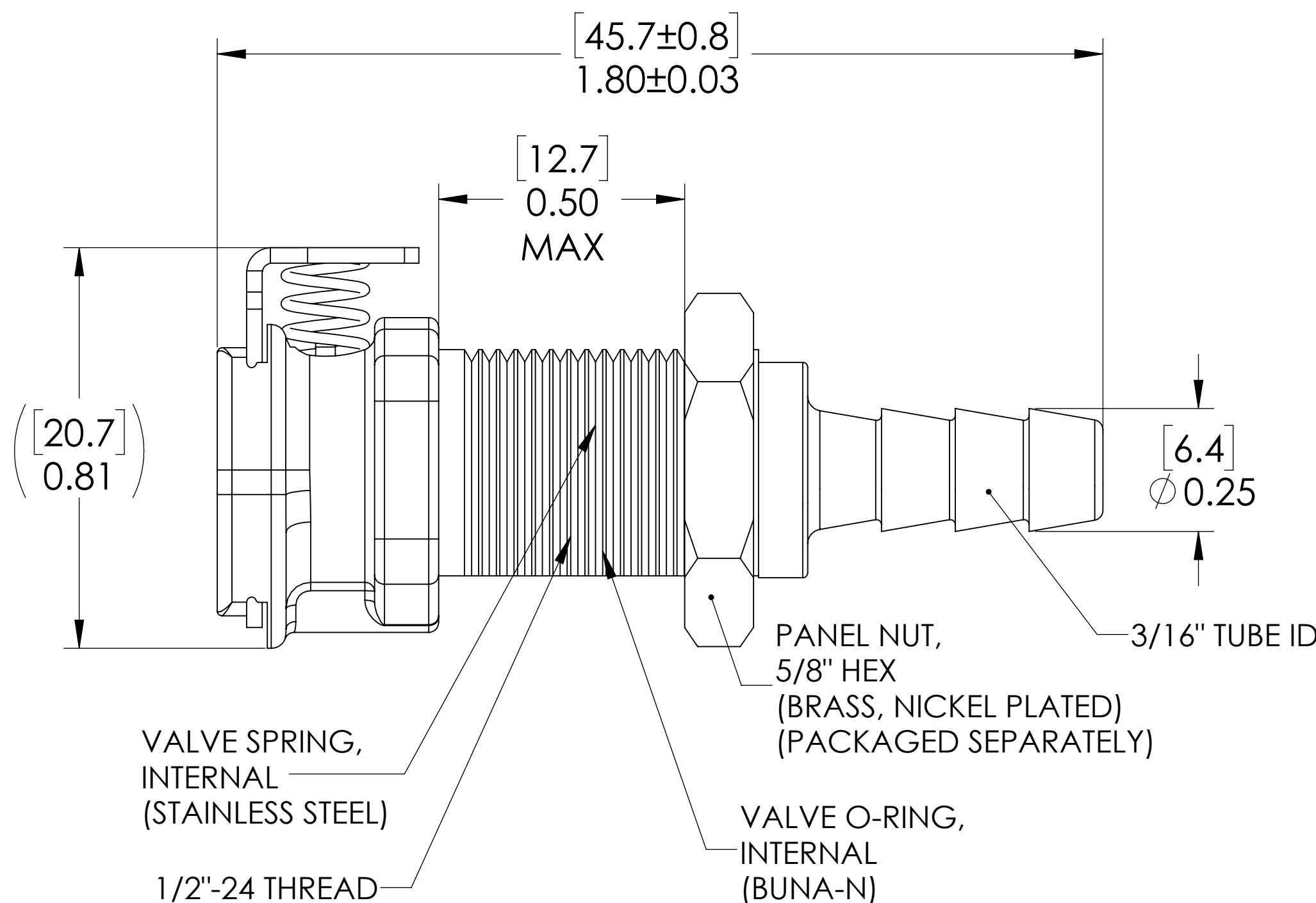
LATCH HARDWARE,
(STAINLESS STEEL)



SOCKET,
(ACETAL)



VALVE,
(ACETAL)



PANEL OPENING

NOTES:

1. MATERIAL: ACETAL
2. COLOR: NATURAL WHITE
3. O-RING MATERIAL: BUNA-N
4. O-RINGS LUBRICATED WITH FOOD GRADE SILICONE OIL, 350 CST.

FOR REFERENCE ONLY

UNLESS OTHERWISE SPECIFIED:		NAME	DATE	
DIMENSIONS ARE IN INCHES TOLERANCES: FRACTIONAL ±1/32 ANGULAR: MACH ±0.5 BEND ±2 ONE PLACE DECIMAL ±0.1 TWO PLACE DECIMAL ±0.01 THREE PLACE DECIMAL ±0.005 TWO PLACE DUAL (mm) [±0.12]		DRAWN	ER	
PROPRIETARY AND CONFIDENTIAL THE INFORMATION CONTAINED IN THIS DRAWING IS THE SOLE PROPERTY OF LINKTECH LLC. ANY REPRODUCTION OR DISCLOSURE IN PART OR AS A WHOLE WITHOUT THE WRITTEN PERMISSION OF LINKTECH LLC IS STRICTLY PROHIBITED.		CHECKED	CKE	8/30/17
		ENG APPR.	HRC	8/31/17
		MFG APPR.	BDB	8/31/17
Q.A.		JJB	8/31/17	PART NO: 20ACV-SB3-03
COMMENTS:				
DESCRIPTION: LinkTech 20AC Series Panel Mt. Female, Valved, 3/16" HB, Natural Acetal		SIZE	DWG. NO.	REV
		C	20AC200150	A
SCALE: NTS		WEIGHT:	SHEET 1 OF 1	