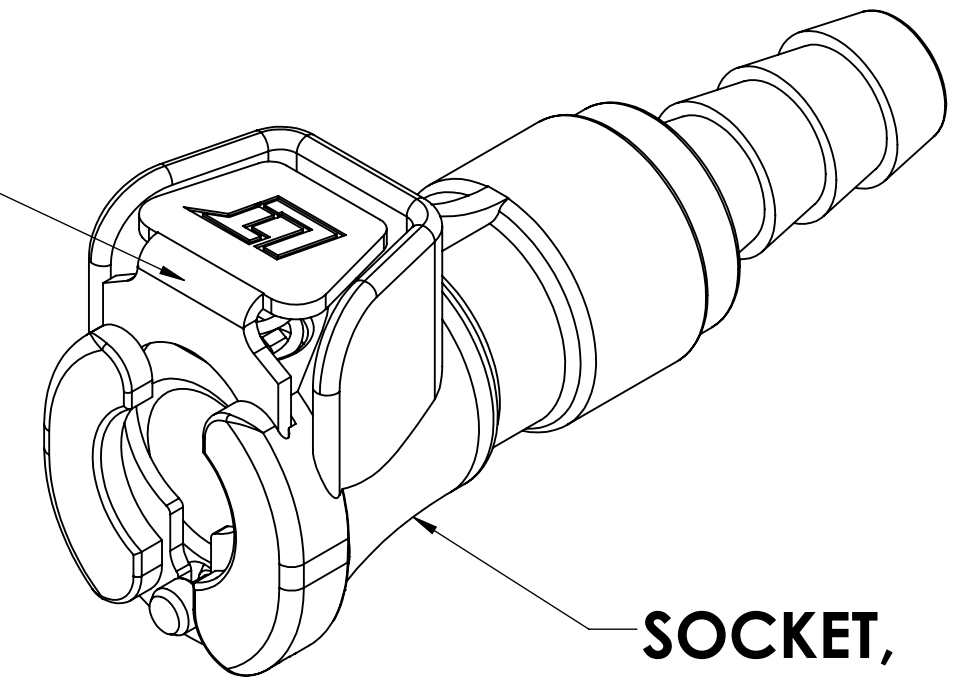
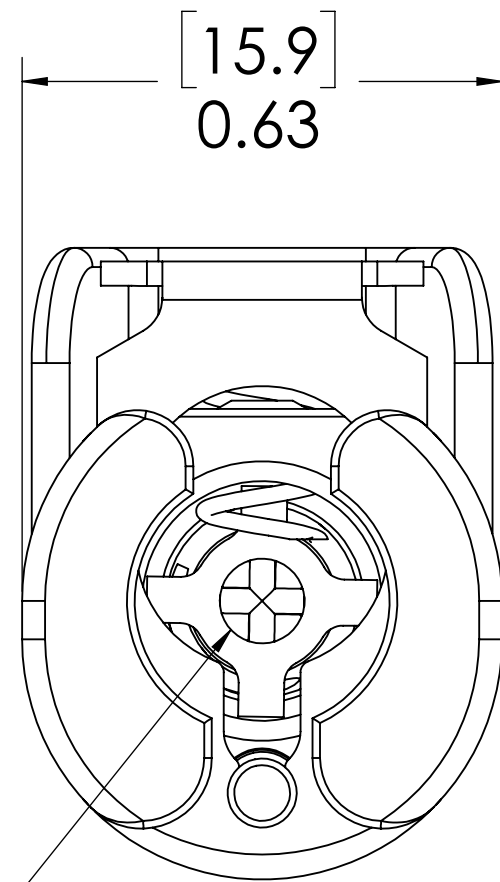


REVISIONS						
SHEET	ZONE	REV.	ECO	DESCRIPTION	DATE	APPROVED
1	ALL	A	50242	PIN, PIN SPRING & FORMAT UPDATE	10/25/2017	HRC

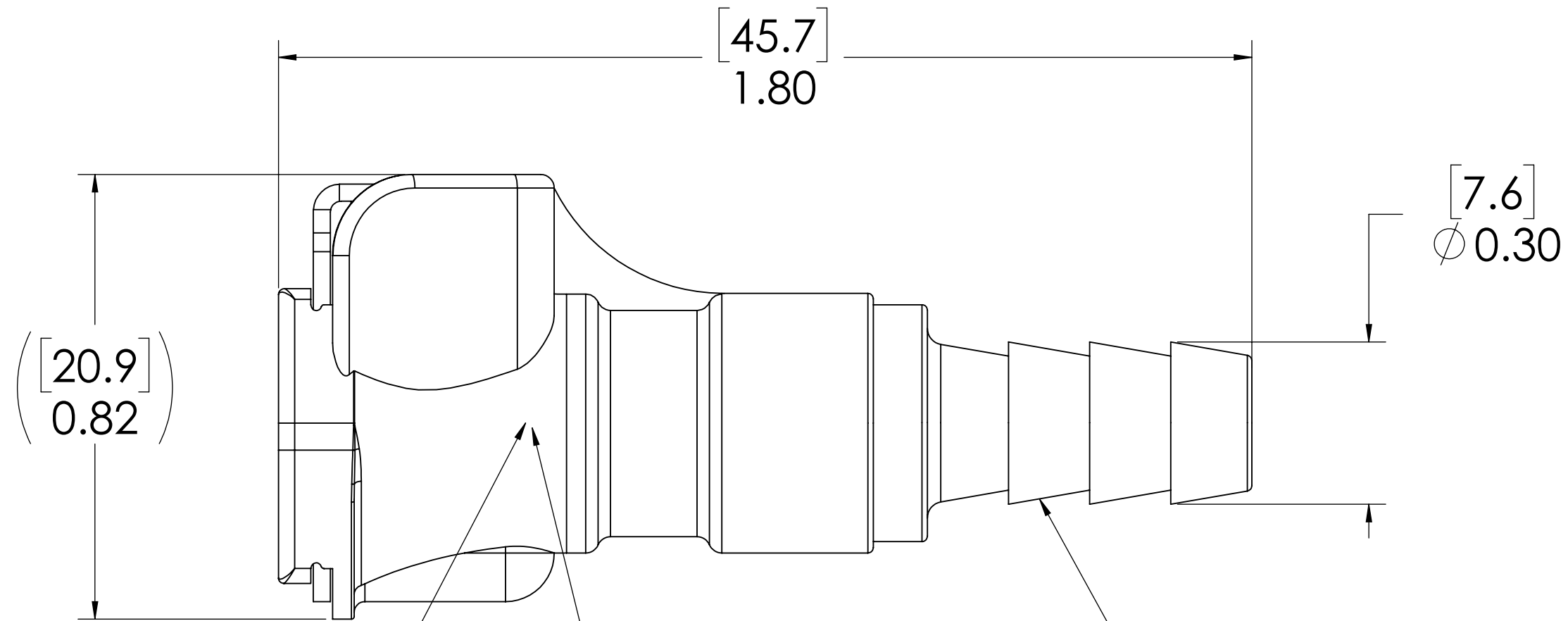
**LATCH HARDWEAR,
(STAINLESS STEEL)**



**SOCKET,
(ACETAL)**



**VALVE,
(ACETAL)**



**INTERNAL
O-RING,
(BUNA-N)**

**INTERNAL
SPRING,
(STAINLESS STEEL)**

1/4" TUBE ID

NOTES:

- MATERIAL: ACETAL
- COLOR: NATURAL WHITE
- O-RING MATERIAL: BUNA-N
- O-RINGS LUBRICATED WITH FOOD GRADE SILICONE OIL, 350 CST.

FOR REFERENCE ONLY

UNLESS OTHERWISE SPECIFIED:		NAME	DATE	
DIMENSIONS ARE IN INCHES		DRAWN	RDA	
TOLERANCES:		CHECKED	HRC	8/16/2016
FRACTIONAL ± 1/32		ENG APPR.	HRC	10-25-17
ANGULAR: MACH ± 0.5 BEND ± 2		MFG APPR.	BDB	10-25-17
ONE PLACE DECIMAL ± 0.1		Q.A.	JJB	10-25-17
TWO PLACE DECIMAL ± 0.01		COMMENTS:		
THREE PLACE DECIMAL ± 0.005				
TWO PLACE DUAL (mm) [± 0.12]				
PROPRIETARY AND CONFIDENTIAL				
THE INFORMATION CONTAINED IN THIS DRAWING IS THE SOLE PROPERTY OF LINKTECH LLC. ANY REPRODUCTION OR DISCLOSURE IN PART OR AS A WHOLE WITHOUT THE WRITTEN PERMISSION OF LINKTECH LLC IS STRICTLY PROHIBITED.				
		PART NO:		20ACV-SB2-04
		DESCRIPTION:		LinkTech 20AC Series Straight Female, Valved, 250 HB, Natural Acetal
SIZE	DWG. NO.	REV		
C	20AC200319	A		
SCALE: NTS	WEIGHT:	SHEET 1 OF 1		