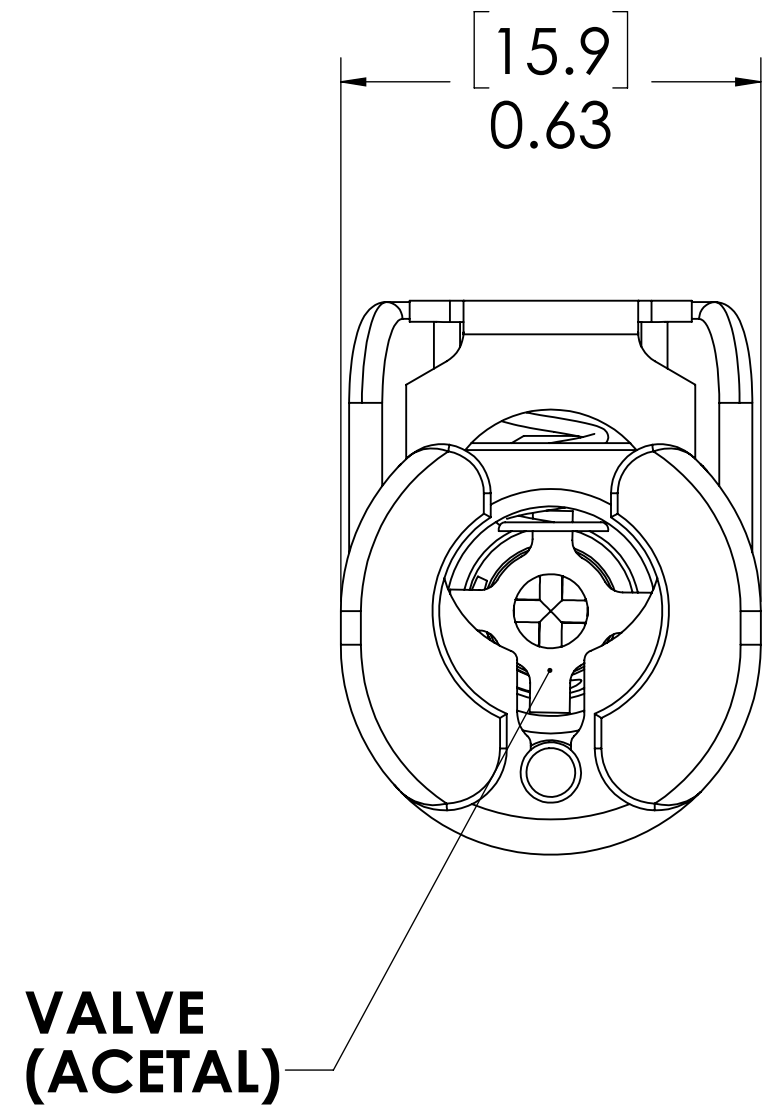
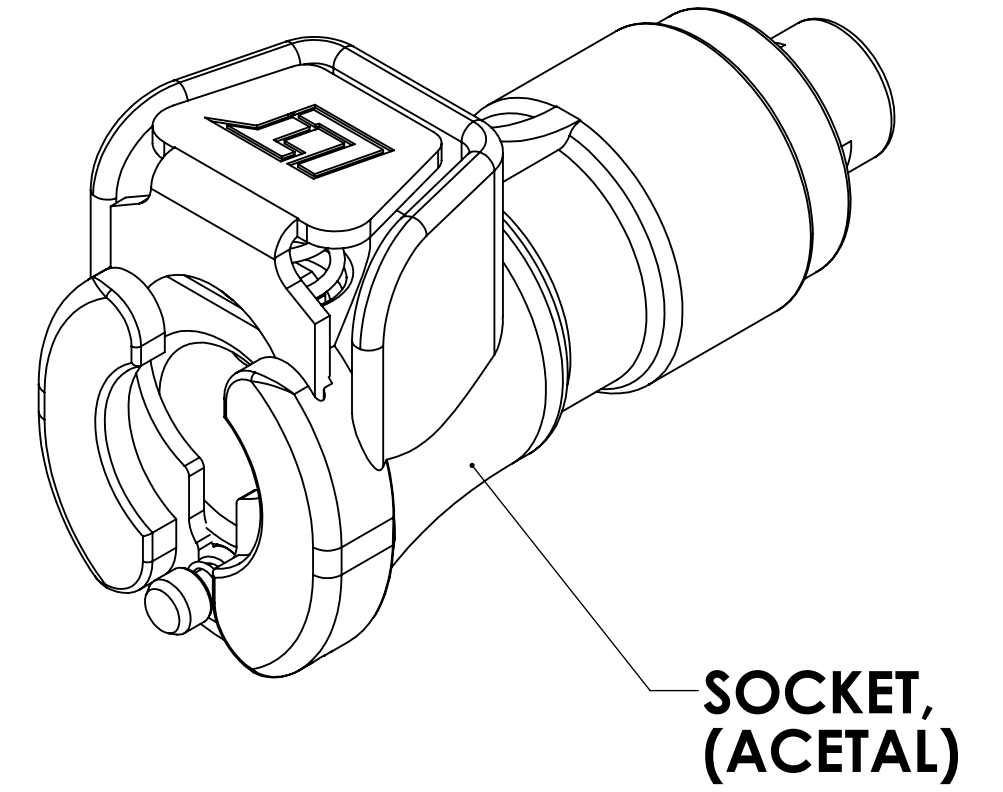
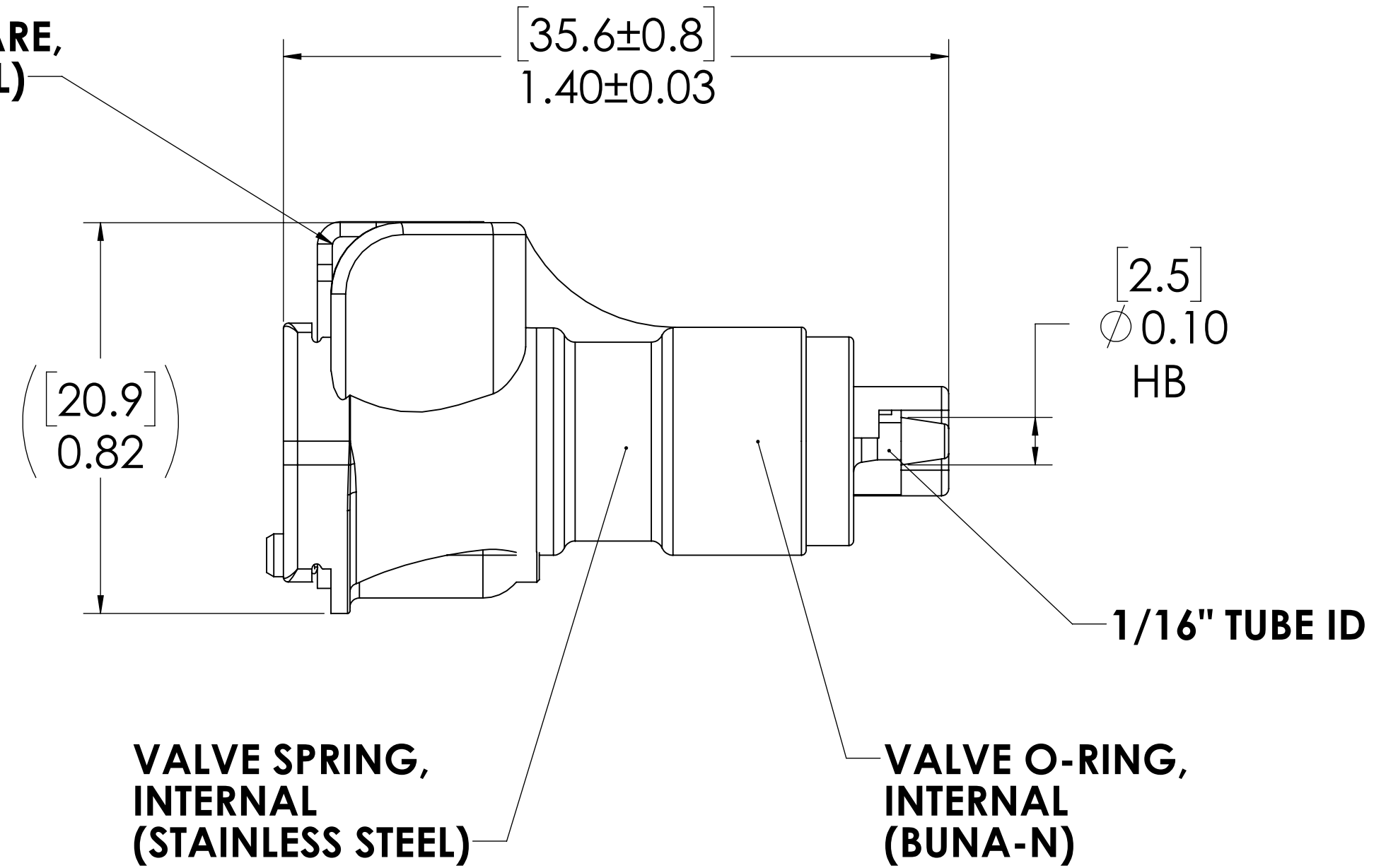


REVISIONS						
SHEET	ZONE	REV.	ECO	DESCRIPTION	DATE	APPROVED
1	All	A	50242	UPDATE DWG TO CURRENT FORMAT & STANDARDS	10/12/2018	HRC



**LATCH HARDWARE,  
(STAINLESS STEEL)**



**VALVE SPRING,  
INTERNAL  
(STAINLESS STEEL)**

**VALVE O-RING,  
INTERNAL  
(BUNA-N)**

**NOTES:**

- MATERIAL: ACETAL
- COLOR: NATURAL WHITE
- O-RING MATERIAL: BUNA-N
- O-RINGS LUBRICATED WITH FOOD GRADE SILICONE OIL, 350 CST.

**FOR REFERENCE ONLY**

UNLESS OTHERWISE SPECIFIED: DIMENSIONS ARE IN INCHES TOLERANCES: FRACTIONAL ± 1/32 ANGULAR: MACH ± 0.5 BEND ± 2 ONE PLACE DECIMAL ± 0.1 TWO PLACE DECIMAL ± 0.01 THREE PLACE DECIMAL ± 0.005 TWO PLACE DUAL (mm) [± 0.12]	DRAWN	ER	09-22-17	<b>LINKTECH</b> PART NO: 20ACV-SB2-01
	CHECKED	HRC	09-22-17	
PROPRIETARY AND CONFIDENTIAL THE INFORMATION CONTAINED IN THIS DRAWING IS THE SOLE PROPERTY OF LINKTECH LLC. ANY REPRODUCTION OR DISCLOSURE IN PART OR AS A WHOLE WITHOUT THE WRITTEN PERMISSION OF LINKTECH LLC IS STRICTLY PROHIBITED.	ENG APPR.	HRC	10/12/18	DESCRIPTION: <b>LinkTech 20AC Series Straight Female, Valved, 1/16" HB, Blue, Acetal</b>
	MFG APPR.	BDB	10/12/18	
	PRODUCTION	LS	10/12/18	
	COMMENTS:			SIZE DWG. NO. REV
				C 20AC200336 A
				SCALE: NTS WEIGHT: SHEET 1 OF 1