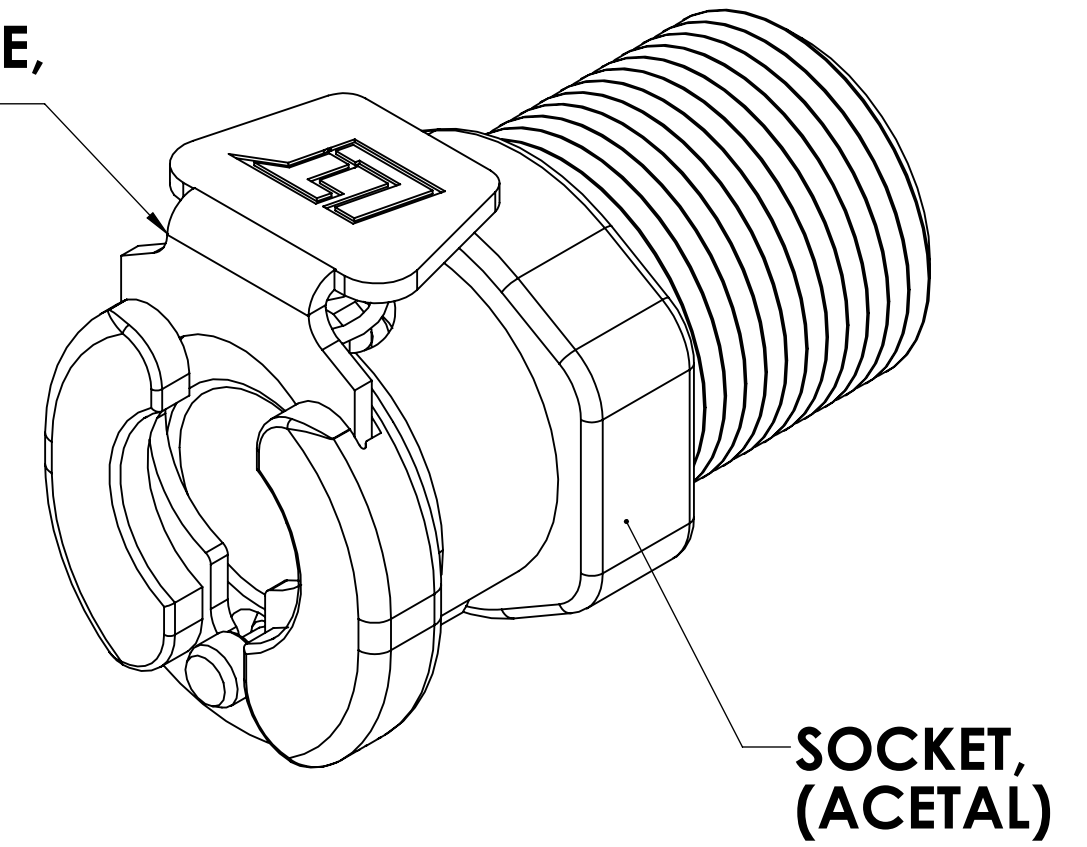
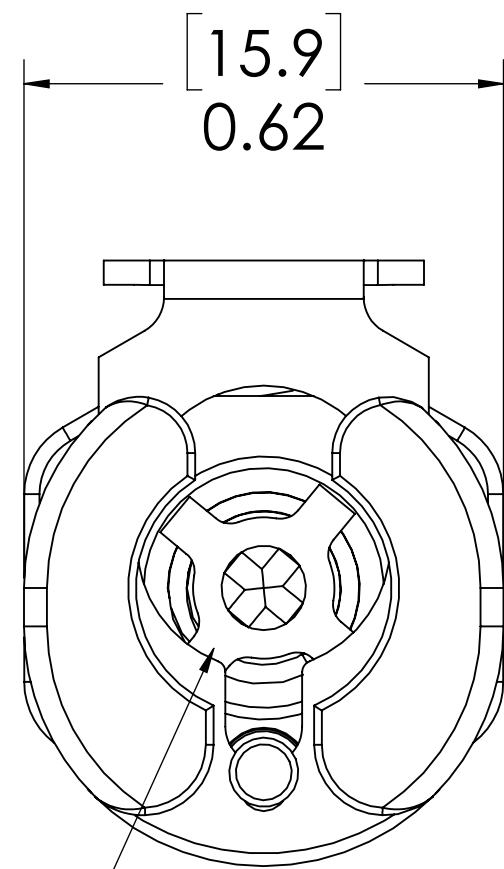


REVISIONS						
SHEET	ZONE	REV.	ECO	DESCRIPTION	DATE	APPROVED
1	ALL	A	50242	PIN, PIN SPRING & FORMAT UPDATE	1/9/2020	HRC

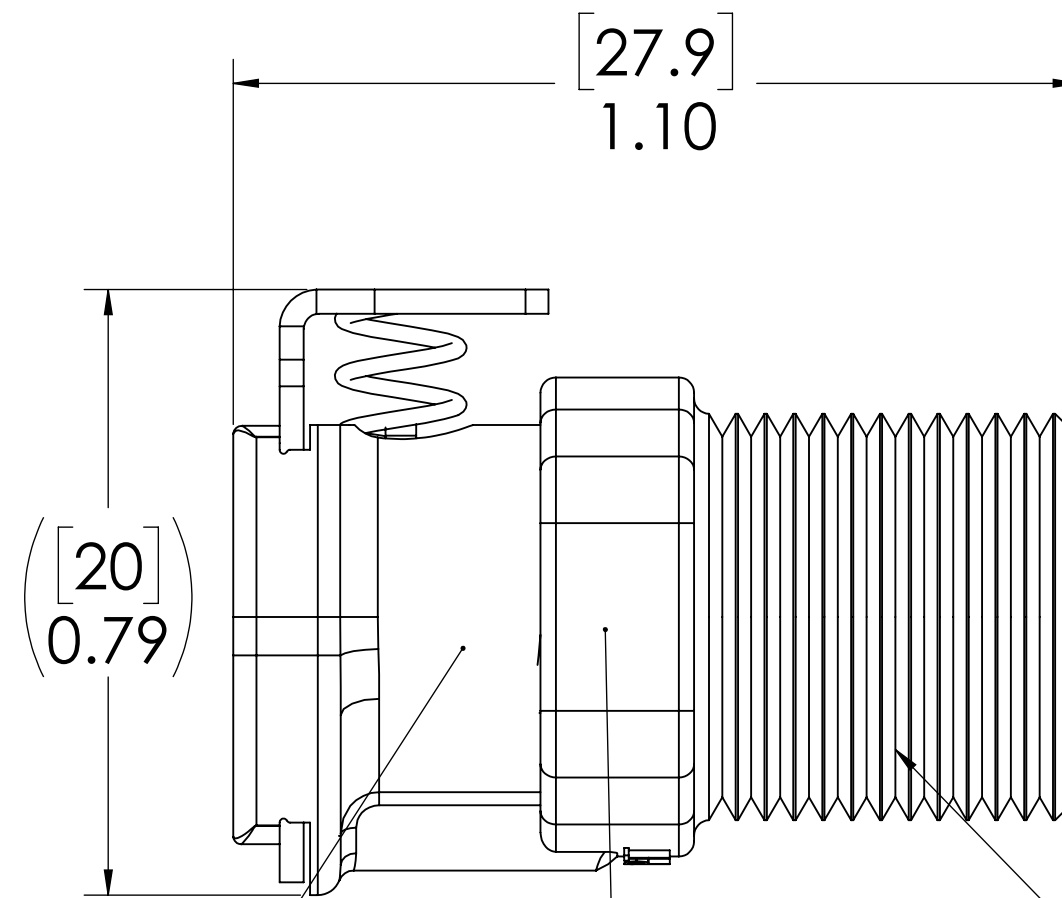
**LATCH HARDWARE,
(STAINLESS STEEL)**



**SOCKET,
(ACETAL)**



**VALVE,
(ACETAL)**



**VALVE SPRING,
INTERNAL
(STAINLESS STEEL)**

**VALVE O-RING,
INTERNAL
(BUNA-N)**

**1/4" BSPT
(PIPE THREAD)**

NOTES:

- MATERIAL: ACETAL
- COLOR: NATURAL WHITE
- O-RING MATERIAL: BUNA-N
- O-RINGS LUBRICATED WITH FOOD GRADE SILICONE OIL, 350 CST.

FOR REFERENCE ONLY

<small>UNLESS OTHERWISE SPECIFIED: DIMENSIONS ARE IN INCHES TOLERANCES: FRACTIONAL ± 1/32 ANGULAR: MACH ± 0.5 BEND ± 2 ONE PLACE DECIMAL ± 0.1 TWO PLACE DECIMAL ± 0.01 THREE PLACE DECIMAL ± 0.005 TWO PLACE DUAL (mm) [± 0.12]</small>	DRAWN	ER	10-25-17	
	CHECKED	HRC	10-25-17	
	ENG APPR.	HRC	1/9/20	
	MFG APPR.	BDB	1/9/20	
PRODUCTION	LS	1/9/20		PART NO: 20ACV-SB1-04BSPT DESCRIPTION: LinkTech 20AC Series Male Thread Female, Valved, 1/4" BSPT, Natural Acetal
<small>PROPRIETARY AND CONFIDENTIAL THE INFORMATION CONTAINED IN THIS DRAWING IS THE SOLE PROPERTY OF LINKTECH LLC. ANY REPRODUCTION OR DISCLOSURE IN PART OR AS A WHOLE WITHOUT THE WRITTEN PERMISSION OF LINKTECH LLC IS STRICTLY PROHIBITED.</small>	COMMENTS:		SIZE DWG. NO. REV C 20AC200377 A	SCALE: NTS WEIGHT: SHEET 1 OF 1