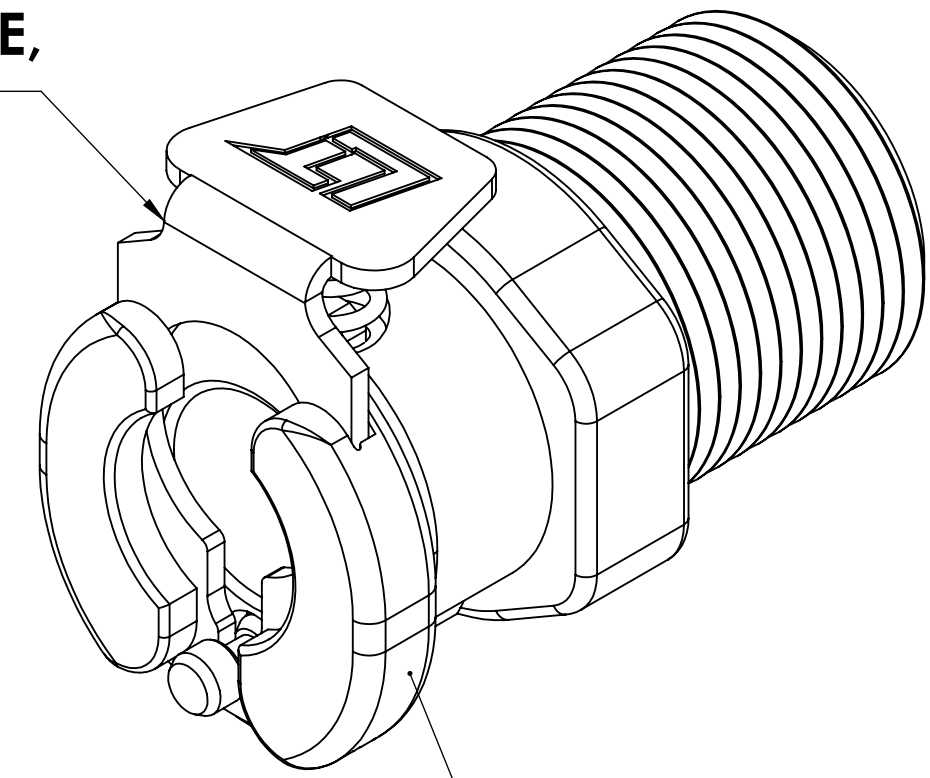
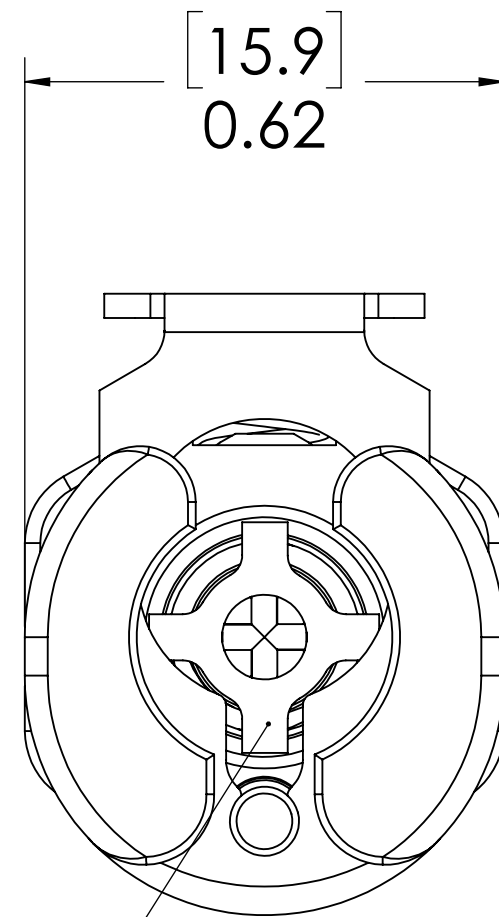


REVISIONS						
SHEET	ZONE	REV.	ECO	DESCRIPTION	DATE	APPROVED
1	ALL	A	50242	UPDATE DWG TO CURRENT FORMAT & STANDARDS	7/24/2018	HRC

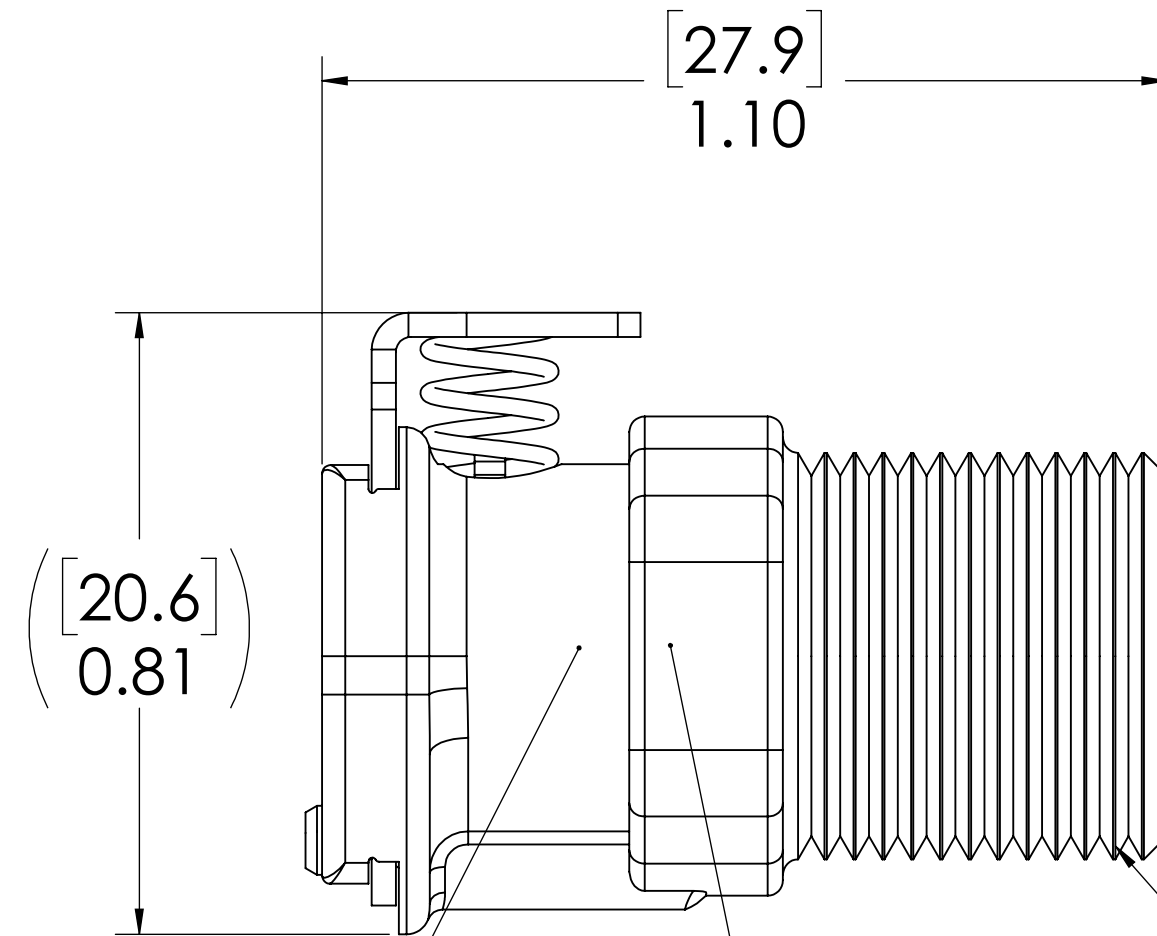
**LATCH HARDWARE,  
(STAINLESS STEEL)**



**SOCKET,  
(ACETAL)**



**VALVE,  
(ACETAL)**



**1/4" NPT THREAD**

**VALVE SPRING,  
INTERNAL  
(STAINLESS STEEL)**

**VALVE O-RING,  
INTERNAL  
(BUNA-N)**

**NOTES:**

- MATERIAL: ACETAL
- COLOR: NATURAL WHITE
- O-RING MATERIAL: BUNA-N
- O-RINGS LUBRICATED WITH FOOD GRADE SILICONE OIL, 350 CST.

**FOR REFERENCE ONLY**

<small>UNLESS OTHERWISE SPECIFIED: DIMENSIONS ARE IN INCHES TOLERANCES: FRACTIONAL ± 1/32 ANGULAR: MACH ± 0.5 BEND ± 2 ONE PLACE DECIMAL ± 0.1 TWO PLACE DECIMAL ± 0.01 THREE PLACE DECIMAL ± 0.005 TWO PLACE DUAL (mm) [± 0.12]</small>	DRAWN	ER	10-25-17	
	CHECKED	HRC	10-25-17	
	ENG APPR.	HRC	7/24/18	
	MFG APPR.	BDB	7/24/18	
PRODUCTION	LS	7/24/18		<b>PART NO:</b> 20ACV-SB1-04 <b>DESCRIPTION:</b> LinkTech 20AC Series Male Thread Female, Valved, 1/4" MNPT, Natural Acetal
<small>PROPRIETARY AND CONFIDENTIAL THE INFORMATION CONTAINED IN THIS DRAWING IS THE SOLE PROPERTY OF LINKTECH LLC. ANY REPRODUCTION OR DISCLOSURE IN PART OR AS A WHOLE WITHOUT THE WRITTEN PERMISSION OF LINKTECH LLC IS STRICTLY PROHIBITED.</small>	COMMENTS:			<b>SIZE</b> DWG. NO. <b>REV</b> <b>C</b> 20AC200374 <b>A</b>
SCALE: NTS		WEIGHT:	SHEET 1 OF 1	