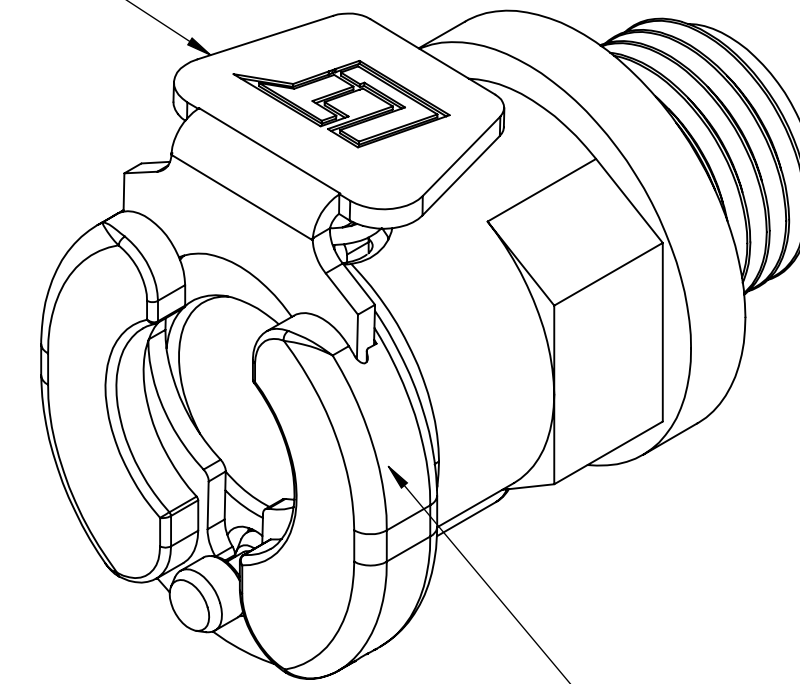
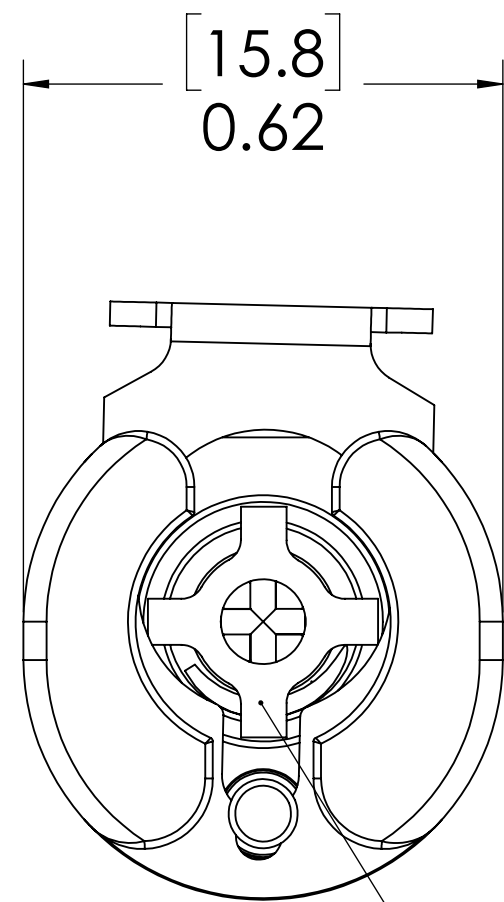


REVISIONS						
SHEET	ZONE	REV.	ECO	DESCRIPTION	DATE	APPROVED
1	ALL	A	50242	UPDATE DWG TO CURRENT FORMAT & STANDARDS	7/18/2018	HRC

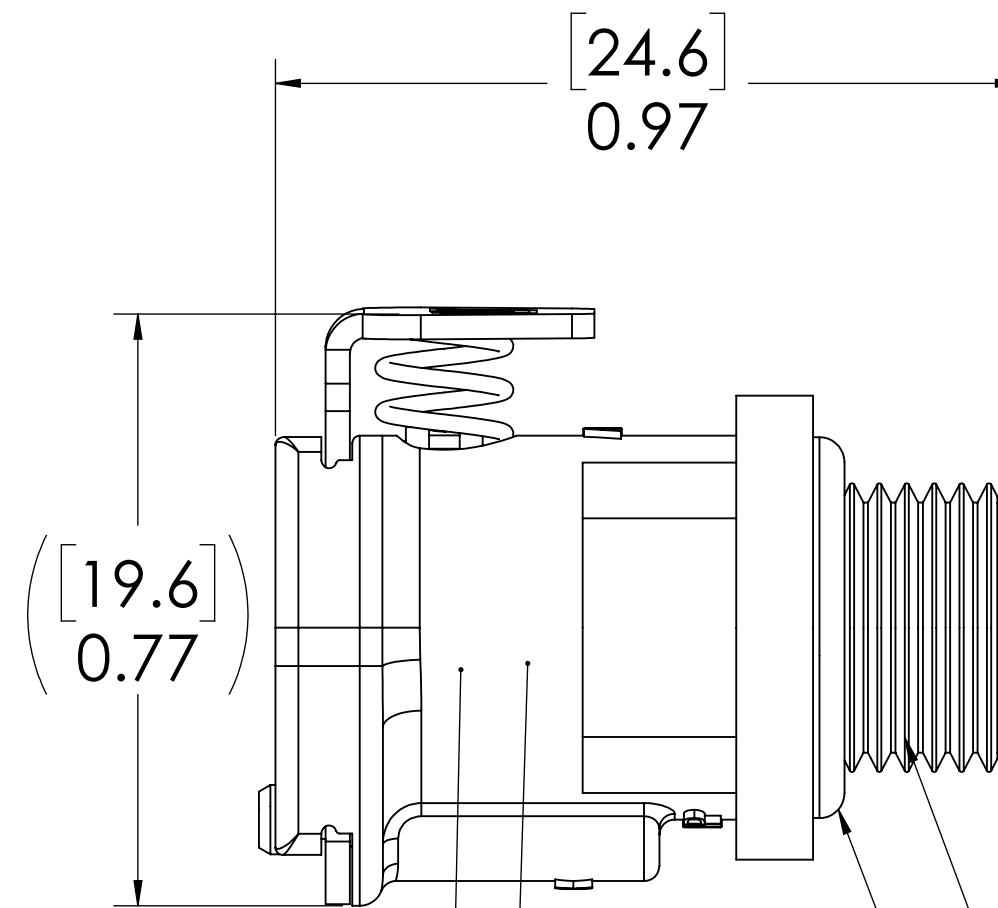
**LATCH HARDWARE,
(STAINLESS STEEL)**



**SOCKET,
(ACETAL)**



**VALVE,
(ACETAL)**



**VALVE O-RING,
INTERNAL
(BUNA-N)**

**VALVE SPRING,
INTERNAL
(STAINLESS STEEL)**

1/8" BSPP THREAD

**RING SEAL
(BUNA-N)**

NOTES:

- MATERIAL: ACETAL
- COLOR: NATURAL WHITE
- O-RING MATERIAL: BUNA-N
- O-RINGS LUBRICATED WITH FOOD GRADE SILICONE OIL, 350 CST.

FOR REFERENCE ONLY

<small>UNLESS OTHERWISE SPECIFIED: DIMENSIONS ARE IN INCHES TOLERANCES: FRACTIONAL ± 1/32 ANGULAR: MACH ± 0.5 BEND ± 2 ONE PLACE DECIMAL ± 0.1 TWO PLACE DECIMAL ± 0.01 THREE PLACE DECIMAL ± 0.005 TWO PLACE DUAL (mm) [± 0.12]</small>	DRAWN	ER	08-18-17	
	CHECKED	HRC	08-18-17	
	ENG APPR.	HRC	7/18/18	
	MFG APPR.	BDB	7/18/18	
PRODUCTION	LS	7/18/18		PART NO: 20ACV-SB1-02UT DESCRIPTION: LinkTech 20AC Series Male Thread Female, Valved, 1/8" Universal Thread, Natural Acetal
<small>PROPRIETARY AND CONFIDENTIAL THE INFORMATION CONTAINED IN THIS DRAWING IS THE SOLE PROPERTY OF LINKTECH LLC. ANY REPRODUCTION OR DISCLOSURE IN PART OR AS A WHOLE WITHOUT THE WRITTEN PERMISSION OF LINKTECH LLC IS STRICTLY PROHIBITED.</small>	COMMENTS:			SIZE DWG. NO. REV C 20AC200316 A
	SCALE: NTS	WEIGHT:		SHEET 1 OF 1