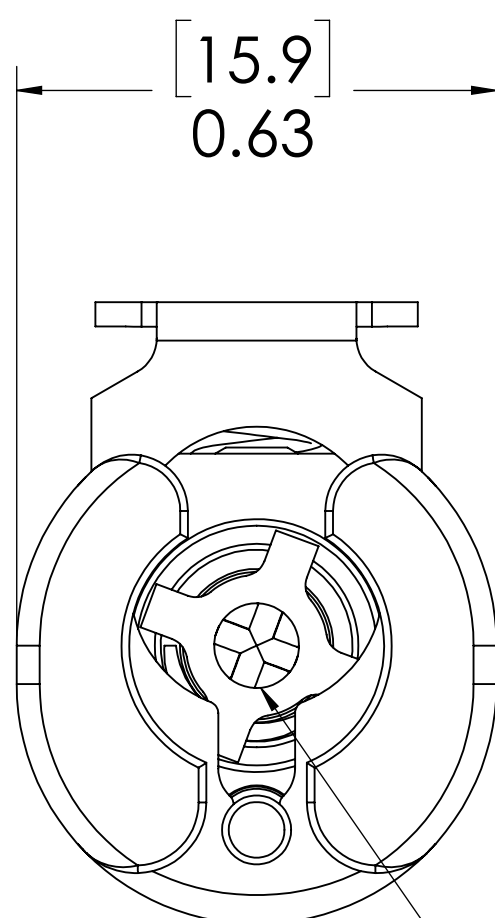
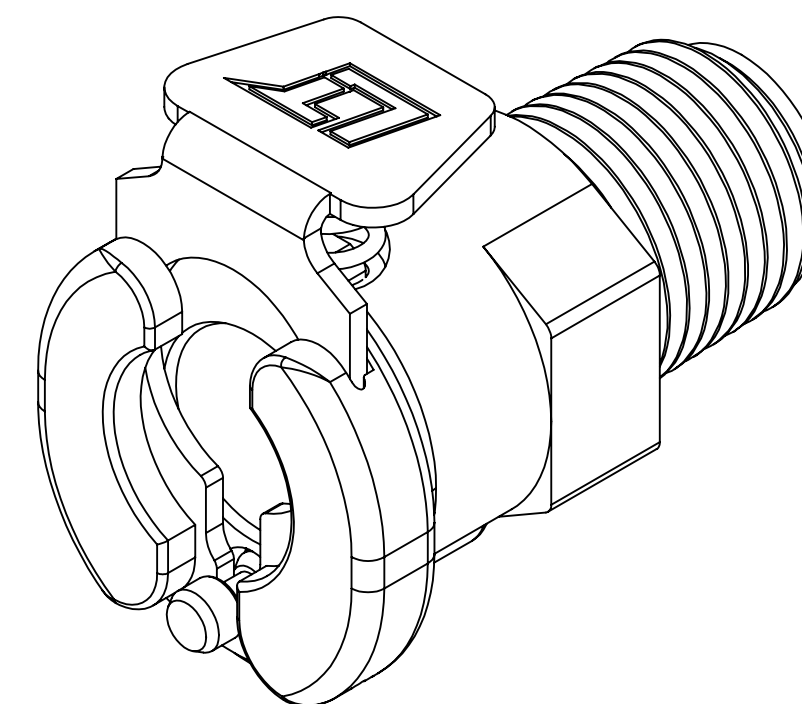
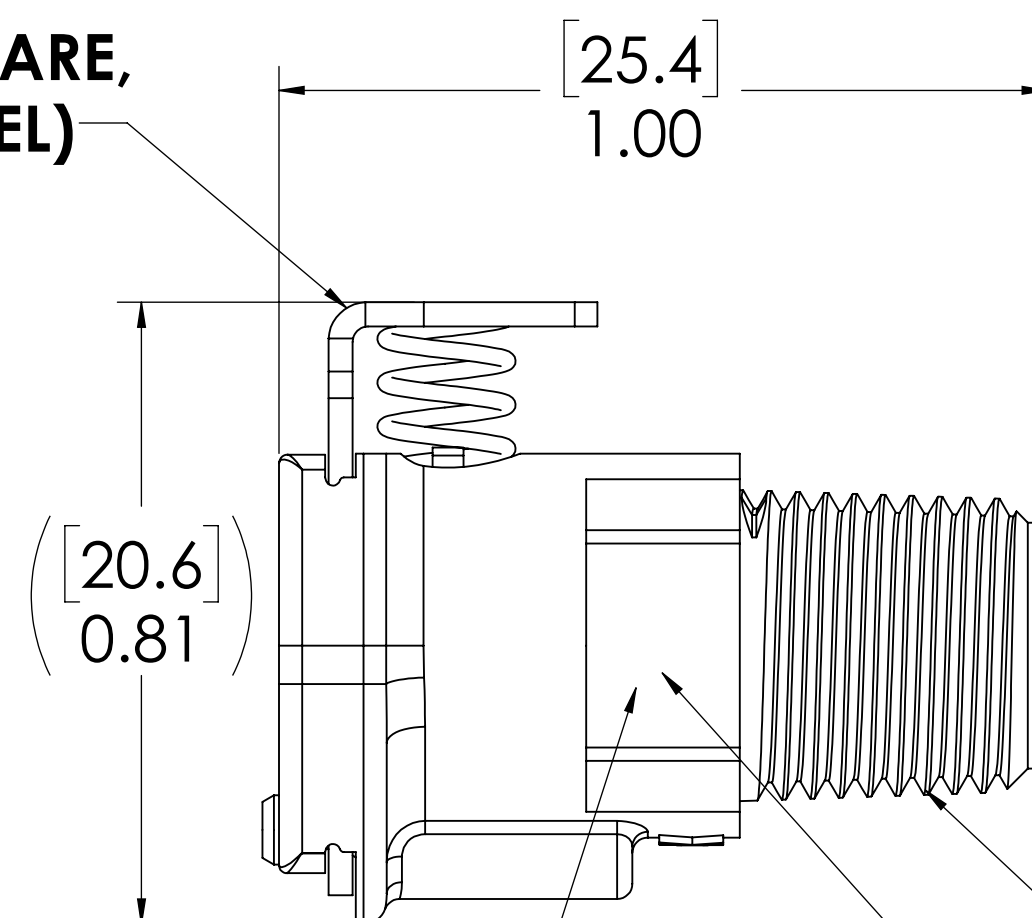


REVISIONS						
SHEET	ZONE	REV.	ECO	DESCRIPTION	DATE	APPROVED
1	ALL	NC	50242	PIN, PIN SPRING & 2017 FORMAT UPDATE	4/28/2018	HRC
ALL	ALL	A	50253	2017 FORMAT UPDATE	5/15/2018	HRC



**VALVE,
(ACETAL)**

**LATCH HARDWARE,
(STAINLESS STEEL)**



**VALVE SPRING,
INTERNAL
(STAINLESS STEEL)**


**1/8" NPT
(PIPE THREAD)**

**VALVE O-RING
INTERNAL
(BUNA-N)**

NOTES:

- MATERIAL: ACETAL
- COLOR: NATURAL WHITE
- O-RING MATERIAL: BUNA-N
- O-RINGS LUBRICATED WITH FOOD GRADE SILICONE OIL, 350 CST.

FOR REFERENCE ONLY

<small>UNLESS OTHERWISE SPECIFIED: DIMENSIONS ARE IN INCHES TOLERANCES: FRACTIONAL ± 1/32 ANGULAR: MACH ± 0.5 BEND ± 2 ONE PLACE DECIMAL ± 0.1 TWO PLACE DECIMAL ± 0.01 THREE PLACE DECIMAL ± 0.005 TWO PLACE DUAL (mm) [± 0.12]</small>	DRAWN	CBH	8/24/2017	 PART NO: 20ACV-SB1-02 DESCRIPTION: LinkTech 20AC Series Male Thread Female, Valved, 1/8" MNPT, Natural Acetal
	CHECKED	HRC	8/24/2017	
	ENG APPR.	HRC	5/15/18	
	MFG APPR.	BDB	5/15/18	
<small>PROPRIETARY AND CONFIDENTIAL THE INFORMATION CONTAINED IN THIS DRAWING IS THE SOLE PROPERTY OF LINKTECH LLC. ANY REPRODUCTION OR DISCLOSURE IN PART OR AS A WHOLE WITHOUT THE WRITTEN PERMISSION OF LINKTECH LLC IS STRICTLY PROHIBITED.</small>	PURCHASING	RK	5/15/18	SIZE DWG. NO. REV C 20AC200286 A
SCALE: NTS			WEIGHT:	SHEET 1 OF 1