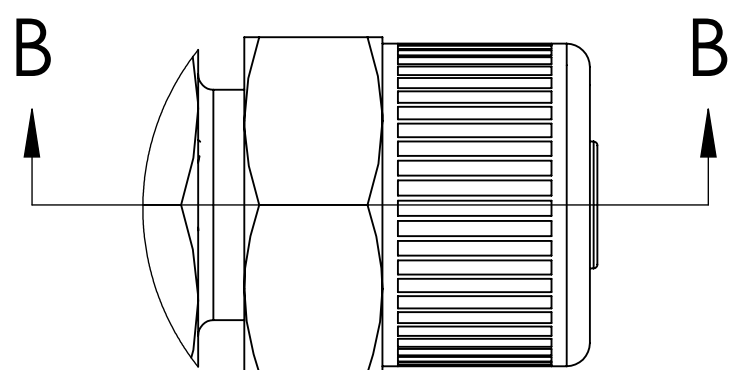
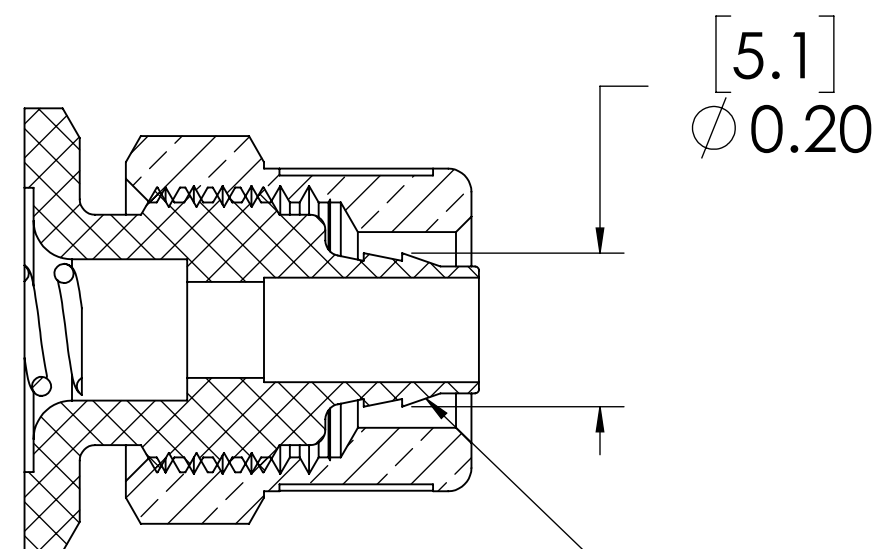


REVISIONS						
SHEET	ZONE	REV.	ECO	DESCRIPTION	DATE	APPROVED
1	ALL	A	50253	DRAFTING UPDATE	4/20/2018	HRC



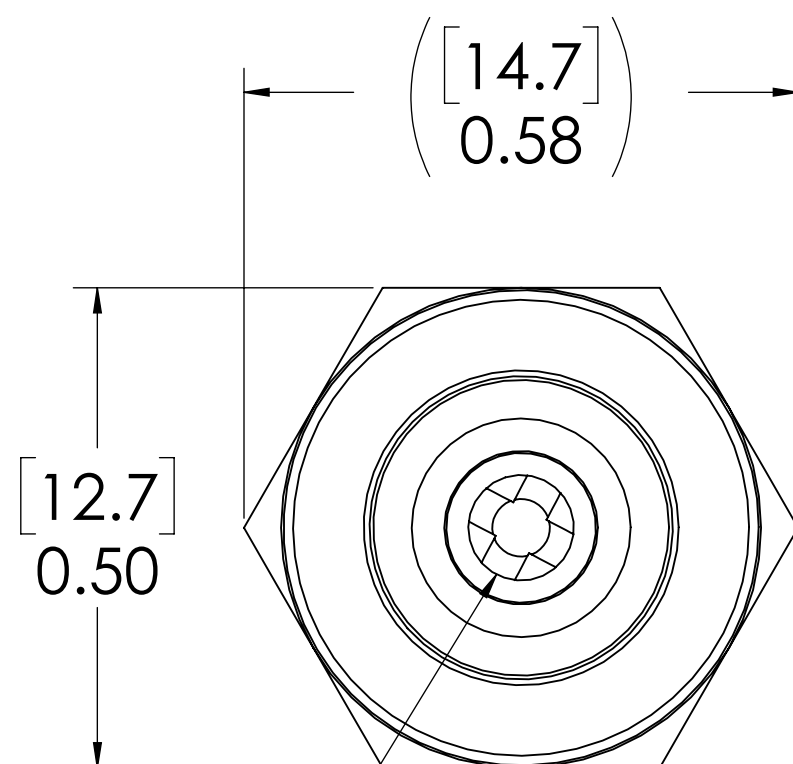
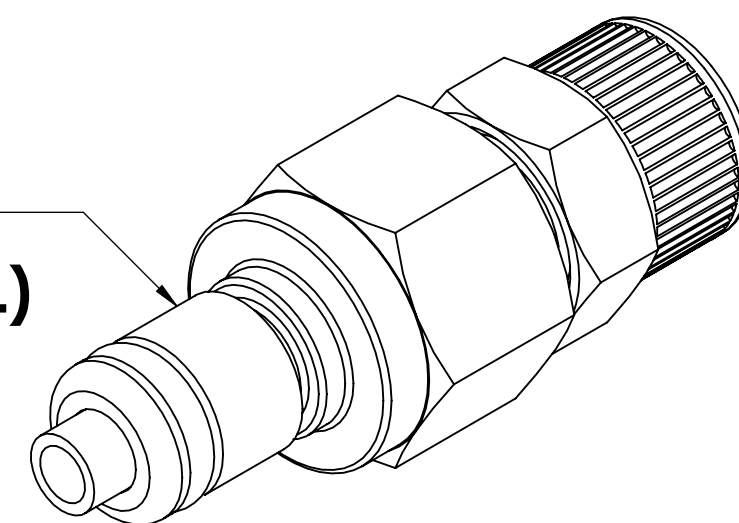
DETAIL A



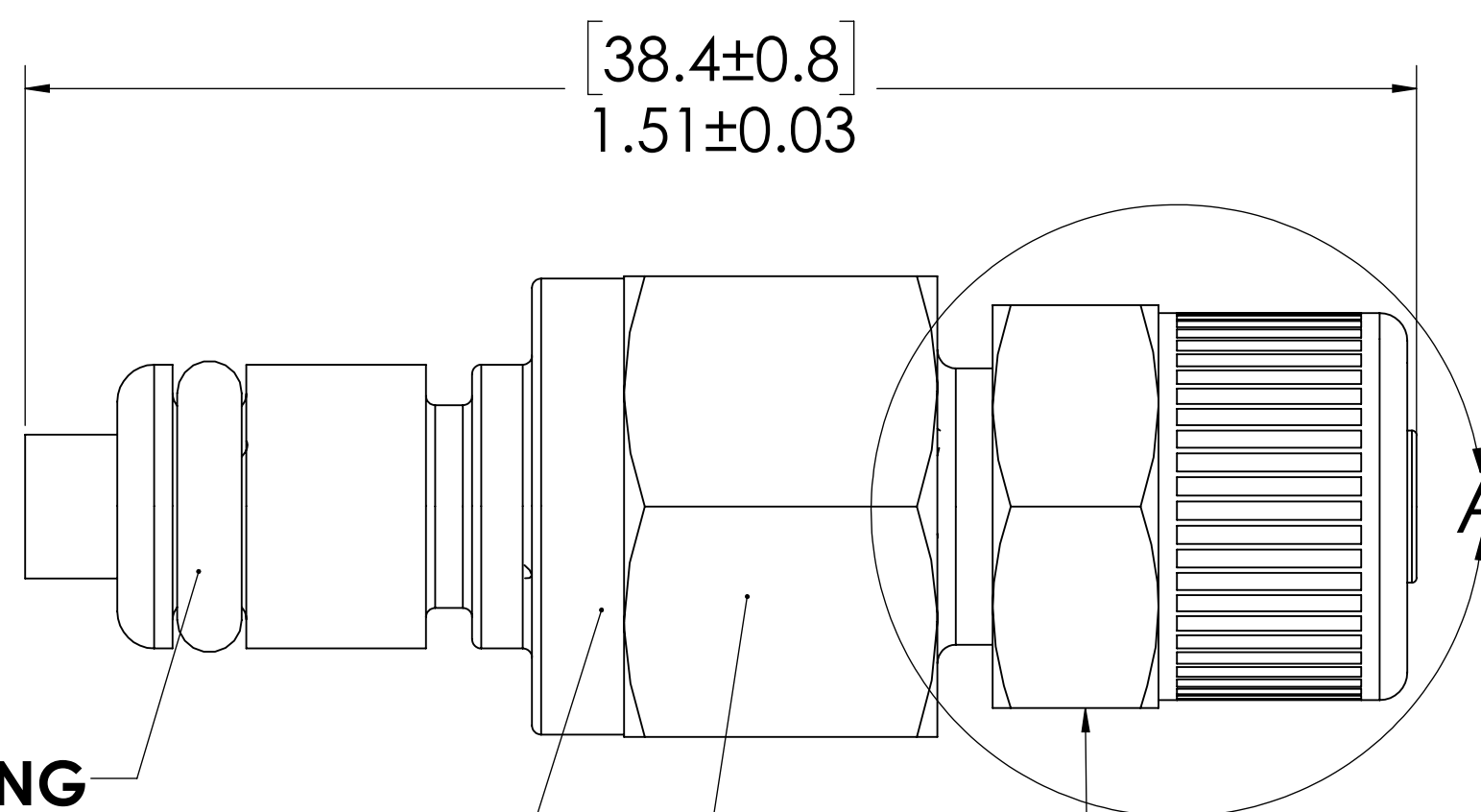
SECTION B-B

1/4" TUBE OD

**PLUG,
(ACETAL)**



**VALVE
(ACETAL)**



**O-RING
(BUNA-N)**

**VALVE SPRING
INTERNAL
(STAINLESS
STEEL)**

**VALVE O-RING
INTERNAL
(BUNA-N)**

**PTF NUT,
(BRASS, NICKEL PLATED)
(PACKAGED SEPERATELY)**

NOTES:

- MATERIAL: ACETAL
- COLOR: NATURAL WHITE
- O-RING MATERIAL: BUNA-N
- O-RINGS LUBRICATED WITH FOOD GRADE SILICONE OIL, 350 CST.

FOR REFERENCE ONLY

<small>UNLESS OTHERWISE SPECIFIED: DIMENSIONS ARE IN INCHES TOLERANCES: FRACTIONAL ± 1/32 ANGULAR: MACH ± 0.5 BEND ± 2 ONE PLACE DECIMAL ± 0.1 TWO PLACE DECIMAL ± 0.01 THREE PLACE DECIMAL ± 0.005 TWO PLACE DUAL (mm) [±0.12]</small>	DRAWN	CBH	8/10/2017	
	CHECKED	HRC	8/10/17	
	ENG APPR.	HRC	4/20/18	
	MFG APPR.	BDB	4/20/18	
<small>PROPRIETARY AND CONFIDENTIAL THE INFORMATION CONTAINED IN THIS DRAWING IS THE SOLE PROPERTY OF LINKTECH LLC. ANY REPRODUCTION OR DISCLOSURE IN PART OR AS A WHOLE WITHOUT THE WRITTEN PERMISSION OF LINKTECH LLC IS STRICTLY PROHIBITED.</small>	PURCHASING	RK	4/20/18	PART NO: 20ACV-PB9-04 DESCRIPTION: LinkTech 20AC Series Straight Male, Valved, 1/4" PTF, Natural Acetal
<small>COMMENTS:</small>		SIZE DWG. NO. REV C 20AC200075 A	SCALE: NTS WEIGHT:	SHEET 1 OF 1