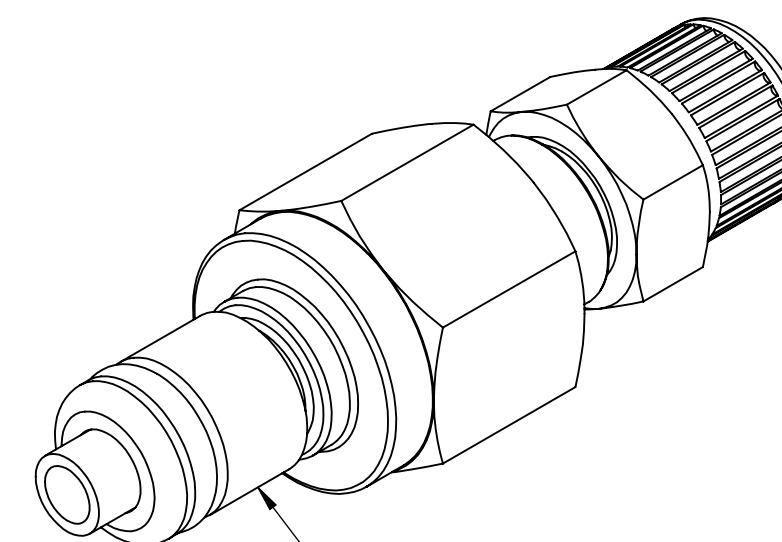
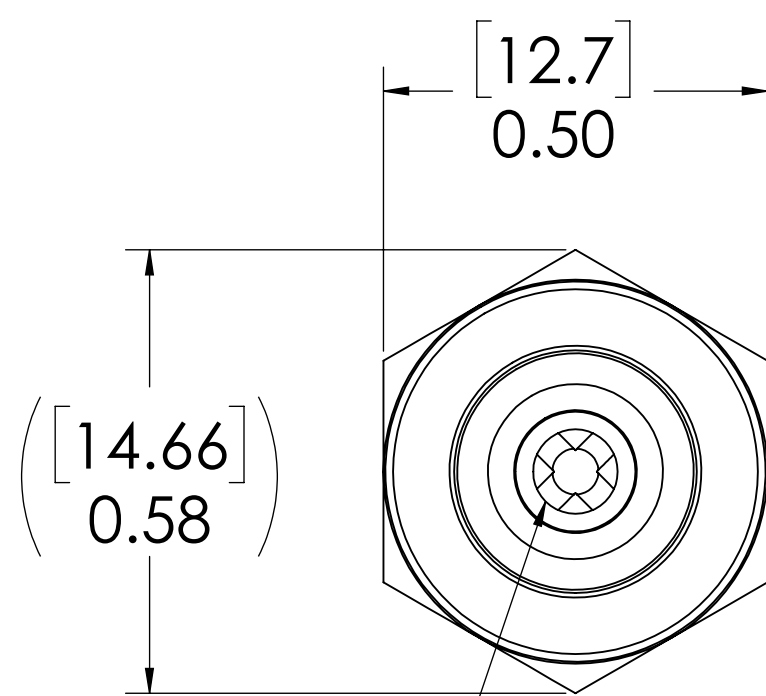


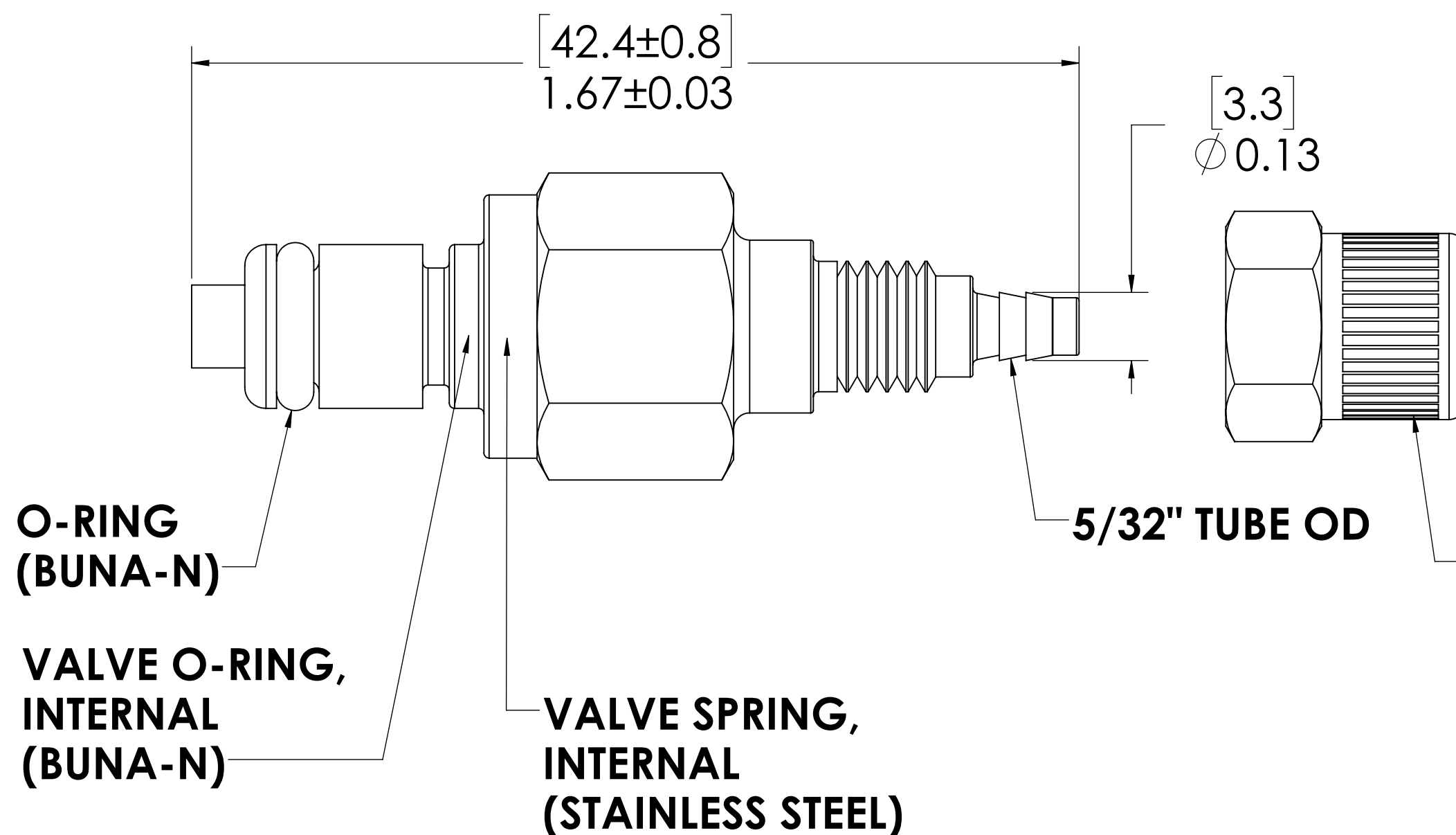
REVISIONS						
SHEET	ZONE	REV.	ECO	DESCRIPTION	DATE	APPROVED
1	ALL	A	50243	UPDATE VALVE SPRING PART #	4/12/2018	HRC



**PLUG,
(ACETAL)**



**VALVE,
(ACETAL)**



**O-RING
(BUNA-N)**

**VALVE O-RING,
INTERNAL
(BUNA-N)**

**VALVE SPRING,
INTERNAL
(STAINLESS STEEL)**

5/32" TUBE OD

**PTF NUT
(BRASS, NICKEL PLATED)
(PACKAGED SEPARATELY)**

NOTES:

1. MATERIAL: ACETAL
2. COLOR: NATURAL WHITE
3. O-RING MATERIAL: BUNA-N
4. O-RINGS LUBRICATED WITH FOOD GRADE SILICONE OIL, 350CST

FOR REFERENCE ONLY

<small>UNLESS OTHERWISE SPECIFIED: DIMENSIONS ARE IN INCHES TOLERANCES: FRACTIONAL ± 1/32 ANGULAR: MACH ± 0.5 BEND ± 2 ONE PLACE DECIMAL ± 0.1 TWO PLACE DECIMAL ± 0.01 THREE PLACE DECIMAL ± 0.005 TWO PLACE DUAL (mm) [± 0.12]</small>	DRAWN	RDA	5/11/2017							
	CHECKED	HRC	5/11/2017							
	ENG APPR.	HRC	4/12/18							
	MFG APPR.	BDB	4/12/18							
<small>PROPRIETARY AND CONFIDENTIAL THE INFORMATION CONTAINED IN THIS DRAWING IS THE SOLE PROPERTY OF LINKTECH LLC. ANY REPRODUCTION OR DISCLOSURE IN PART OR AS A WHOLE WITHOUT THE WRITTEN PERMISSION OF LINKTECH LLC IS STRICTLY PROHIBITED.</small>	PURCHASING	RK	4/12/18	PART NO: 20ACV-PB9-025 DESCRIPTION: LinkTech 20AC Series Straight Male Valved, 5/32 PTF, Natural Acetal <table border="1"> <tr> <td>SIZE</td> <td>DWG. NO.</td> <td>REV</td> </tr> <tr> <td>C</td> <td>20AC200098</td> <td>A</td> </tr> </table>	SIZE	DWG. NO.	REV	C	20AC200098	A
SIZE	DWG. NO.	REV								
C	20AC200098	A								
<small>SCALE: NTS WEIGHT: SHEET 1 OF 1</small>										