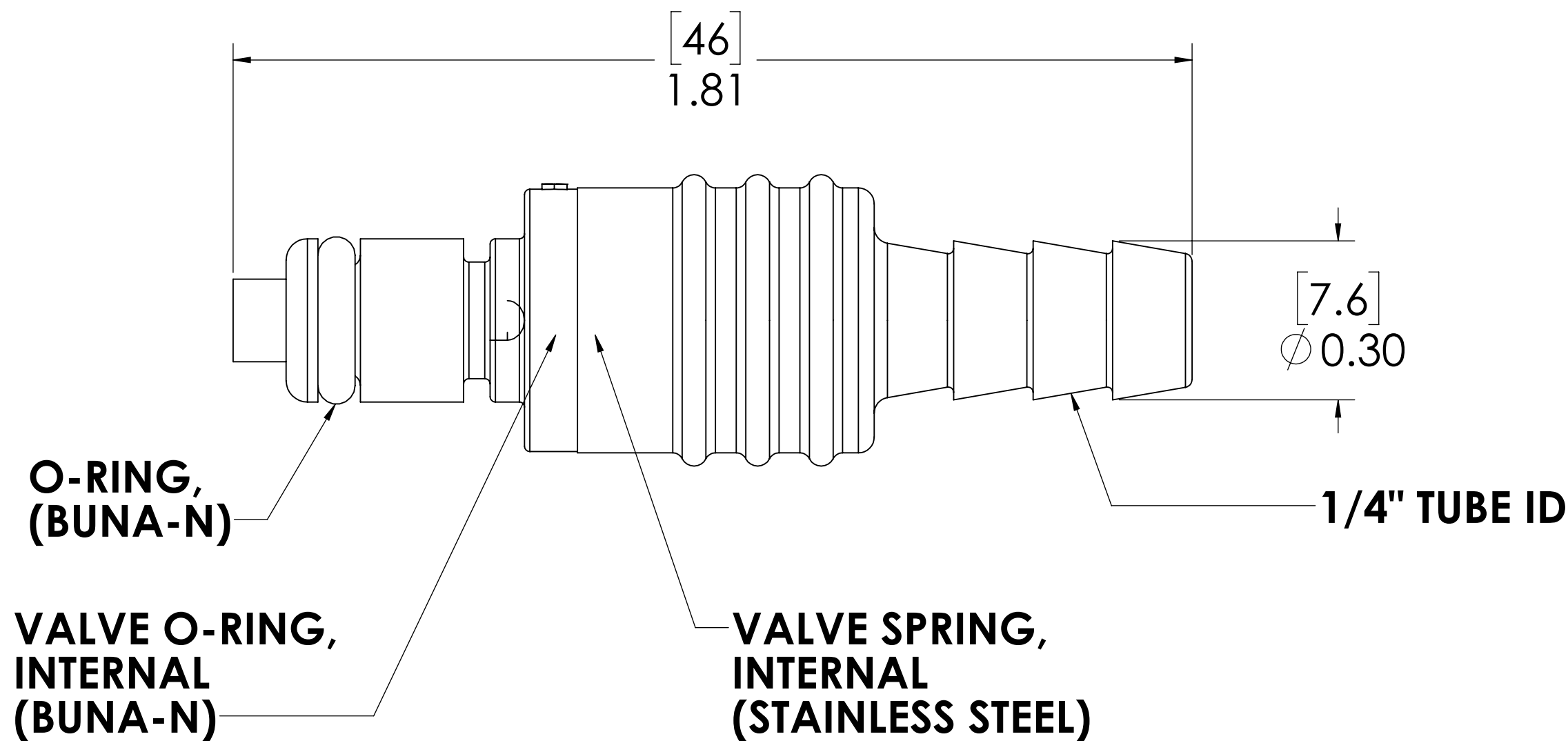
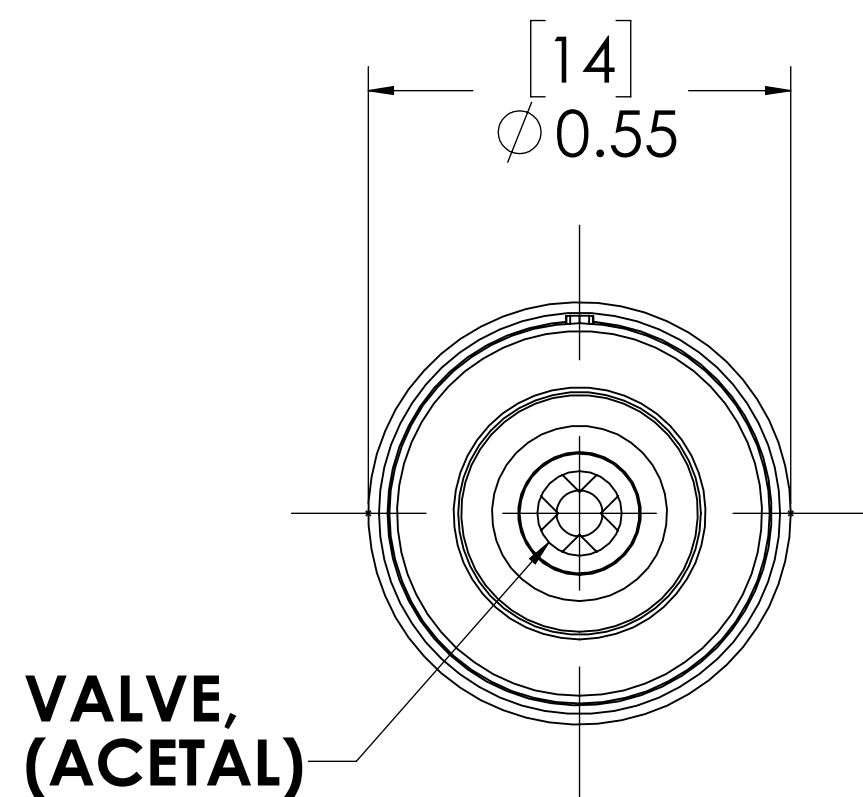
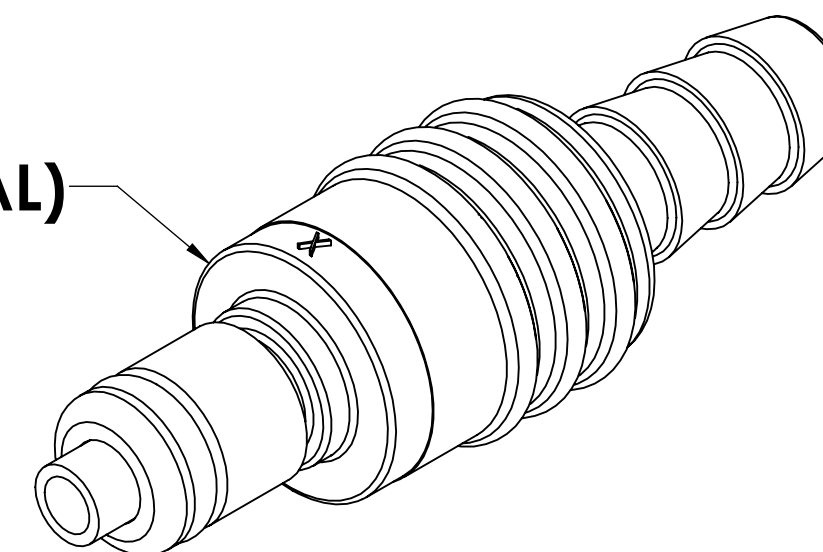


REVISIONS						
SHEET	ZONE	REV.	ECO	DESCRIPTION	DATE	APPROVED
1	ALL	A	50252	UPDATE MODEL, BOM, AND NOTES: RE-RELEASE ASSEMBLY DRAWING	6/23/2017	HRC
1	ALL	B	50253	UPDATE DWG TO CURRENT FORMAT & STANDARDS	10/16/2018	HRC

**PLUG,  
(ACETAL)**



**NOTES:**

1. MATERIAL: ACETAL
2. COLOR: NATURAL WHITE
3. O-RING MATERIAL: BUNA-N
4. O-RINGS LUBRICATED WITH FOOD GRADE SILICONE OIL, 350 CST.

**FOR REFERENCE ONLY**

<small>UNLESS OTHERWISE SPECIFIED: DIMENSIONS ARE IN INCHES TOLERANCES: FRACTIONAL ± 1/32 ANGULAR: MACH ± 0.5 BEND ± 2 ONE PLACE DECIMAL ± 0.1 TWO PLACE DECIMAL ± 0.01 THREE PLACE DECIMAL ± 0.005 TWO PLACE DUAL (mm) [± 0.12]</small>	DRAWN	<b>CKE</b>	<b>6-23-17</b>	
	CHECKED	<b>HRC</b>	<b>6-23-17</b>	
	ENG APPR.	<b>HRC</b>	<b>6-23-17</b>	
	MFG APPR.	<b>BDB</b>	<b>6-23-17</b>	
<small>PROPRIETARY AND CONFIDENTIAL THE INFORMATION CONTAINED IN THIS DRAWING IS THE SOLE PROPERTY OF LINKTECH LLC. ANY REPRODUCTION OR DISCLOSURE IN PART OR AS A WHOLE WITHOUT THE WRITTEN PERMISSION OF LINKTECH LLC IS STRICTLY PROHIBITED.</small>	Q.A.	<b>JJB</b>	<b>6-23-17</b>	<b>PART NO: 20ACV-PB2-04</b>  <b>DESCRIPTION:</b> <b>LinkTech 20AC Series Straight Male, Non-valved, 1/4" HB, Natural Acetal</b>
<small>SIZE DWG. NO. REV</small>		<b>C 20AC200290 B</b>		<small>SCALE: NTS WEIGHT: SHEET 1 OF 1</small>