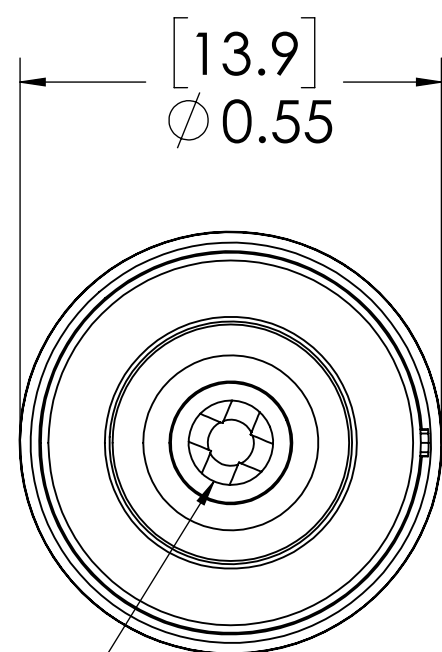
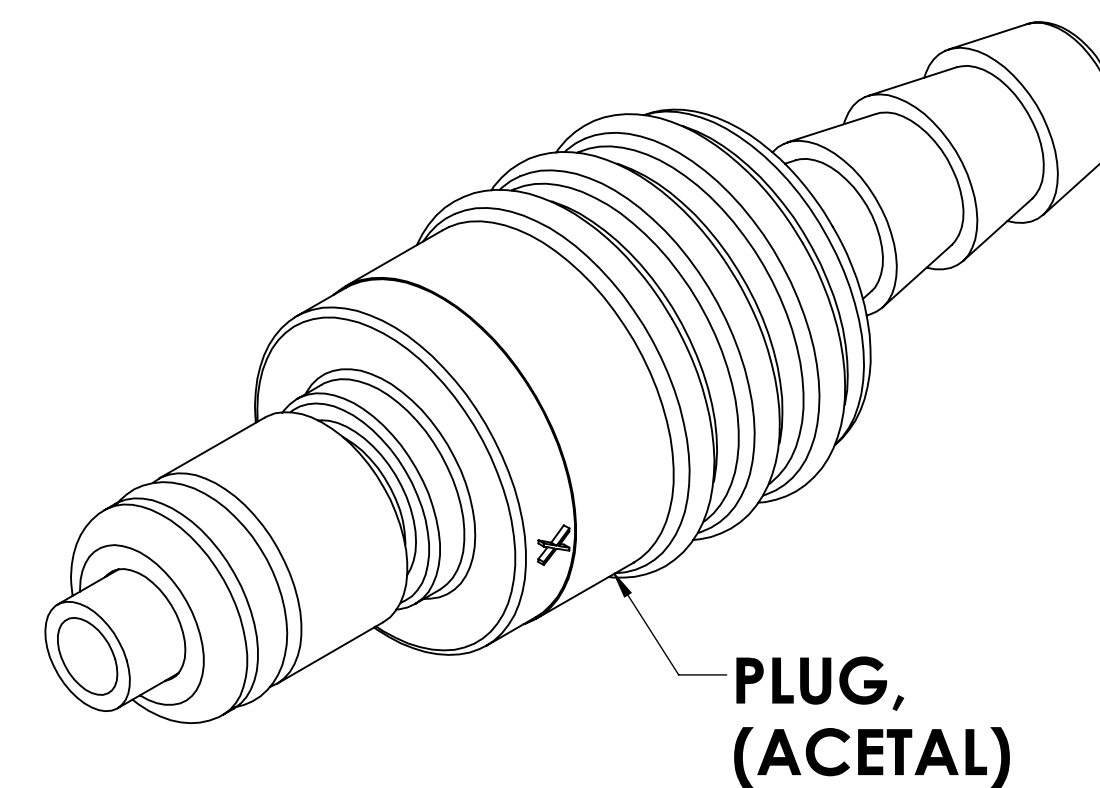
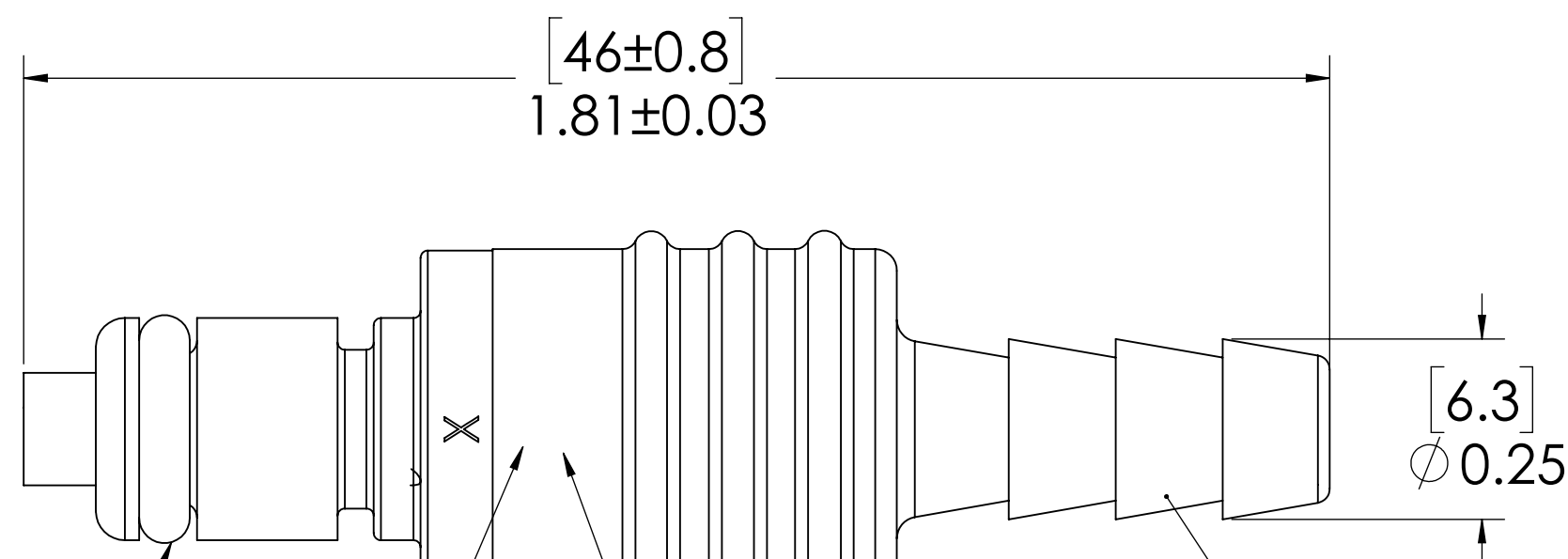


REVISIONS						
SHEET	ZONE	REV.	ECO	DESCRIPTION	DATE	APPROVED
1	ALL	A	50243	UPDATE VALVE SPRING PART #	4/12/2018	HRC



**VALVE,
(ACETAL)**



**O-RING,
(BUNA-N)**

**VALVE O-RING,
INTERNAL
(BUNA-N)**

**VALVE SPRING,
INTERNAL
(STAINLESS STEEL)**

3/16" TUBE ID

NOTES:

- MATERIAL: ACETAL
- COLOR: NATURAL WHITE
- O-RING MATERIAL: BUNA-N
- O-RINGS LUBRICATED WITH FOOD GRADE SILICONE OIL, 350 CST.

FOR REFERENCE ONLY

<small>UNLESS OTHERWISE SPECIFIED: DIMENSIONS ARE IN INCHES TOLERANCES: FRACTIONAL ± 1/32 ANGULAR: MACH ± 0.5 BEND ± 2 ONE PLACE DECIMAL ± 0.1 TWO PLACE DECIMAL ± 0.01 THREE PLACE DECIMAL ± 0.005 TWO PLACE DUAL (mm) [±0.12]</small>	DRAWN	RDA	3/9/2017	
	CHECKED	HRC	3/9/2017	
	ENG APPR.	HRC	4/12/18	
	MFG APPR.	BDB	4/12/18	
<small>PROPRIETARY AND CONFIDENTIAL THE INFORMATION CONTAINED IN THIS DRAWING IS THE SOLE PROPERTY OF LINKTECH LLC. ANY REPRODUCTION OR DISCLOSURE IN PART OR AS A WHOLE WITHOUT THE WRITTEN PERMISSION OF LINKTECH LLC IS STRICTLY PROHIBITED.</small>	PURCHASING	RK	4/12/18	PART NO: 20ACV-PB2-03 DESCRIPTION: LinkTech 20AC Series Straight Male, Valved, 3/16" HB, Natural Acetal
<small>SIZE DWG. NO. REV</small>		C 20AC200269 A		<small>SCALE: NTS WEIGHT: SHEET 1 OF 1</small>