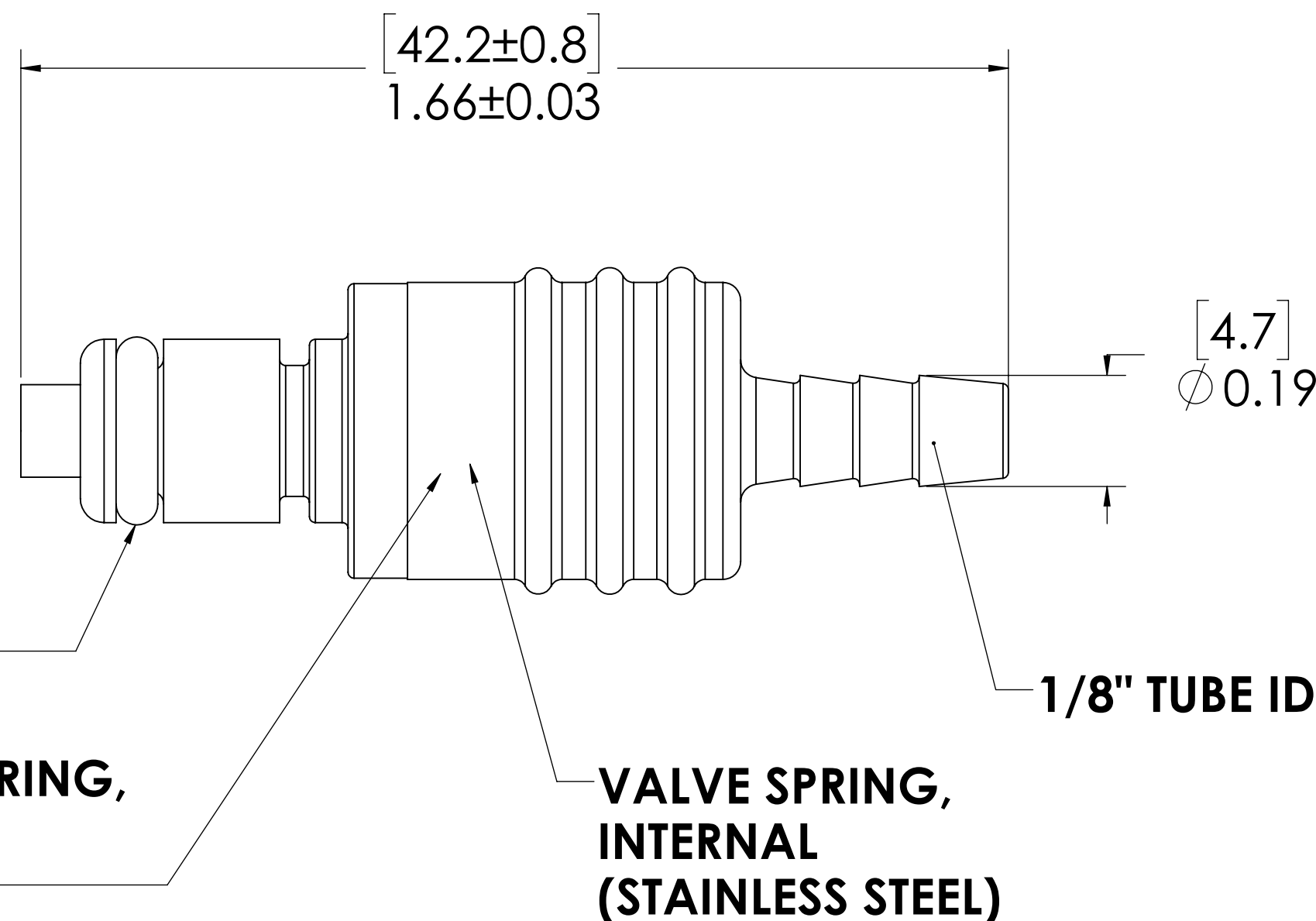
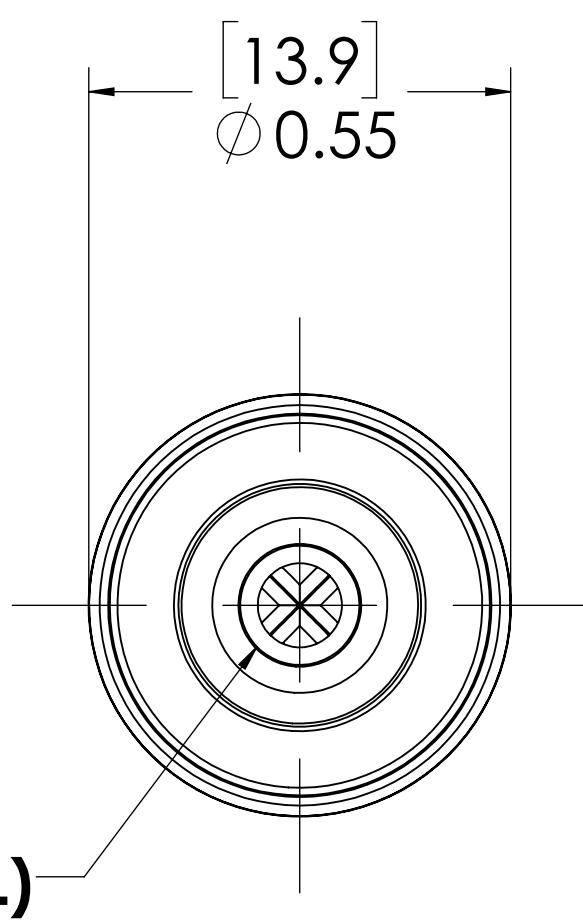
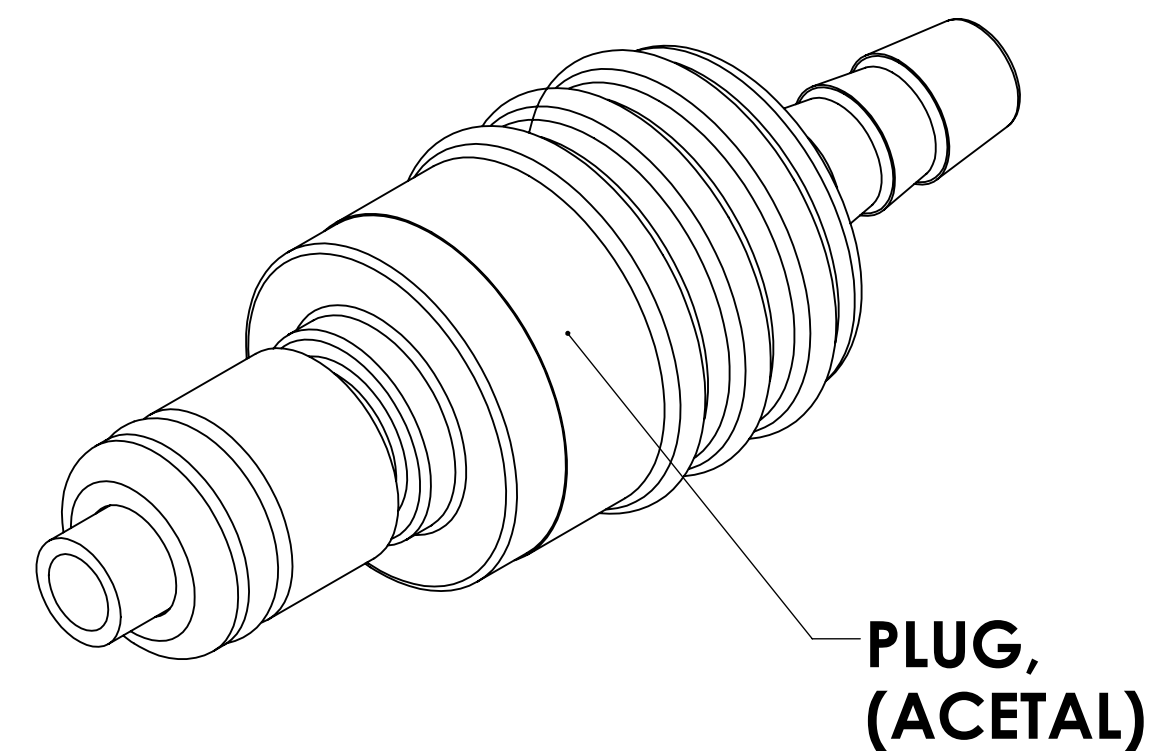


REVISIONS						
SHEET	ZONE	REV.	ECO	DESCRIPTION	DATE	APPROVED
1	ALL	A	50243	UPDATE VALVE SPRING PART #	4/12/2018	HRC



**NOTES:**

- MATERIAL: ACETAL
- COLOR: NATURAL WHITE
- O-RING MATERIAL: BUNA-N
- O-RINGS LUBRICATED WITH FOOD GRADE SILICONE OIL, 350CST

**FOR REFERENCE ONLY**

<small>UNLESS OTHERWISE SPECIFIED: DIMENSIONS ARE IN INCHES TOLERANCES: FRACTIONAL ±1/32 ANGULAR: MACH ±0.5 BEND ±2 ONE PLACE DECIMAL ±0.1 TWO PLACE DECIMAL ±0.01 THREE PLACE DECIMAL ±0.005 TWO PLACE DUAL (mm) [±0.12]</small>	DRAWN	RDA	10/21/2017	
	CHECKED	HRC	10/21/2014	
	ENG APPR.	HRC	4/12/18	
	MFG APPR.	BDB	4/12/18	
PRODUCTION	RK	4/12/18		<b>PART NO: 20ACV-PB2-02</b> <small>DESCRIPTION: LinkTech 20AC Series Straight Male, Valved, 1/8" HB, Natural Acetal</small>
<small>PROPRIETARY AND CONFIDENTIAL THE INFORMATION CONTAINED IN THIS DRAWING IS THE SOLE PROPERTY OF LINKTECH LLC. ANY REPRODUCTION OR DISCLOSURE IN PART OR AS A WHOLE WITHOUT THE WRITTEN PERMISSION OF LINKTECH LLC IS STRICTLY PROHIBITED.</small>				<small>SIZE DWG. NO. REV</small> <b>C 20AC200265 A</b>
<small>SCALE: NTS WEIGHT:</small>			<small>SHEET 1 OF 1</small>	