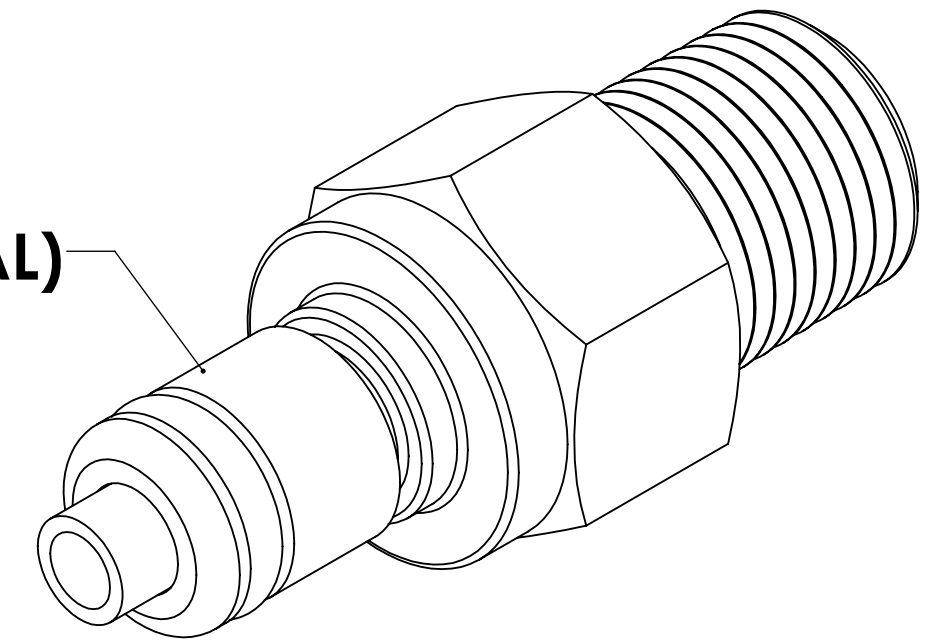
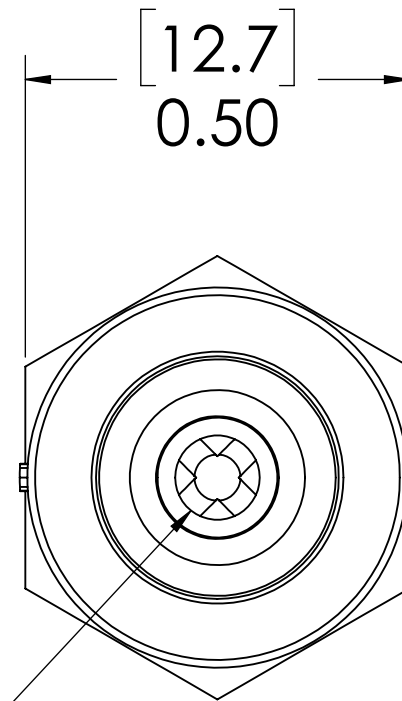


REVISIONS						
SHEET	ZONE	REV.	ECO	DESCRIPTION	DATE	APPROVED
1	ALL	A	50243	UPDATE VALVE SPRING PART #	4/12/2018	HRC

**PLUG,  
(ACETAL)**



**VALVE,  
(ACETAL)**

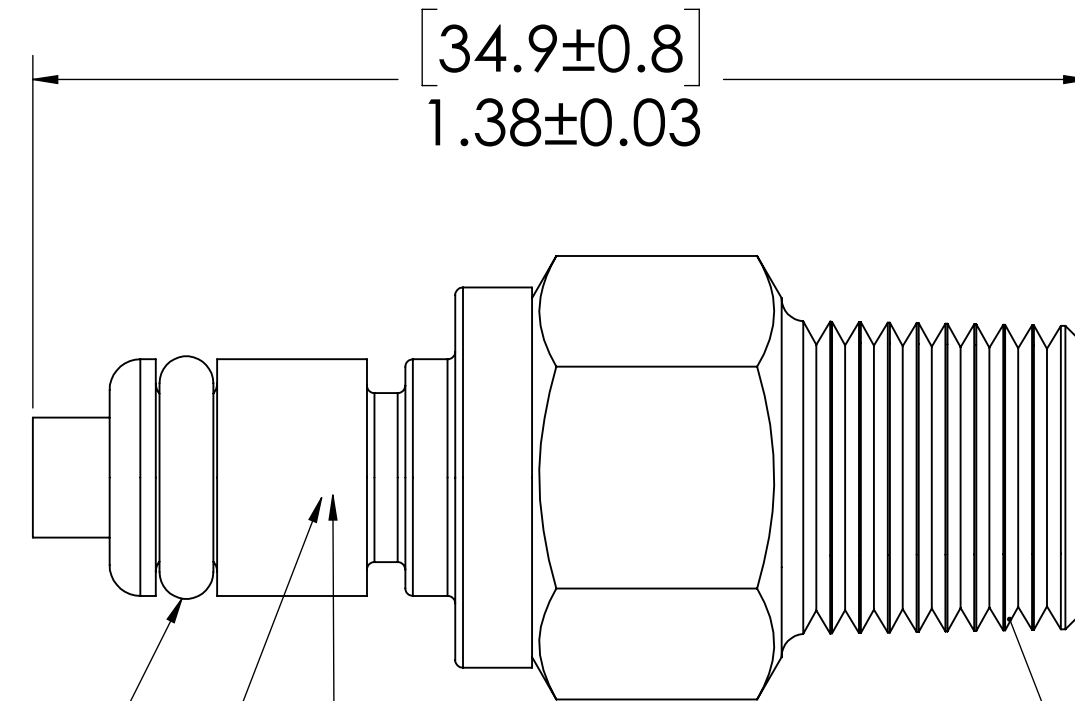


**O-RING,  
(BUNA-N)**

**O-RING,  
INTERNAL  
(BUNA-N)**

**VALVE SPRING,  
INTERNAL  
(STAINLESS STEEL)**


**1/8" BSPT  
(PIPE THREAD)**



**NOTES:**

- MATERIAL: ACETAL
- COLOR: NATURAL WHITE
- O-RING MATERIAL: BUNA-N
- O-RINGS LUBRICATED WITH FOOD GRADE SILICONE OIL, 350CST

**FOR REFERENCE ONLY**

UNLESS OTHERWISE SPECIFIED: DIMENSIONS ARE IN INCHES TOLERANCES: FRACTIONAL ± 1/32 ANGULAR: MACH ± 0.5 BEND ± 2 ONE PLACE DECIMAL ± 0.1 TWO PLACE DECIMAL ± 0.01 THREE PLACE DECIMAL ± 0.005 TWO PLACE DUAL (mm) [± 0.12]	DRAWN	CBH	7/25/2017	 <b>PART NO: 20ACV-PB1-02BSPT</b>
	CHECKED	HRC	5/11/2017	
<b>PROPRIETARY AND CONFIDENTIAL</b>  THE INFORMATION CONTAINED IN THIS DRAWING IS THE SOLE PROPERTY OF LINKTECH LLC. ANY REPRODUCTION OR DISCLOSURE IN PART OR AS A WHOLE WITHOUT THE WRITTEN PERMISSION OF LINKTECH LLC IS STRICTLY PROHIBITED.	ENG APPR.	HRC	4/12/18	<b>DESCRIPTION:</b> LinkTech 20AC Series Male Thread Male, Valved, 1/8" BSPT, Natural Acetal
	MFG APPR.	BDB	4/12/18	<b>SIZE DWG. NO. REV</b> <b>C20AC200288 A</b>
	PURCHASING	RK	4/12/18	<b>SCALE: NTS WEIGHT: SHEET 1 OF 1</b>