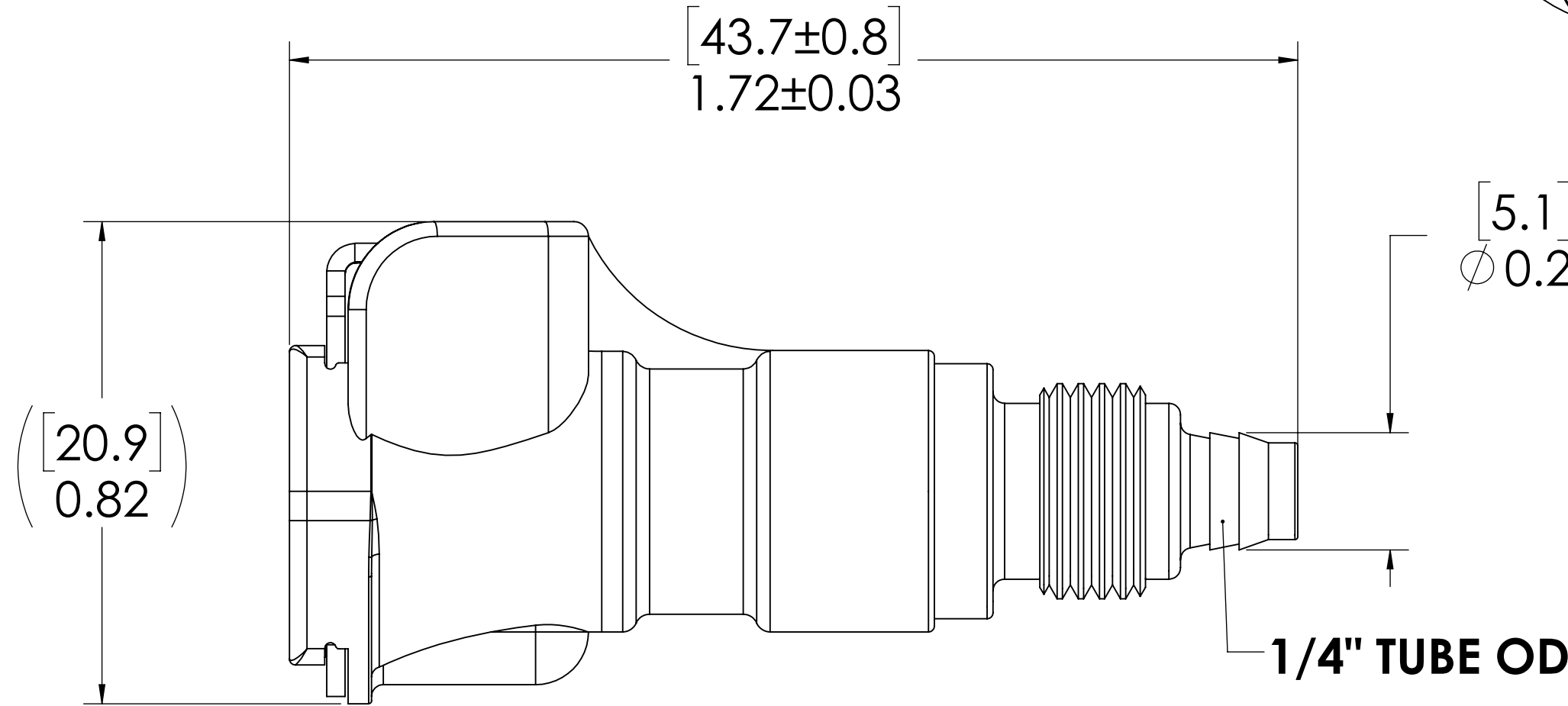
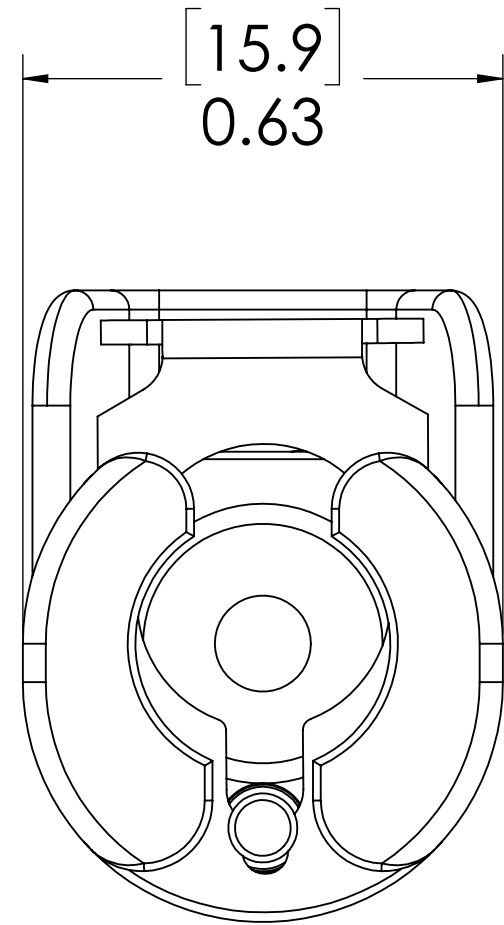
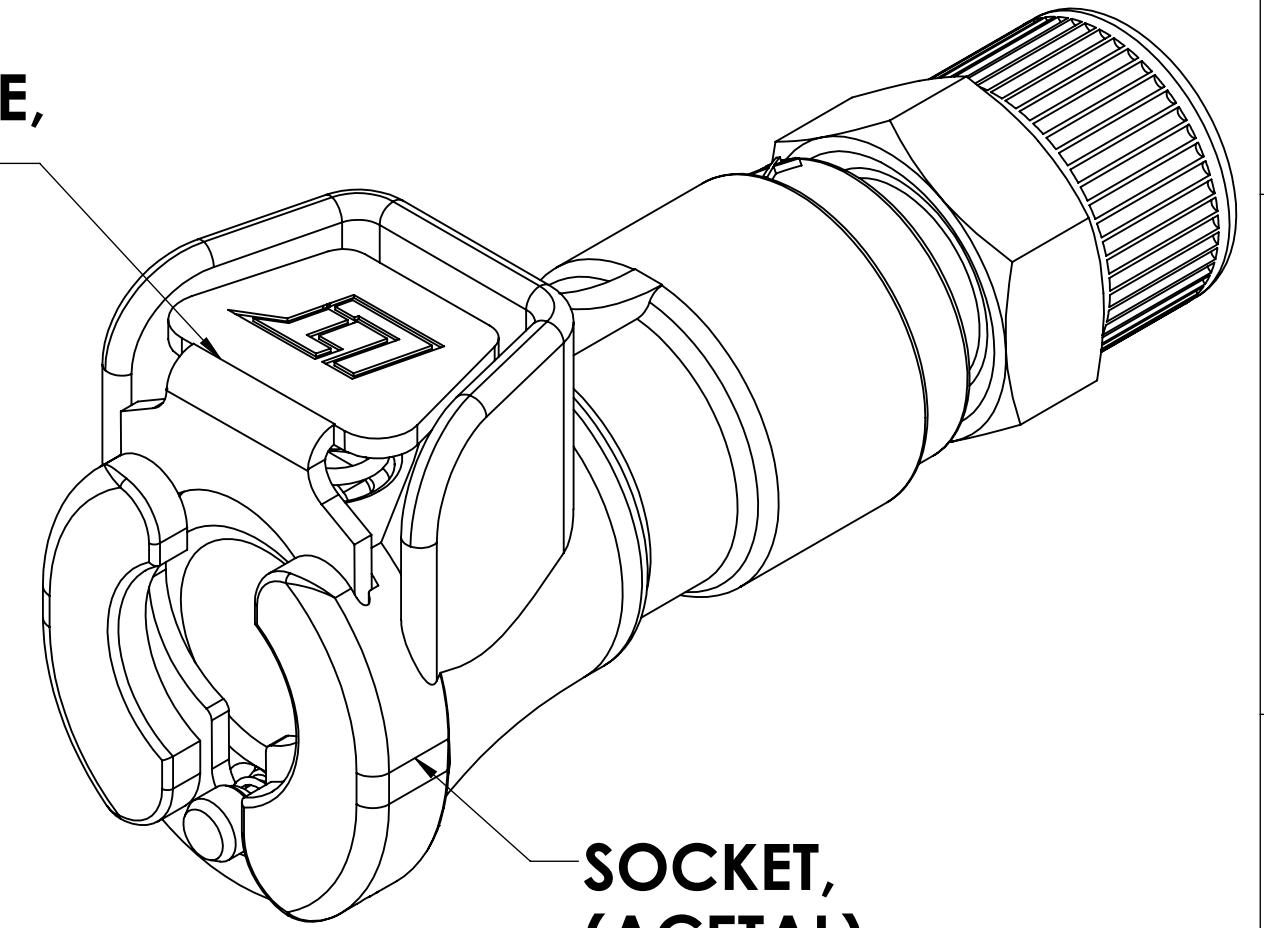


REVISIONS						
SHEET	ZONE	REV.	ECO	DESCRIPTION	DATE	APPROVED
1	ALL	A	50242	PIN, PIN SPRING & 2017 FORMAT UPDATE	4/25/2018	HRC

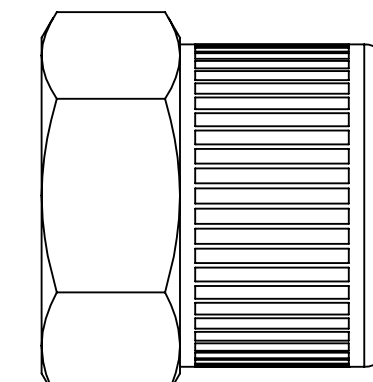
**LATCH HARDWARE,  
(STAINLESS STEEL)**

**SOCKET,  
(ACETAL)**



5.1  
Ø 0.20

**1/4" TUBE OD**



**1/4" PTF NUT  
(BRASS, NICKEL PLATED)  
(PACKAGED SEPARATELY)**

**FOR REFERENCE ONLY**

**NOTES:**

- MATERIAL: ACETAL
- COLOR: NATURAL WHITE

UNLESS OTHERWISE SPECIFIED:		NAME	DATE	
DIMENSIONS ARE IN INCHES TOLERANCES: FRACTIONAL ± 1/32 ANGULAR: MACH ± 0.5 BEND ± 2 ONE PLACE DECIMAL ± 0.1 TWO PLACE DECIMAL ± 0.01 THREE PLACE DECIMAL ± 0.005 TWO PLACE DUAL (mm) [± 0.12]		DRAWN	ER	
PROPRIETARY AND CONFIDENTIAL THE INFORMATION CONTAINED IN THIS DRAWING IS THE SOLE PROPERTY OF LINKTECH LLC. ANY REPRODUCTION OR DISCLOSURE IN PART OR AS A WHOLE WITHOUT THE WRITTEN PERMISSION OF LINKTECH LLC IS STRICTLY PROHIBITED.		CHECKED	HRC	10-03-17
		ENG APPR.	HRC	4/25/18
		MFG APPR.	BDB	4/25/18
PRODUCTION		RK	4/25/18	PART NO: 20AC-S9-04
COMMENTS:				
				DESCRIPTION: LinkTech 20AC Series Straight Female, Non-valved, 1/4" PTF, Natural Acetal
SIZE	DWG. NO.	REV		
C	20AC200361	A		
SCALE: NTS	WEIGHT:	SHEET 1 OF 1		