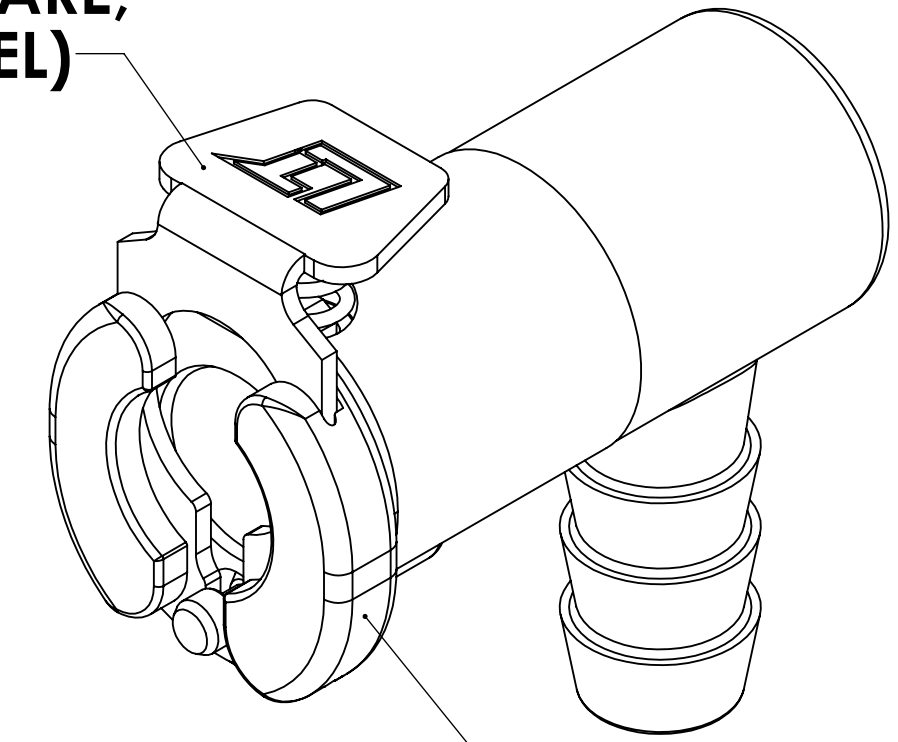
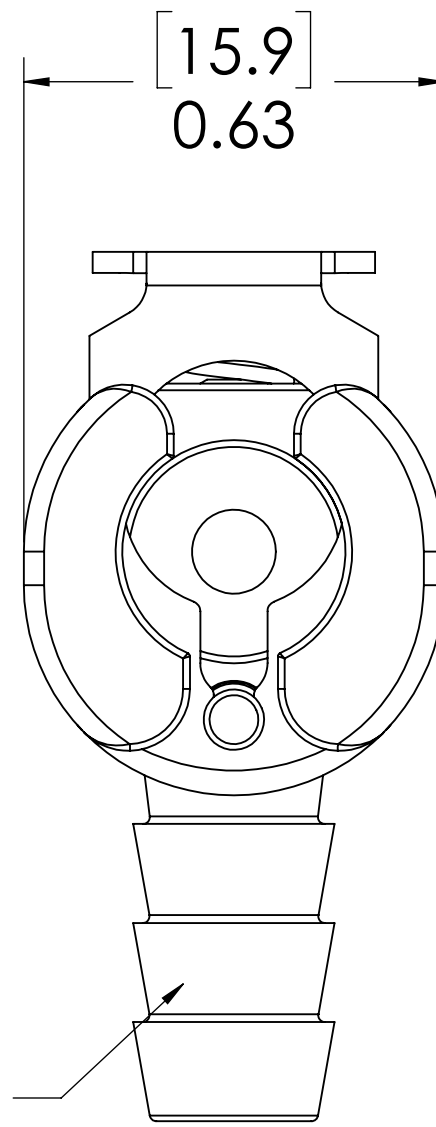


REVISIONS						
SHEET	ZONE	REV.	ECO	DESCRIPTION	DATE	APPROVED
1	ALL	A	50253	UPDATE DWG TO CURRENT FORMAT & STANDARDS	9/21/2018	HRC
1	ALL	B	50242	PIN, PIN SPRING & FORMAT UPDATE	1/24/2019	HRC

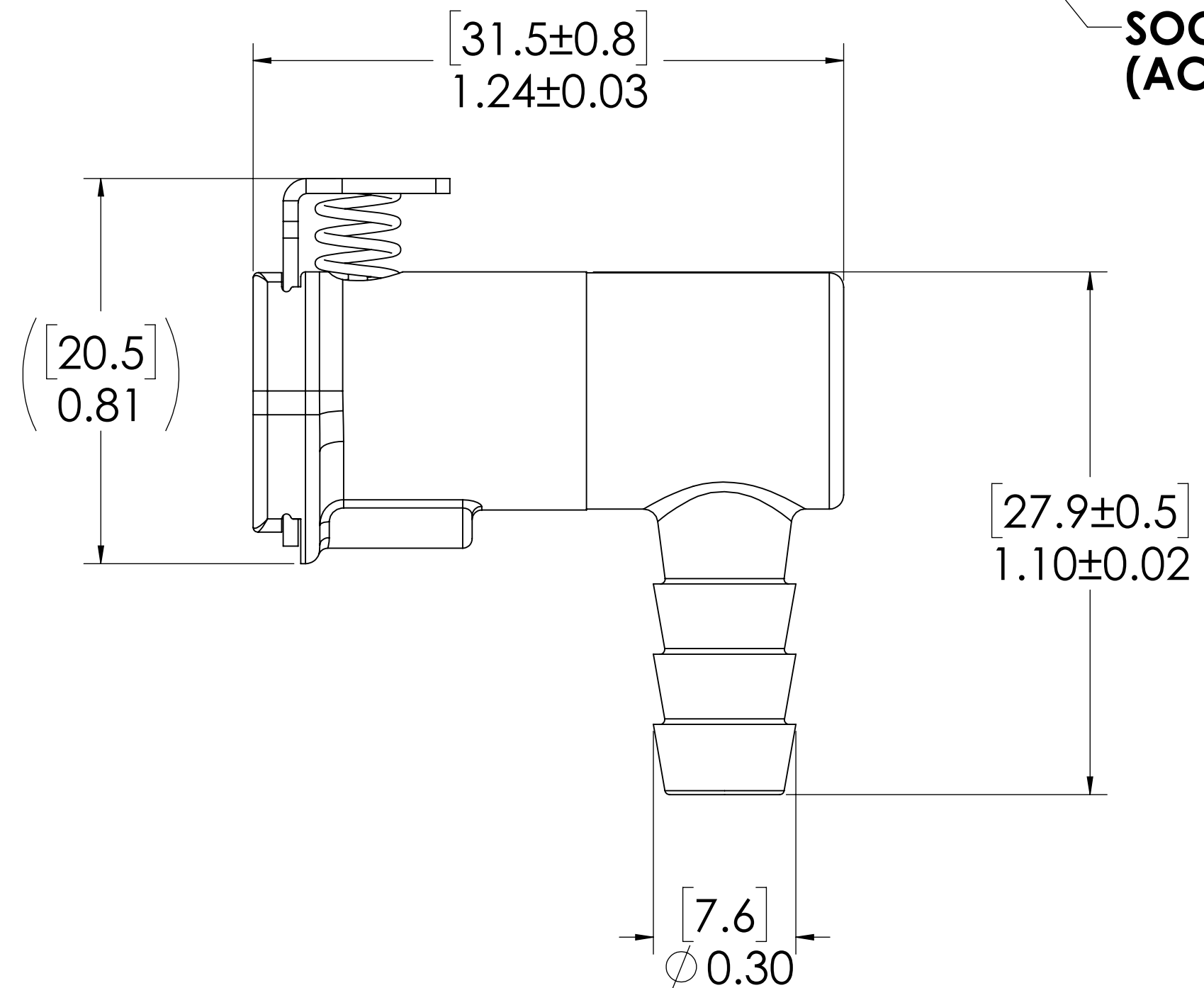
**LATCH HARDWARE,  
(STAINLESS STEEL)**



**SOCKET,  
(ACETAL)**



**1/4" TUBE ID**



**FOR REFERENCE ONLY**

**NOTES:**

- MATERIAL: ACETAL
- COLOR: NATURAL WHITE

UNLESS OTHERWISE SPECIFIED:		NAME	DATE	
DIMENSIONS ARE IN INCHES TOLERANCES: FRACTIONAL ±1/32 ANGULAR: MACH ±0.5 BEND ±2 ONE PLACE DECIMAL ±0.1 TWO PLACE DECIMAL ±0.01 THREE PLACE DECIMAL ±0.005 TWO PLACE DUAL (mm) [±0.12]		DRAWN	ER	
PROPRIETARY AND CONFIDENTIAL  THE INFORMATION CONTAINED IN THIS DRAWING IS THE SOLE PROPERTY OF LINKTECH LLC. ANY REPRODUCTION OR DISCLOSURE IN PART OR AS A WHOLE WITHOUT THE WRITTEN PERMISSION OF LINKTECH LLC IS STRICTLY PROHIBITED.		CHECKED	HRC	10-02-17
		ENG APPR.	HRC	9/21/18
		MFG APPR.	BDB	9/21/18
PRODUCTION		LS	9/21/18	PART NO: 20AC-S4-04
COMMENTS:				
SIZE	DWG. NO.	REV	DESCRIPTION: <b>LinkTech 20AC Series Elbow Female, Non-valved, 1/4" HB., Natural Acetal</b>	
C	20AC200154	B		
SCALE: NTS	WEIGHT:	SHEET 1 OF 1		