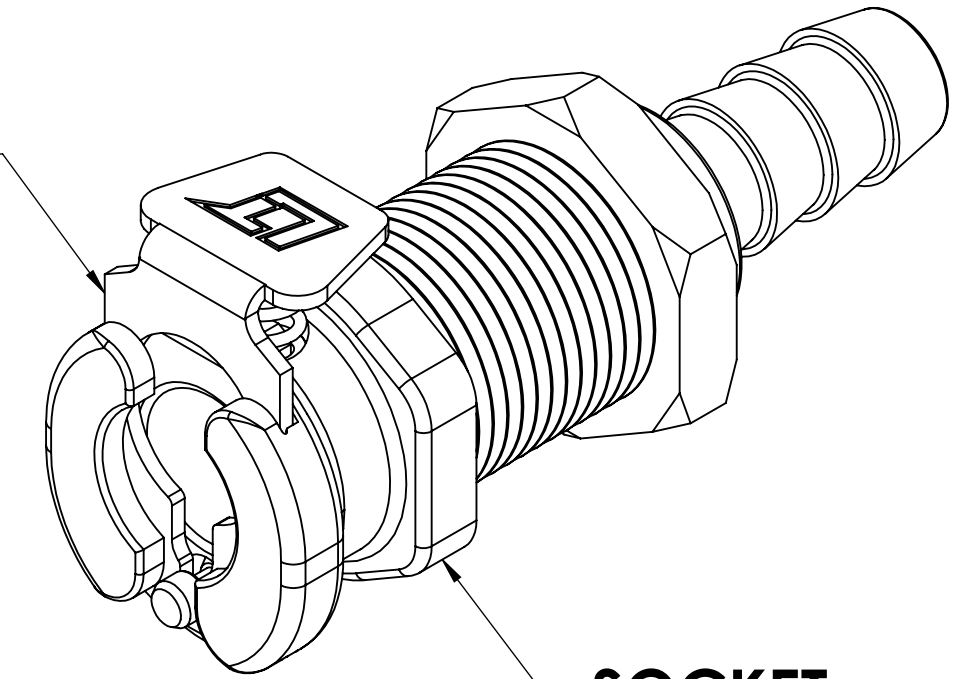
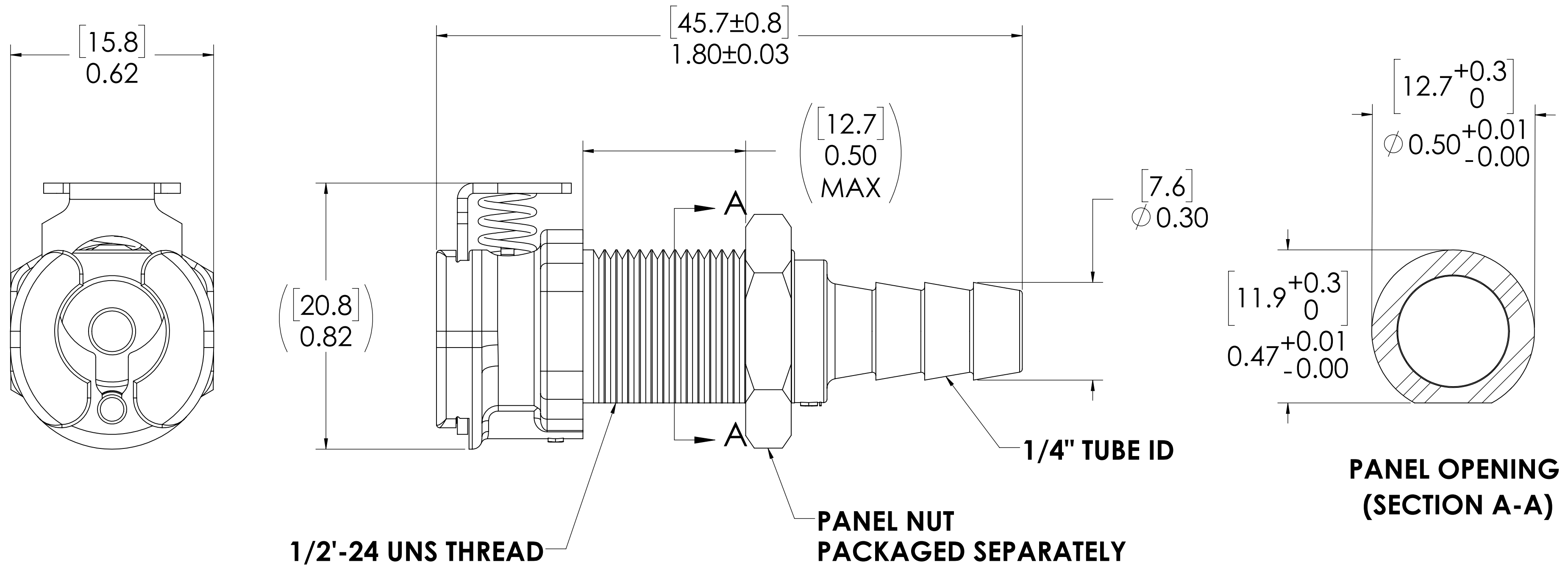


REVISIONS						
SHEET	ZONE	REV.	ECO	DESCRIPTION	DATE	APPROVED
1	ALL	A	50242	PIN, PIN SPRING & FORMAT UPDATE	11/1/2017	HRC

**LATCH
HARDWARE,
(STAINLESS STEEL)**



**SOCKET,
(ACETAL)**



**PANEL OPENING
(SECTION A-A)**

FOR REFERENCE ONLY

NOTES:

- MATERIAL: ACETAL
- COLOR: NATURAL WHITE

UNLESS OTHERWISE SPECIFIED:		NAME	DATE	LINKTECH AN OFFICIAL COMPANY
DIMENSIONS ARE IN INCHES TOLERANCES: FRACTIONAL $\pm 1/32$ ANGULAR: MACH ± 0.5 BEND ± 2 ONE PLACE DECIMAL ± 0.1 TWO PLACE DECIMAL ± 0.01 THREE PLACE DECIMAL ± 0.005 TWO PLACE DUAL (mm) ± 0.12		DRAWN	RDA 8/16/2017	
PROPRIETARY AND CONFIDENTIAL THE INFORMATION CONTAINED IN THIS DRAWING IS THE SOLE PROPERTY OF LINKTECH LLC. ANY REPRODUCTION OR DISCLOSURE IN PART OR AS A WHOLE WITHOUT THE WRITTEN PERMISSION OF LINKTECH LLC IS STRICTLY PROHIBITED.		CHECKED	HRC 8/16/2017	DESCRIPTION: LinkTech 20AC Series Panel Mt. Female, Non-valved, 250 HB, Natural Acetal
		ENG APPR.	HRC 11-01-17	
		MFG APPR.	BDB 11-01-17	C 20AC200323 A
		PURCHASING	RK 11-01-17	SCALE: NTS WEIGHT: SHEET 1 OF 1
		COMMENTS:		