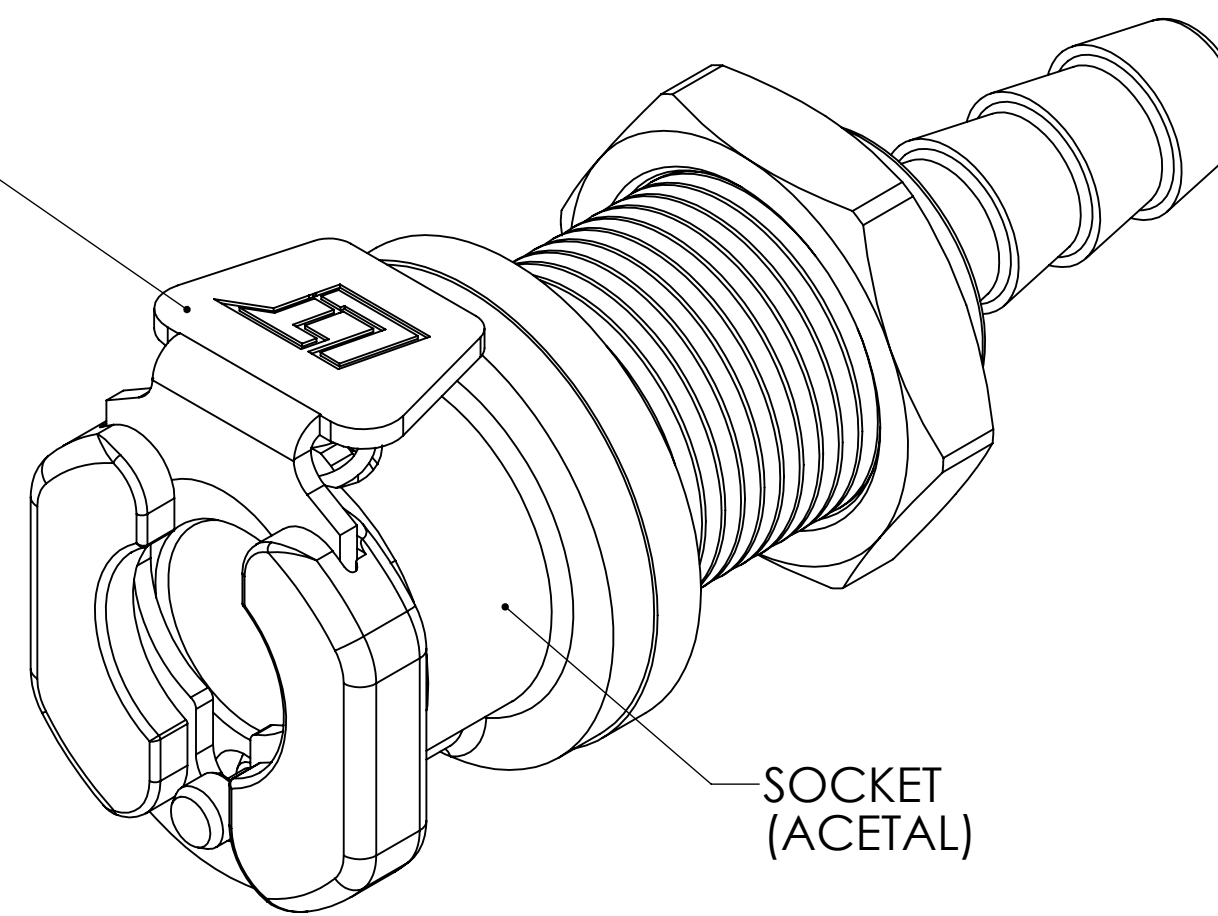
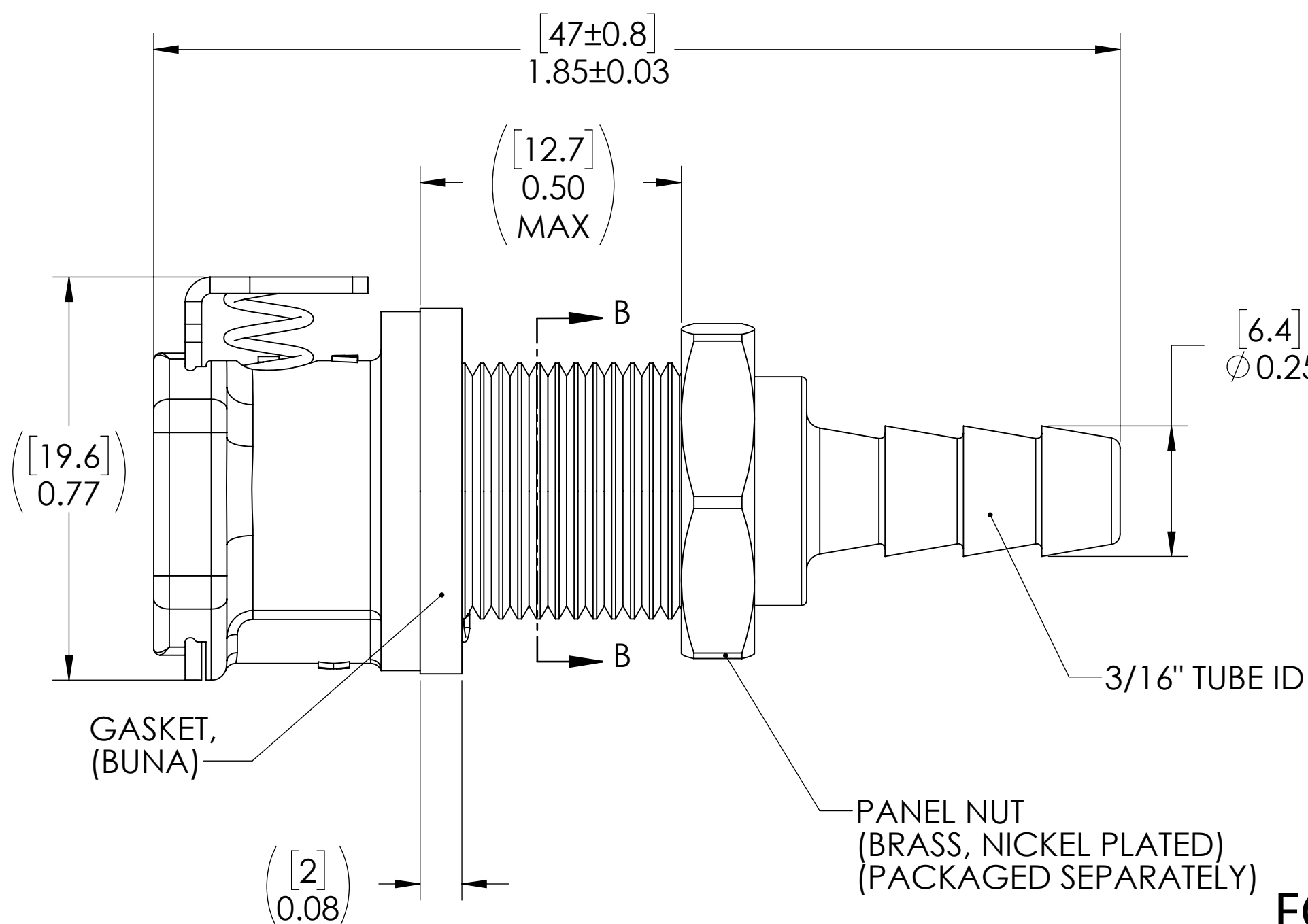
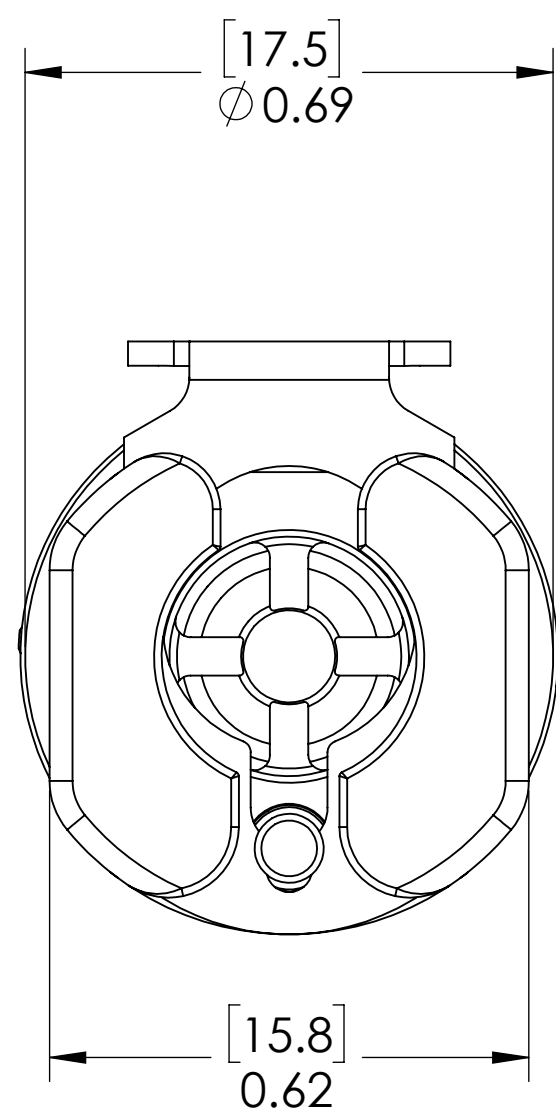


REVISIONS						
SHEET	ZONE	REV.	ECO	DESCRIPTION	DATE	APPROVED
ALL	ALL	A	50242	UPDATED PIN & PIN SPRING AND FORMAT	1/9/2020	HRC

LATCH HARDWARE
(STAINLESS STEEL)



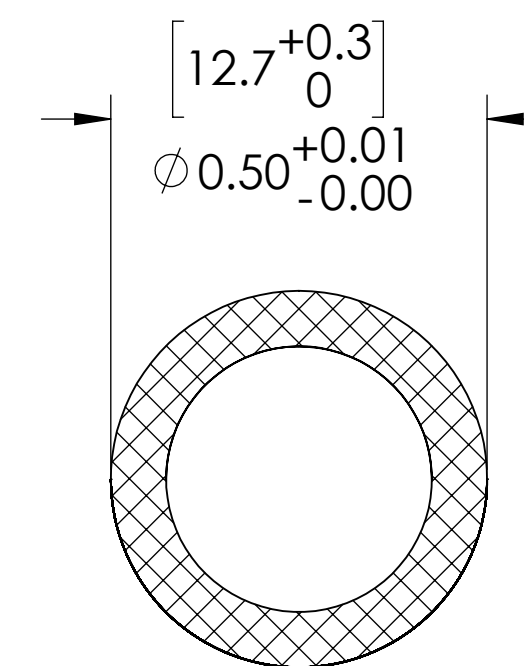
SOCKET
(ACETAL)



GASKET,
(BUNA)

PANEL NUT
(BRASS, NICKEL PLATED)
(PACKAGED SEPARATELY)

3/16" TUBE ID



PANEL OPENING
(SECTION B-B)

FOR REFERENCE ONLY

NOTES:

- MATERIAL: ACETAL
- COLOR: NATURAL WHITE
- GASKET MATERIAL: BUNA

UNLESS OTHERWISE SPECIFIED:		NAME	DATE	
DIMENSIONS ARE IN INCHES TOLERANCES: FRACTIONAL ± 1/32 ANGULAR: MACH ± 0.5 BEND ± 2 ONE PLACE DECIMAL ± 0.1 TWO PLACE DECIMAL ± 0.01 THREE PLACE DECIMAL ± 0.005 TWO PLACE DUAL (mm) [± 0.12]		DRAWN	HRC 04-13-11	
PROPRIETARY AND CONFIDENTIAL		CHECKED	HRC 04-13-11	
THE INFORMATION CONTAINED IN THIS DRAWING IS THE SOLE PROPERTY OF LINKTECH LLC. ANY REPRODUCTION OR DISCLOSURE IN PART OR AS A WHOLE WITHOUT THE WRITTEN PERMISSION OF LINKTECH LLC IS STRICTLY PROHIBITED.		ENG APPR.	HRC 1/9/20	DESCRIPTION: LinkTech 20AC Series Panel Mt. Female, Non-Valved, 316 HB, Gasket Seal, Natural Acetal
		MFG APPR.	BDB 1/9/20	
		Q.A.	LS 1/9/20	SIZE DWG. NO. REV
		COMMENTS:		C 20AC200137 A
				SCALE: NTS WEIGHT: SHEET 1 OF 1