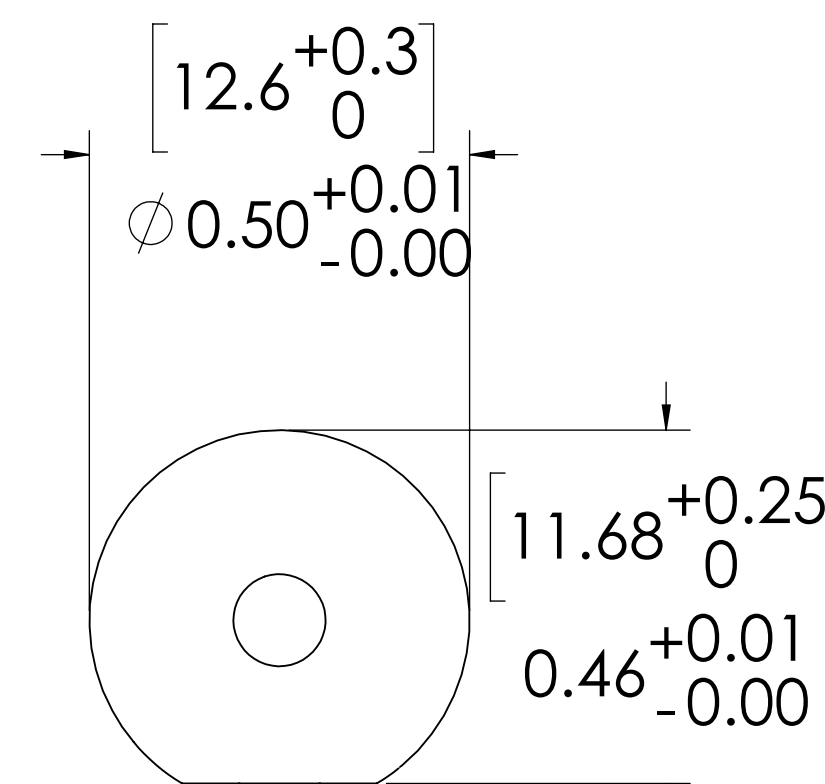
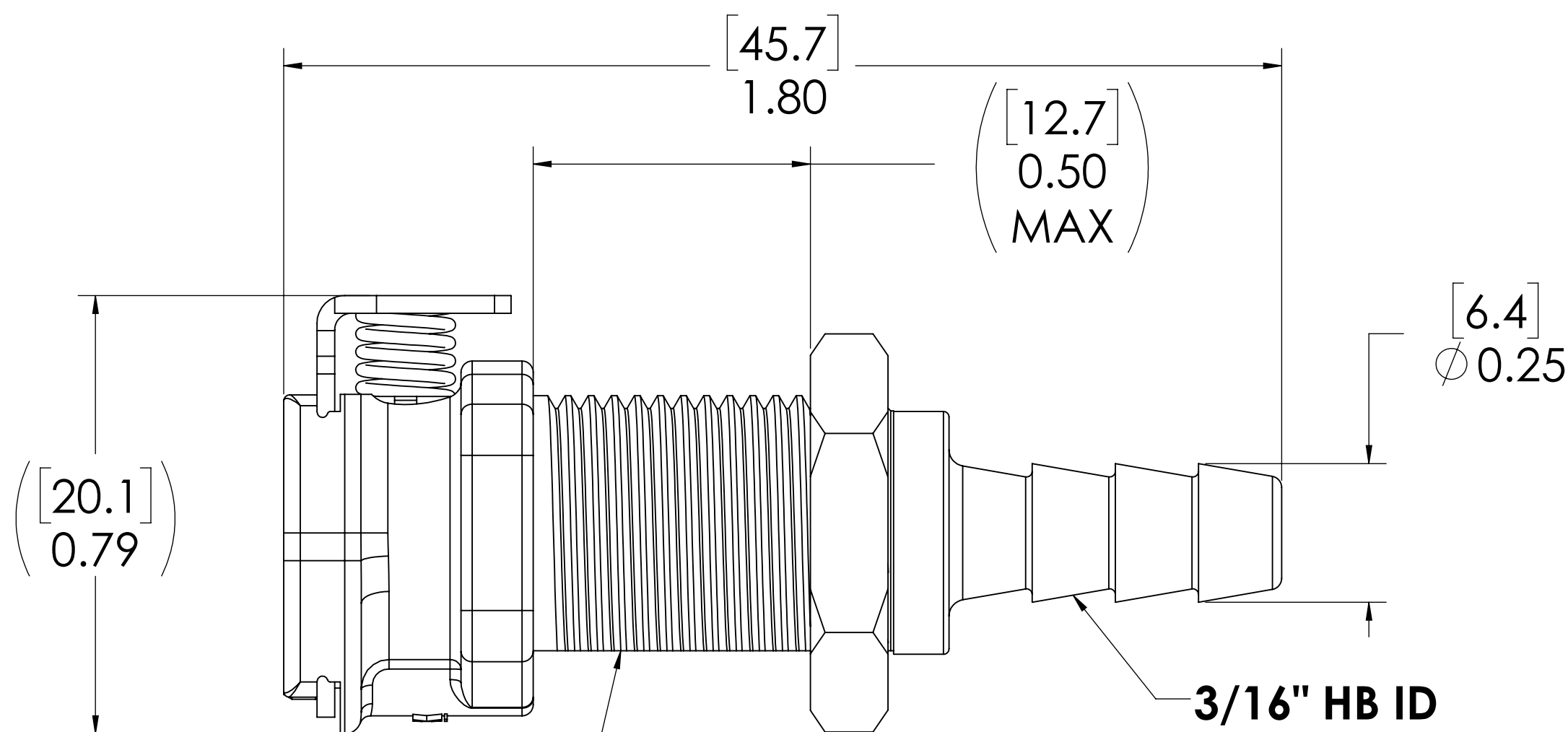
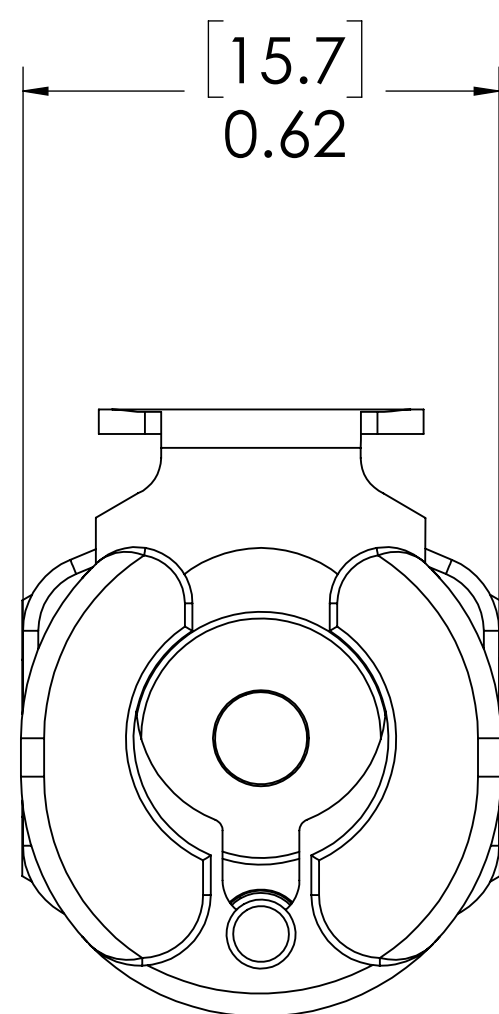
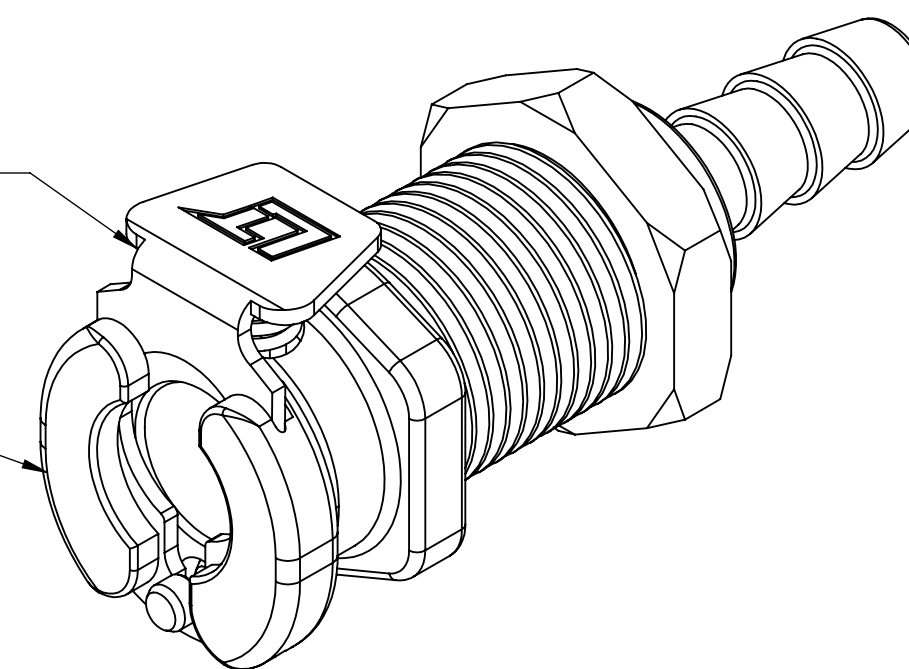


REVISIONS						
SHEET	ZONE	REV.	ECO	DESCRIPTION	DATE	APPROVED
1	ALL	A	50242	IN, PIN SPRING & FORMAT UPDATE	10/25/2017	HRC

**LATCH
HARDWARE
(STAINLESS STEEL)**

**SOCKET,
(ACETAL)**



1/2-24 UNS THREAD

**PANEL NUT,
BRASS, NICKEL PLATED
(5/8 HEX)
PACKAGED SEPARATELY**

3/16" HB ID

PANEL OPENING

FOR REFERENCE ONLY

NOTES:

- MATERIAL: ACETAL
- COLOR: NATURAL WHITE

UNLESS OTHERWISE SPECIFIED:		NAME	DATE	
DIMENSIONS ARE IN INCHES TOLERANCES: FRACTIONAL ± 1/32 ANGULAR: MACH ± 0.5 BEND ± 2 ONE PLACE DECIMAL ± 0.1 TWO PLACE DECIMAL ± 0.01 THREE PLACE DECIMAL ± 0.005 TWO PLACE DUAL (mm) [± 0.12]		DRAWN	RDA 8/16/2017	
PROPRIETARY AND CONFIDENTIAL		CHECKED	HRC 8/16/2017	
THE INFORMATION CONTAINED IN THIS DRAWING IS THE SOLE PROPERTY OF LINKTECH LLC. ANY REPRODUCTION OR DISCLOSURE IN PART OR AS A WHOLE WITHOUT THE WRITTEN PERMISSION OF LINKTECH LLC IS STRICTLY PROHIBITED.		ENG APPR.	HRC 10-25-17	DESCRIPTION: LinkTech 20AC Series Panel Mt. Female, Non-valved, 316 HB Natural Acetal
		MFG APPR.	BDB 10-25-17	
		Q.A.	JJB 10-25-17	SIZE DWG. NO. REV
		COMMENTS:		C 20AC200318 A
				SCALE: NTS WEIGHT: SHEET 1 OF 1