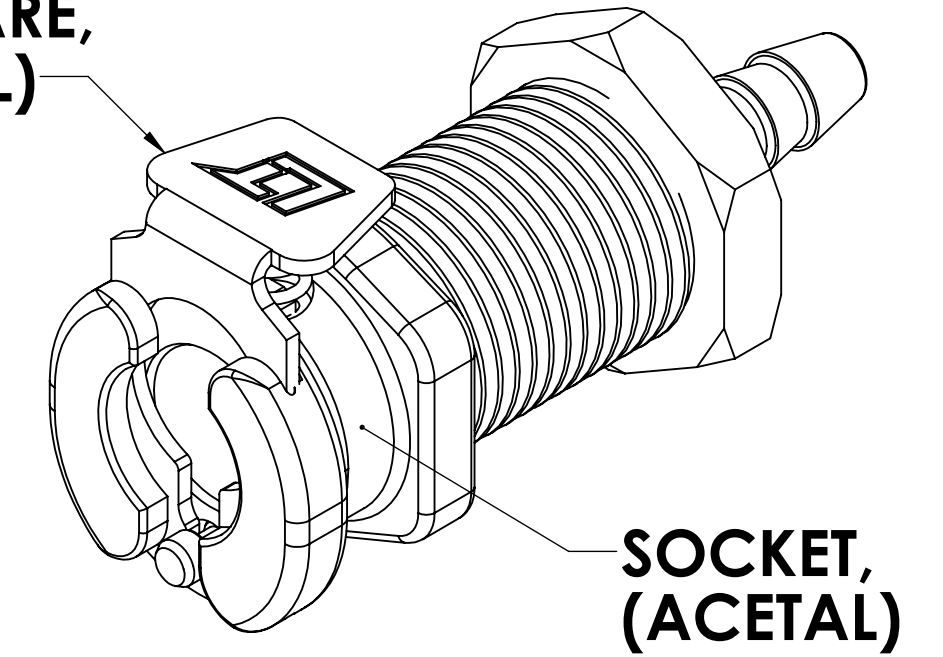
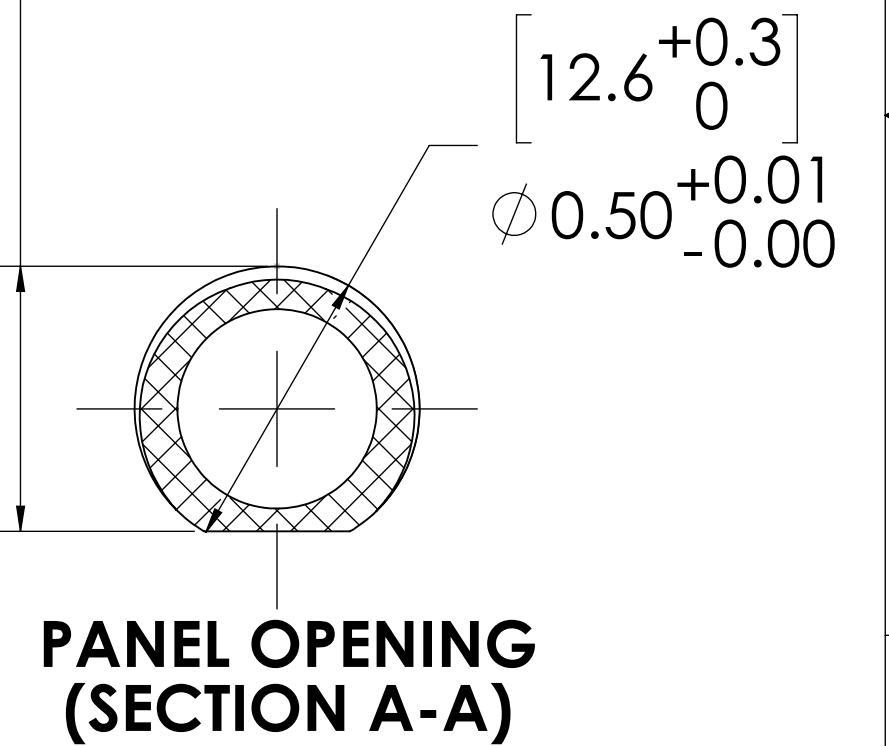
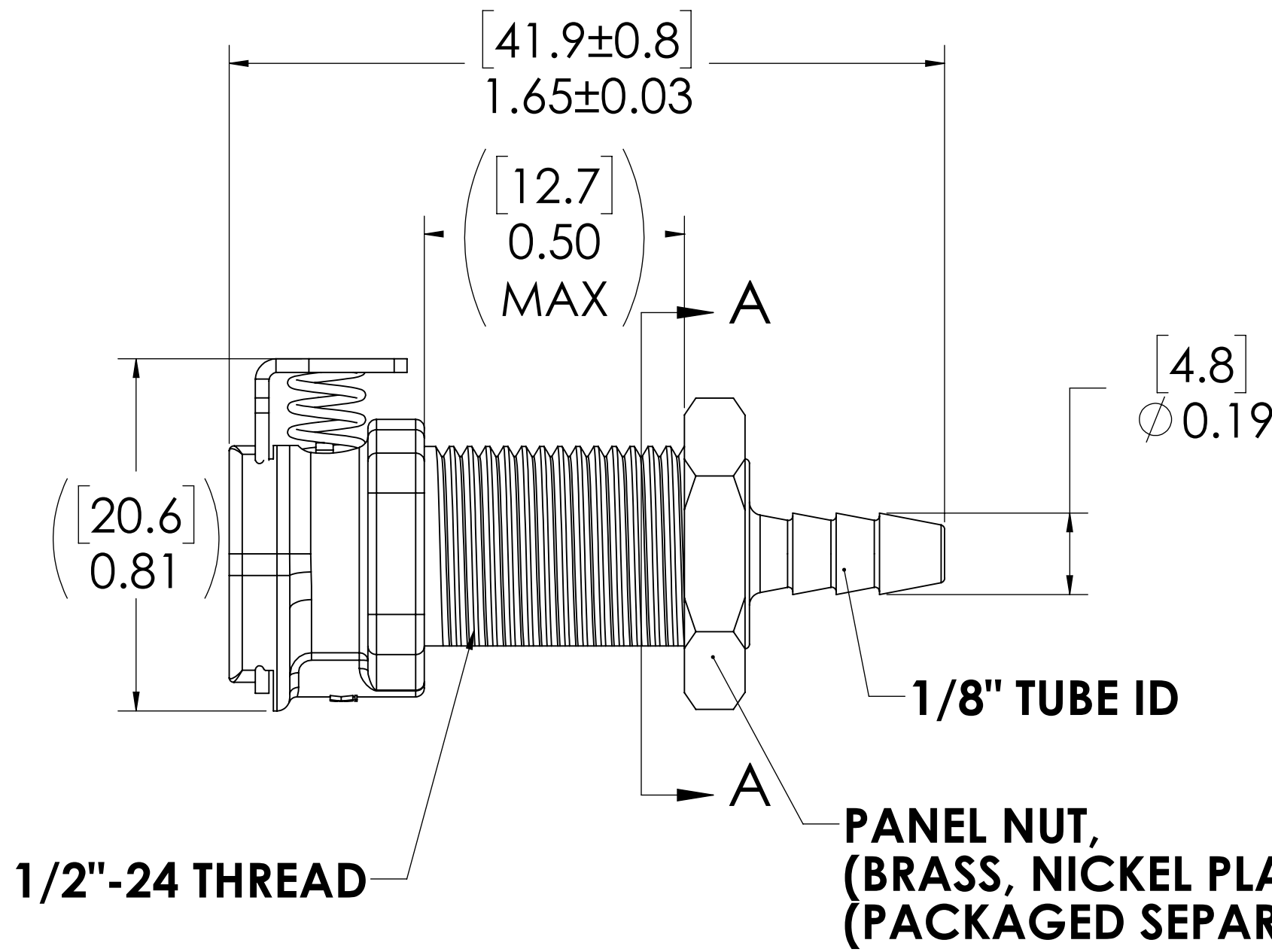
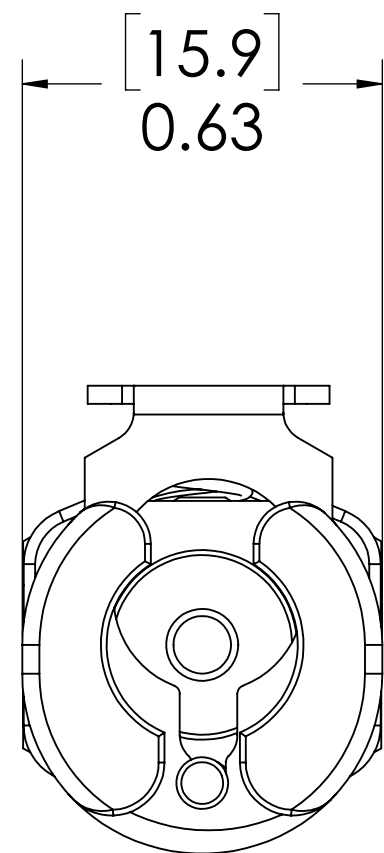


REVISIONS						
SHEET	ZONE	REV.	ECO	DESCRIPTION	DATE	APPROVED
1	ALL	A	50242	UPDATE DWG TO CURRENT FORMAT & STANDARDS	7/24/2018	HRC

**LATCH HARDWARE,  
(STAINLESS STEEL)**



**SOCKET,  
(ACETAL)**



**FOR REFERENCE ONLY**

- NOTES:**
- MATERIAL: ACETAL
  - COLOR: NATURAL WHITE

UNLESS OTHERWISE SPECIFIED:		NAME	DATE	<b>LINKTECH</b> ANALOGICAL EQUIPMENT
DIMENSIONS ARE IN INCHES TOLERANCES: FRACTIONAL $\pm 1/32$ ANGULAR: MACH $\pm 0.5$ BEND $\pm 2$ ONE PLACE DECIMAL $\pm 0.1$ TWO PLACE DECIMAL $\pm 0.01$ THREE PLACE DECIMAL $\pm 0.005$ TWO PLACE DUAL (mm) $[\pm 0.12]$		DRAWN	ER 08-17-17	
PROPRIETARY AND CONFIDENTIAL		CHECKED	HRC 08-17-17	
THE INFORMATION CONTAINED IN THIS DRAWING IS THE SOLE PROPERTY OF LINKTECH LLC. ANY REPRODUCTION OR DISCLOSURE IN PART OR AS A WHOLE WITHOUT THE WRITTEN PERMISSION OF LINKTECH LLC IS STRICTLY PROHIBITED.		ENG APPR.	HRC 7/24/18	DESCRIPTION: <b>LinkTech 20AC Series Panel Mt. Female, Non-valved, 1/8" HB, Natural Acetal</b>
		MFG APPR.	BDB 7/24/18	
		PRODUCTION	LS 7/24/18	SIZE DWG. NO. REV
		COMMENTS:		<b>C 20AC200315 A</b>
				SCALE: NTS WEIGHT: SHEET 1 OF 1