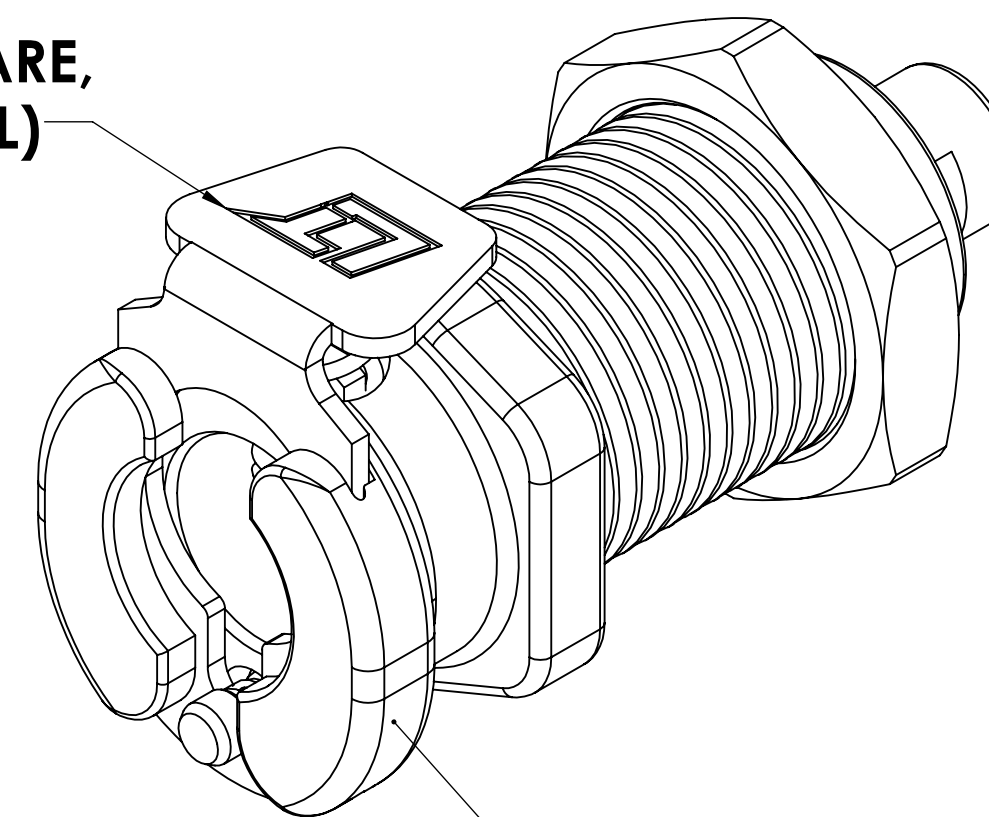
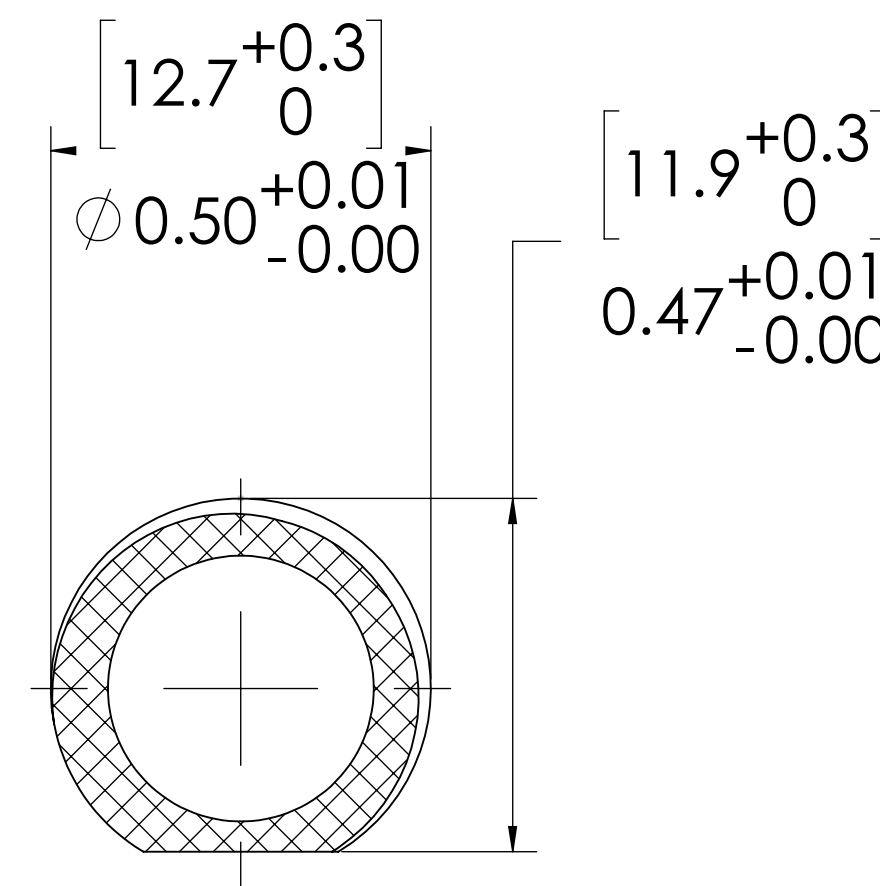
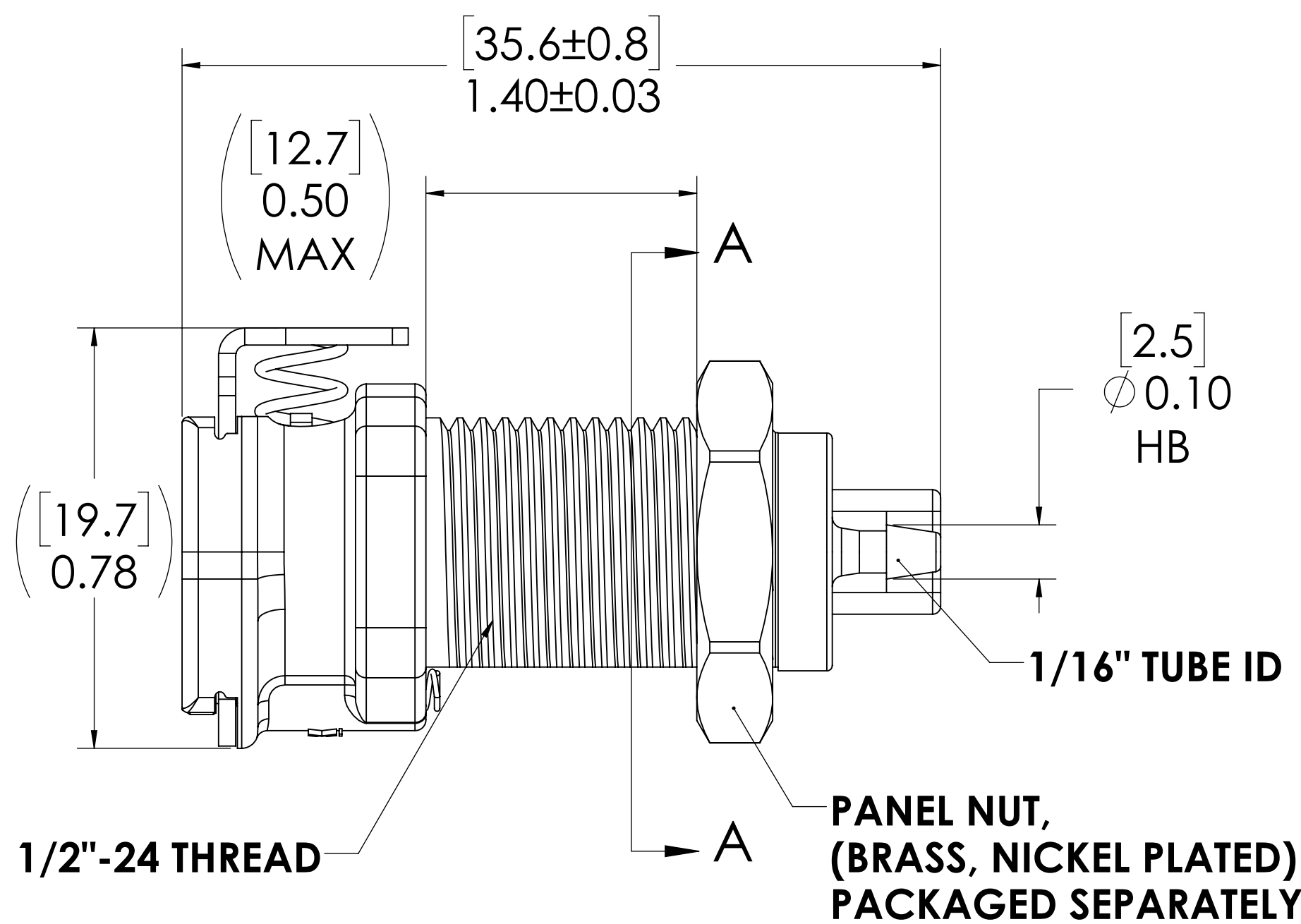
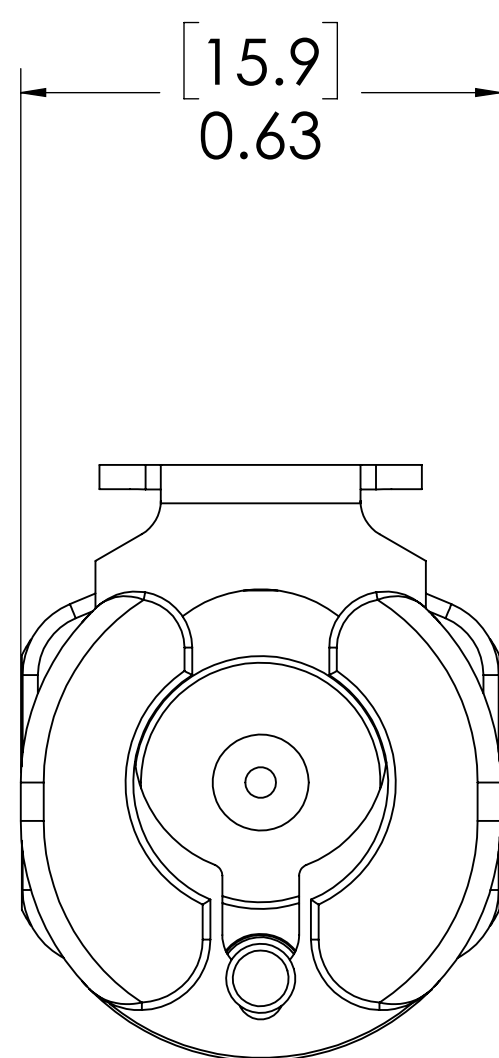


REVISIONS						
SHEET	ZONE	REV.	ECO	DESCRIPTION	DATE	APPROVED
1	ALL	A	50242	PIN, PIN SPRING & 2017 FORMAT UPDATE	4/12/2018	HRC

**LATCH HARDWARE,  
(STAINLESS STEEL)**



**SOCKET,  
(ACETAL)**



**PANEL OPENING  
(SECTION A-A)**

**FOR REFERENCE ONLY**

**NOTES:**

- MATERIAL: ACETAL
- COLOR: NATURAL WHITE

<small>UNLESS OTHERWISE SPECIFIED: DIMENSIONS ARE IN INCHES TOLERANCES: FRACTIONAL ±1/32 ANGULAR: MACH ±0.5 BEND ±2 ONE PLACE DECIMAL ±0.1 TWO PLACE DECIMAL ±0.01 THREE PLACE DECIMAL ±0.005 TWO PLACE DECIMAL (mm) [±0.12]</small>	DRAWN	ER	10-02-17	
	CHECKED	HRC	10-02-17	
	ENG APPR.	HRC	4/12/18	
	MFG APPR.	BDB	4/12/18	
<small>PROPRIETARY AND CONFIDENTIAL THE INFORMATION CONTAINED IN THIS DRAWING IS THE SOLE PROPERTY OF LINKTECH LLC. ANY REPRODUCTION OR DISCLOSURE IN PART OR AS A WHOLE WITHOUT THE WRITTEN PERMISSION OF LINKTECH LLC IS STRICTLY PROHIBITED.</small>	PURCHASING	RK	4/12/18	PART NO: 20AC-S3-01 DESCRIPTION: LinkTech 20AC Series Panel Mt. Female, Non-valved, 1/16" HB, Natural Acetal
SIZE DWG. NO. REV C 20AC200357 A		SCALE: NTS WEIGHT: SHEET 1 OF 1		