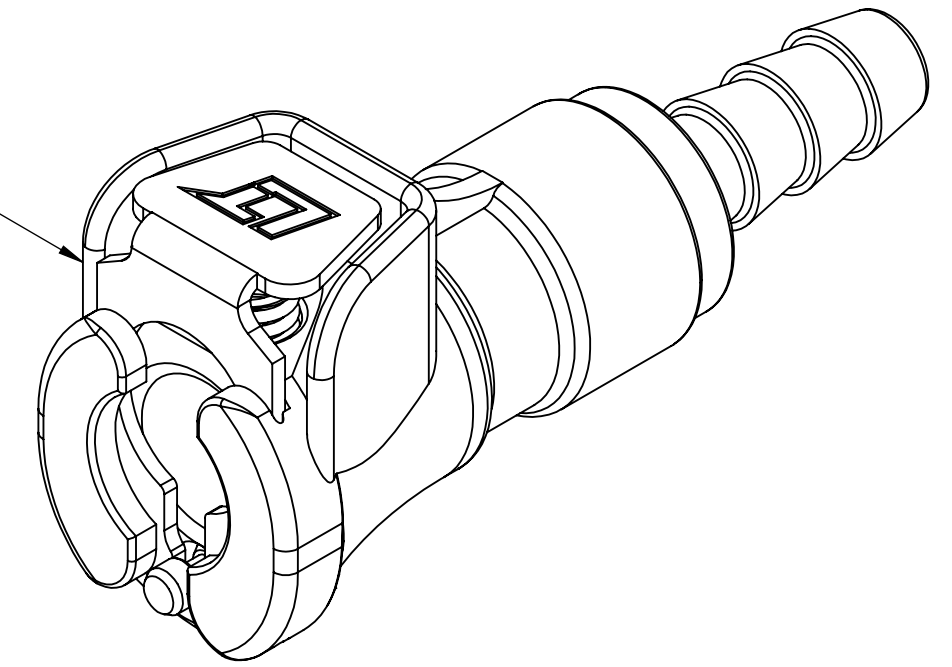
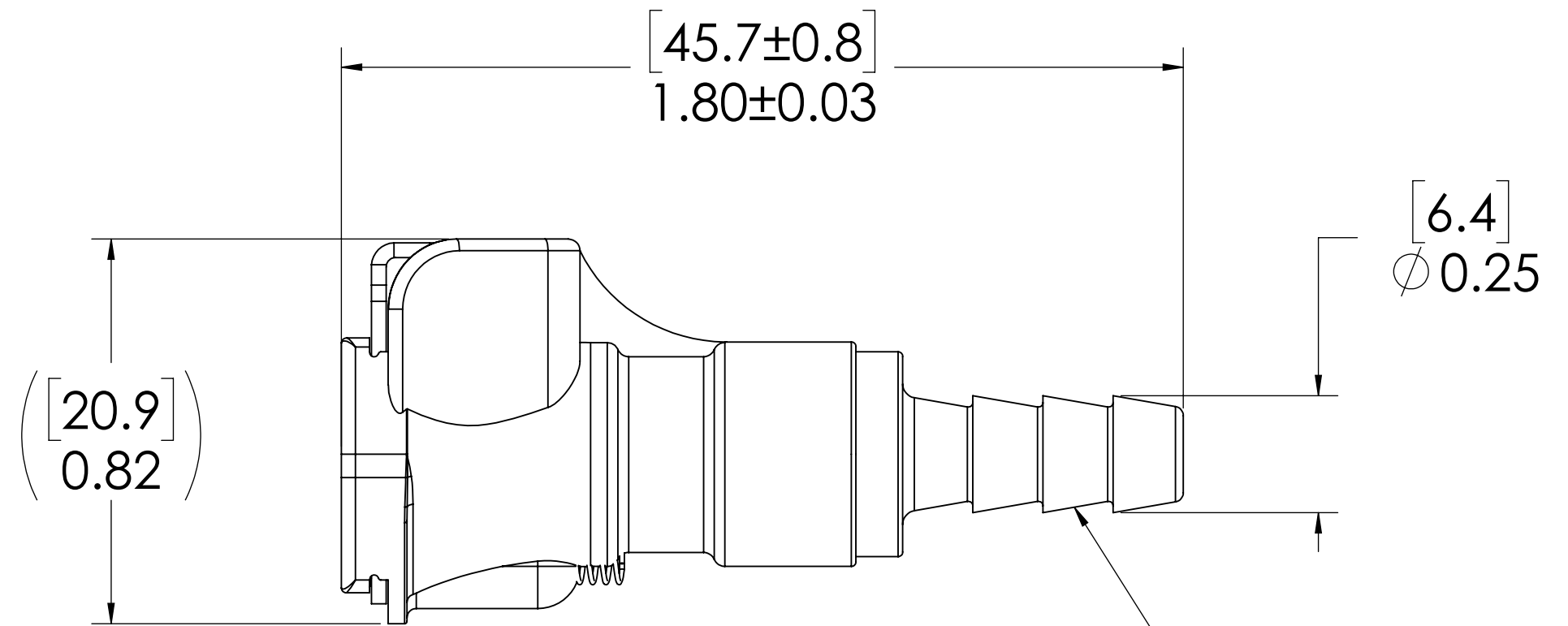
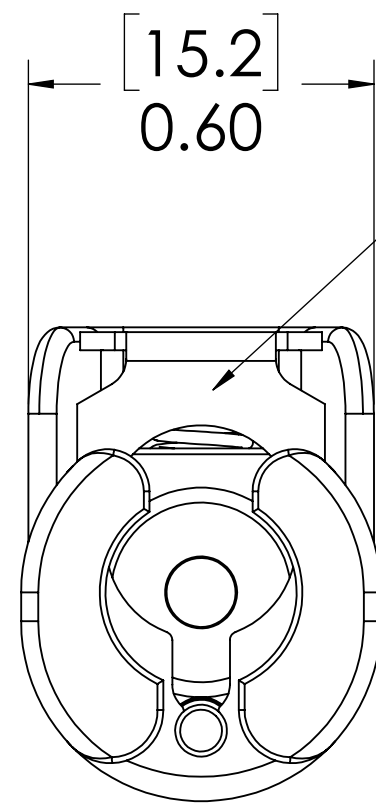


REVISIONS						
SHEET	ZONE	REV.	ECO	DESCRIPTION	DATE	APPROVED
1	ALL	A	50242	PIN AND PIN SPRING UPDATE	11/1/2017	HRC

**SOCKET,  
(ACETAL)**



**LATCH HARDWARE,  
(STAINLESS STEEL)**



**3/16" TUBE ID**

**NOTES:**

1. MATERIAL: ACETAL
2. COLOR: NATURAL WHITE

**FOR REFERENCE ONLY**

<small>UNLESS OTHERWISE SPECIFIED: DIMENSIONS ARE IN INCHES TOLERANCES: FRACTIONAL ± 1/32 ANGULAR: MACH ± 0.5 BEND ± 2 ONE PLACE DECIMAL ± 0.1 TWO PLACE DECIMAL ± 0.01 THREE PLACE DECIMAL ± 0.005 TWO PLACE DUAL (mm) [± 0.12]</small>	DRAWN	RDA	7/12/2017	
	CHECKED	HRC	8/4/2017	
	ENG APPR.	HRC	11-01-17	
	MFG APPR.	BDB	11-01-17	
<small>PROPRIETARY AND CONFIDENTIAL THE INFORMATION CONTAINED IN THIS DRAWING IS THE SOLE PROPERTY OF LINKTECH LLC. ANY REPRODUCTION OR DISCLOSURE IN PART OR AS A WHOLE WITHOUT THE WRITTEN PERMISSION OF LINKTECH LLC IS STRICTLY PROHIBITED.</small>	PURCHASING	RK	11-01-17	<b>PART NO: 20AC-S2-03</b>  <b>DESCRIPTION:</b> <b>LinkTech 20AC Series Straight Female, Non-valved, 316 HB, Natural Acetal</b>
<small>COMMENTS:</small>		<b>SIZE DWG. NO. REV</b> <b>C 20AC200322 A</b>	<b>SCALE: NTS WEIGHT: SHEET 1 OF 1</b>	