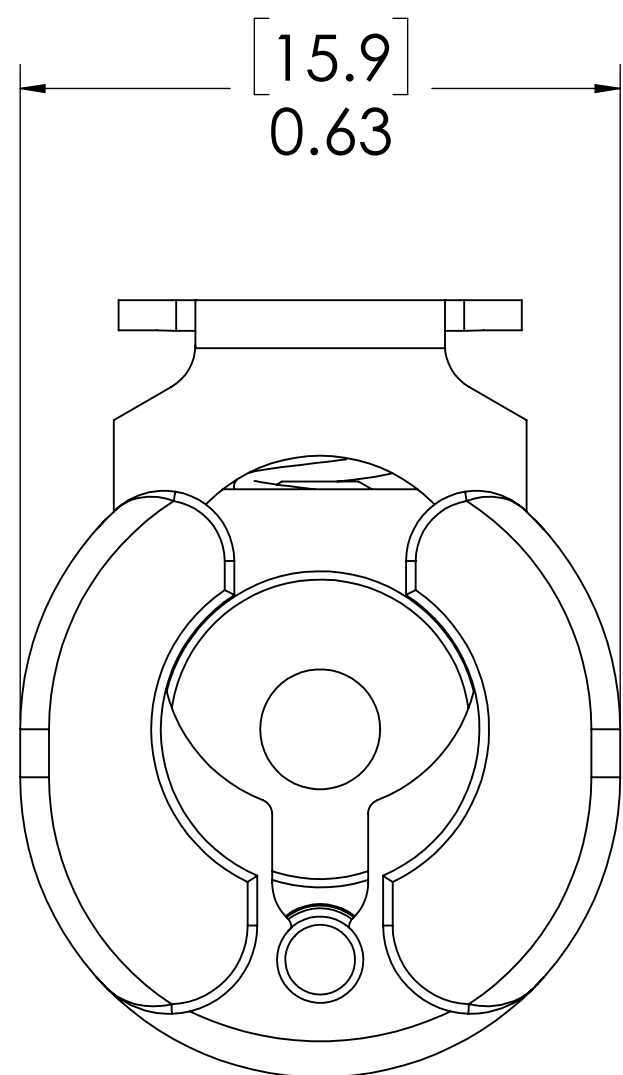
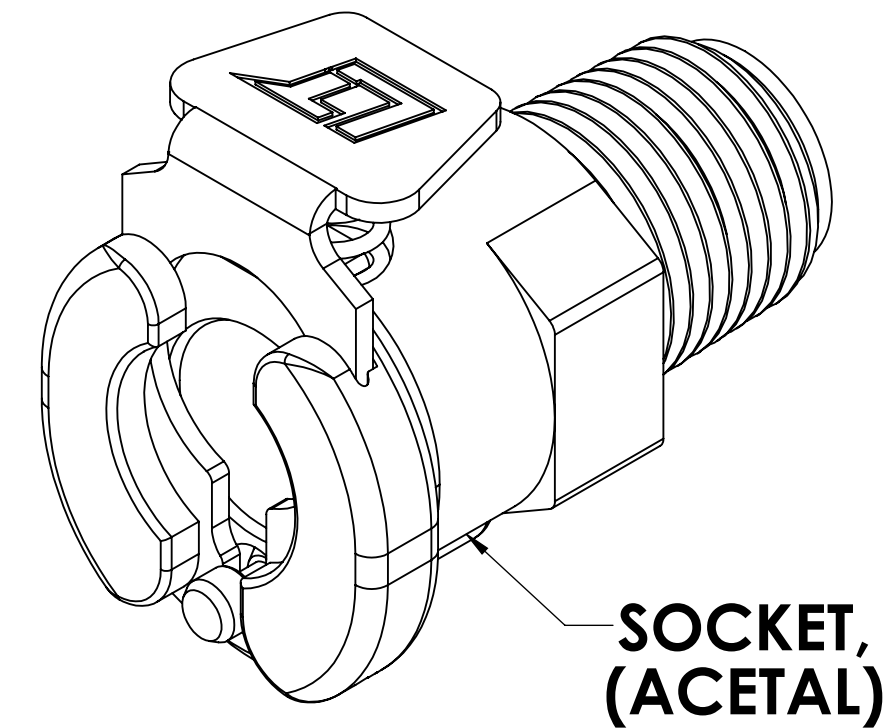
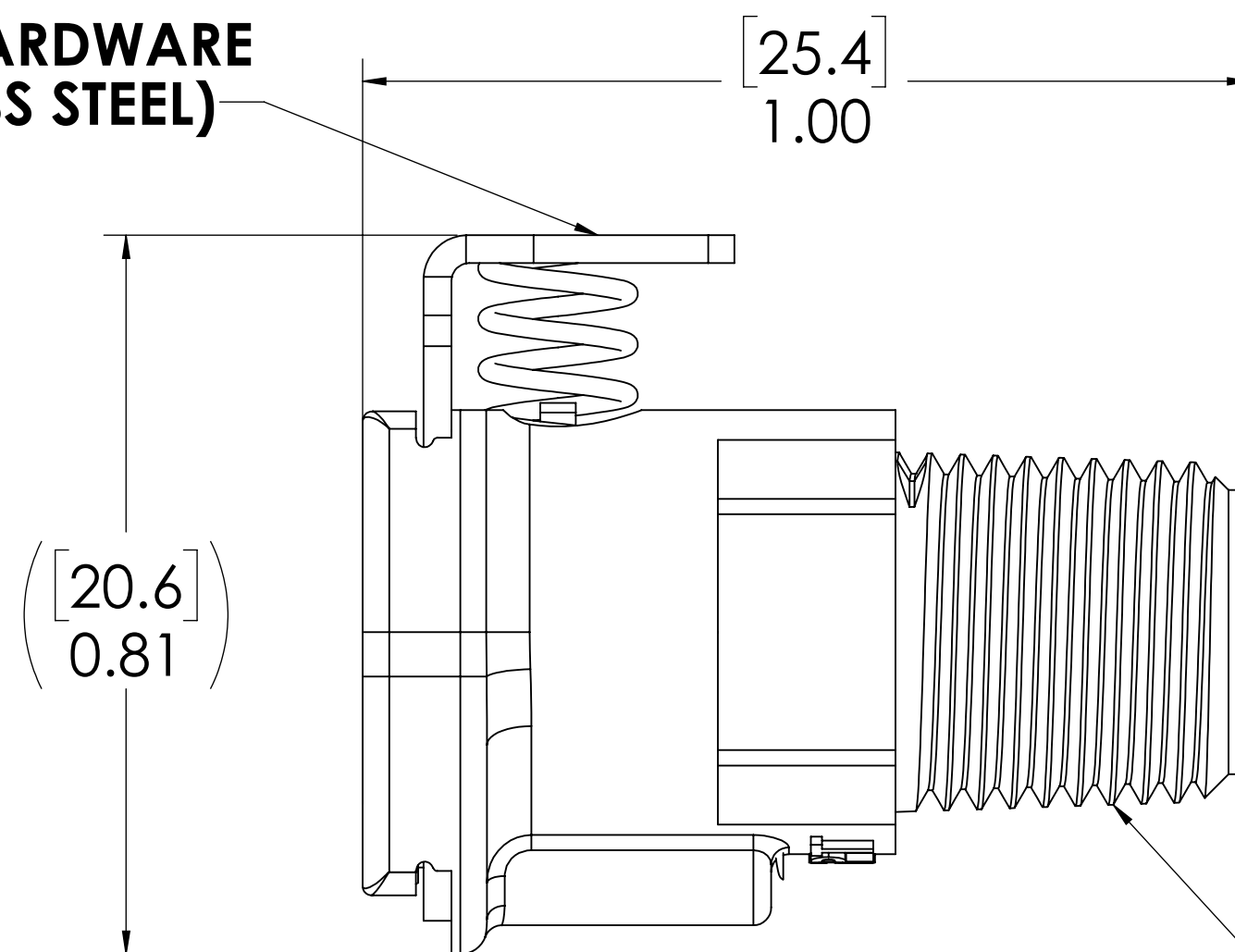


REVISIONS						
SHEET	ZONE	REV.	ECO	DESCRIPTION	DATE	APPROVED
1	ALL	A	50242	PIN, PIN SPRING & 2017 FORMAT UPDATE	6/28/2018	HRC



**LATCH HARDWARE
(STAINLESS STEEL)**




**1/8" BSPT
(PIPE THREADS)**

FOR REFERENCE ONLY

NOTES:

- MATERIAL: ACETAL
- COLOR: NATURAL WHITE

<small>UNLESS OTHERWISE SPECIFIED: DIMENSIONS ARE IN INCHES TOLERANCES: FRACTIONAL ± 1/32 ANGULAR: MACH ± 0.5 BEND ± 2 ONE PLACE DECIMAL ± 0.1 TWO PLACE DECIMAL ± 0.01 THREE PLACE DECIMAL ± 0.005 TWO PLACE DUAL (mm) [± 0.12]</small>	DRAWN	MMJ	8/15/2017	 PART NO: 20AC-S1-02BSPT
	CHECKED	HRC	8/15/17	
	ENG APPR.	HRC	6/28/18	
	MFG APPR.	BDB	6/28/18	
<small>PROPRIETARY AND CONFIDENTIAL THE INFORMATION CONTAINED IN THIS DRAWING IS THE SOLE PROPERTY OF LINKTECH LLC. ANY REPRODUCTION OR DISCLOSURE IN PART OR AS A WHOLE WITHOUT THE WRITTEN PERMISSION OF LINKTECH LLC IS STRICTLY PROHIBITED.</small>	PRODUCTION	JJB	6/28/18	<small>DESCRIPTION:</small> LinkTech 20AC Series Male Thread Female, Non-valved, 1/8" BSPT, Natural Acetal
<small>COMMENTS:</small>		<small>SIZE</small> C	<small>DWG. NO.</small> 20AC200385	<small>REV</small> A
<small>SCALE: NTS</small>		<small>WEIGHT:</small>	<small>SHEET 1 OF 1</small>	