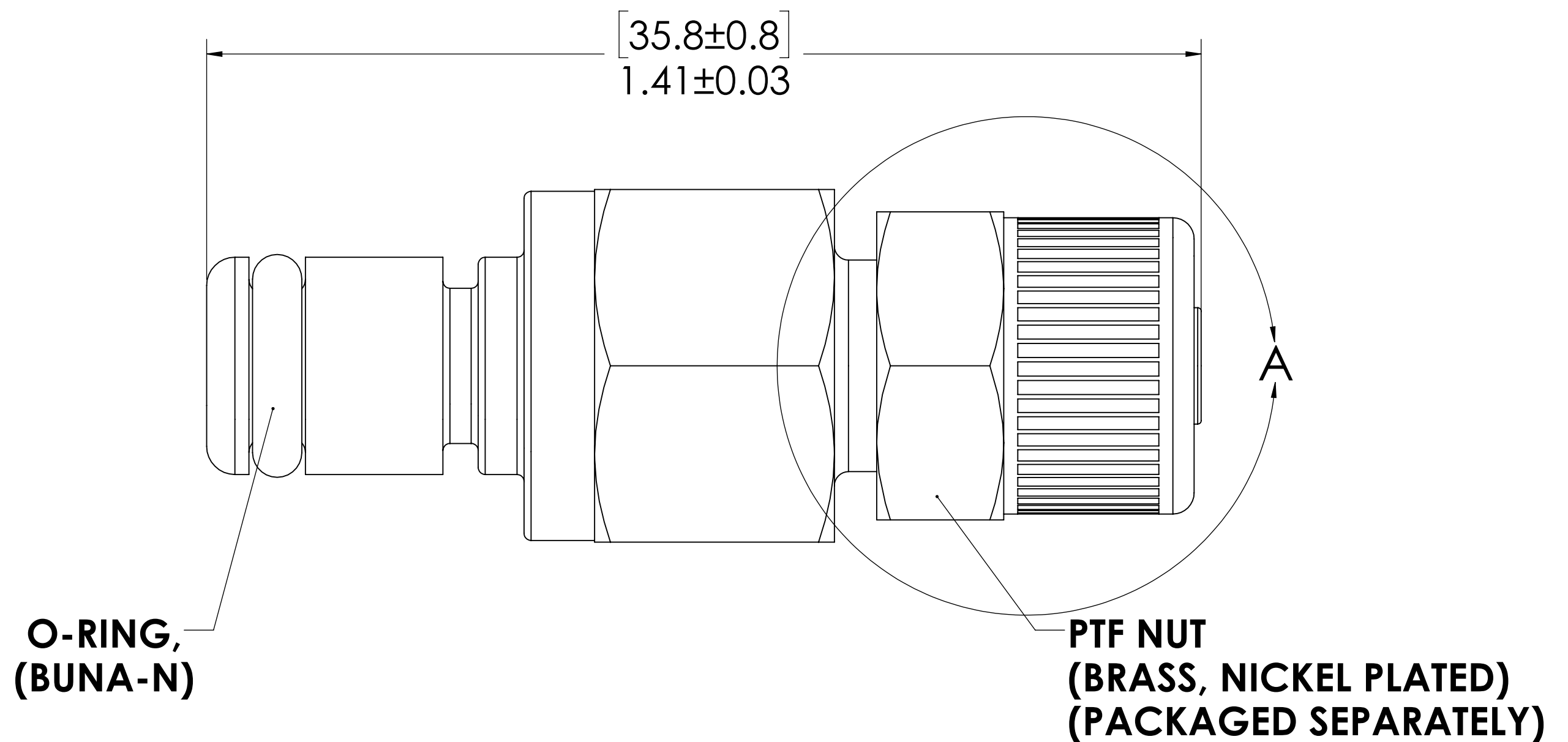
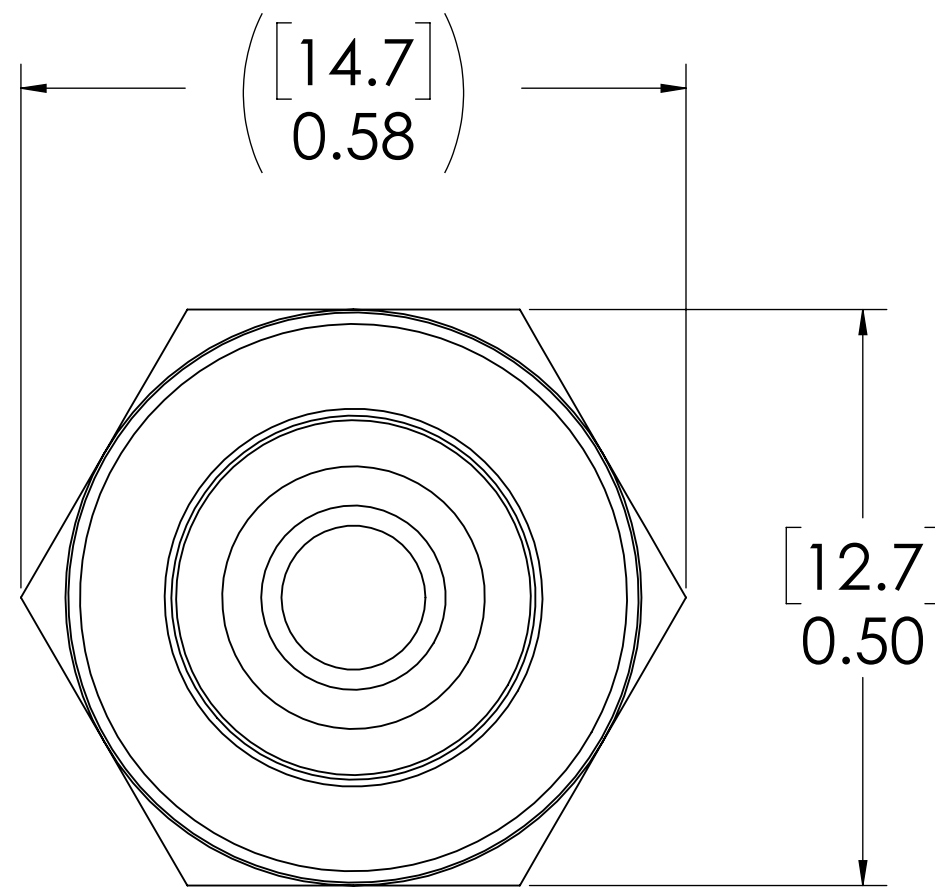
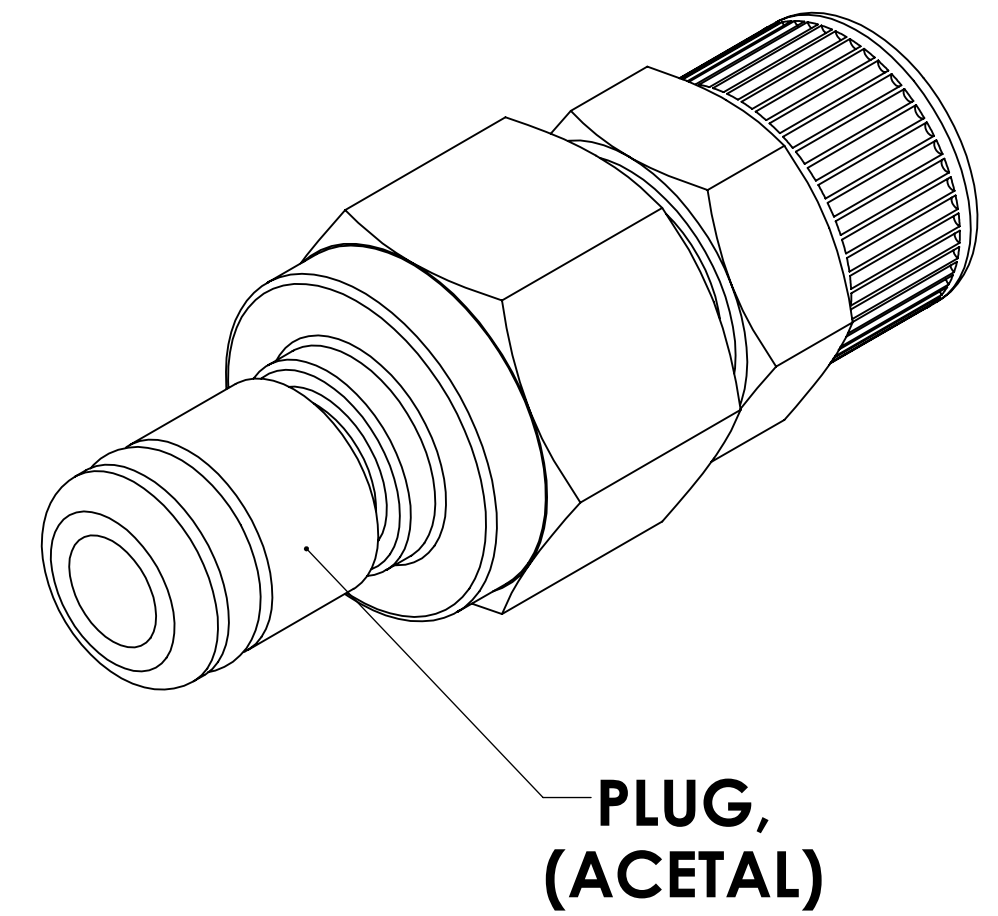
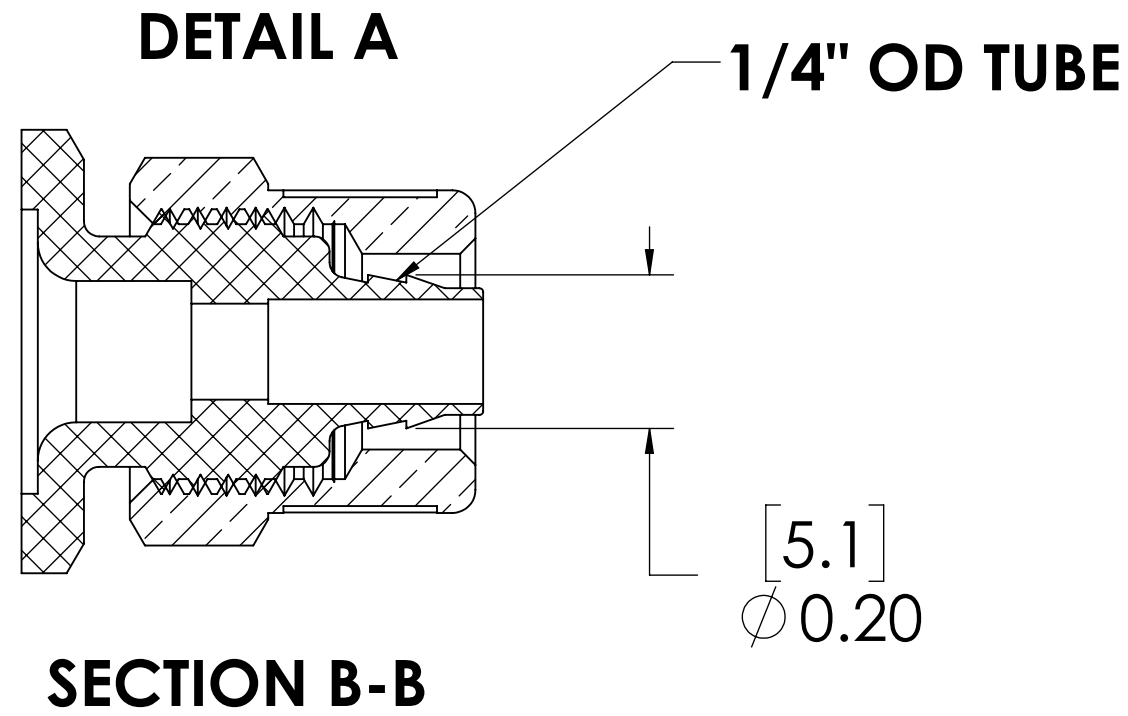
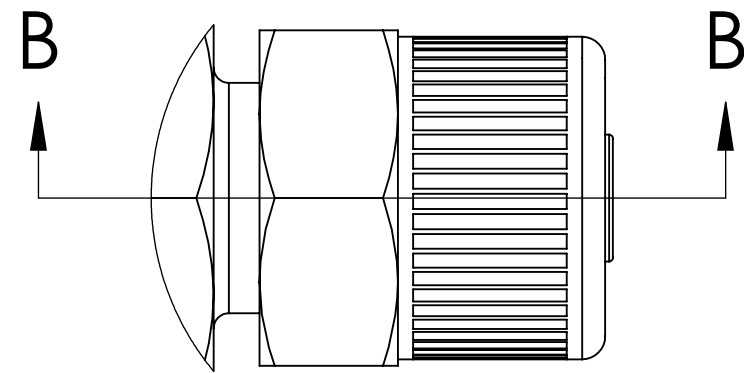


| REVISIONS | | | | | | |
|-----------|------|------|-------|---------------------|-----------|----------|
| SHEET | ZONE | REV. | ECO | DESCRIPTION | DATE | APPROVED |
| 1 | ALL | A | 50253 | DWG DRAFTING UPDATE | 5/15/2018 | HRC |



NOTES:

- MATERIAL: ACETAL
- COLOR: NATURAL WHITE
- O-RING MATERIAL: BUNA-N
- O-RINGS LUBRICATED WITH FOOD GRADE SILICONE OIL, 350 CST.

FOR REFERENCE ONLY

| | | | | |
|---|-----------|---------|----------|--|
| <small>UNLESS OTHERWISE SPECIFIED: DIMENSIONS ARE IN INCHES TOLERANCES: FRACTIONAL ± 1/32 ANGULAR, MACH ± 0.5 BEND ± 2 ONE PLACE DECIMAL ± 0.1 TWO PLACE DECIMAL ± 0.01 THREE PLACE DECIMAL ± 0.005 TWO PLACE DUAL (mm) [±0.12]</small> | DRAWN | CBH | 8/3/2017 | |
| | CHECKED | HRC | 8/3/2017 | |
| | ENG APPR. | HRC | 5-15-18 | |
| | MFG APPR. | BDB | 5-15-18 | |
| PRODUCTION | RK | 5-15-18 | | PART NO: 20AC-PB9-04 DESCRIPTION: LinkTech 20AC Series Straight Male, Non-valved, 1/4" PTF, Natural Acetal |
| <small>PROPRIETARY AND CONFIDENTIAL THE INFORMATION CONTAINED IN THIS DRAWING IS THE SOLE PROPERTY OF LINKTECH LLC. ANY REPRODUCTION OR DISCLOSURE IN PART OR AS A WHOLE WITHOUT THE WRITTEN PERMISSION OF LINKTECH LLC IS STRICTLY PROHIBITED.</small> | | | | SCALE: NTS WEIGHT: SHEET 1 OF 1 |