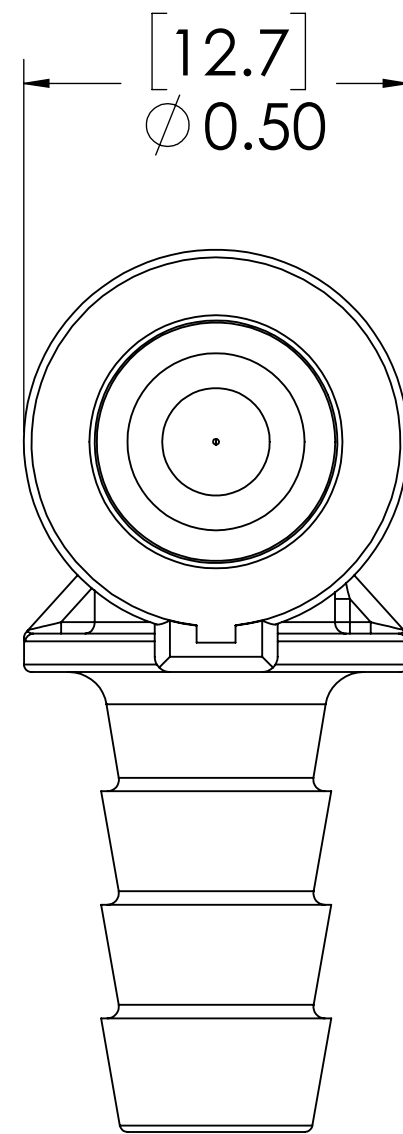
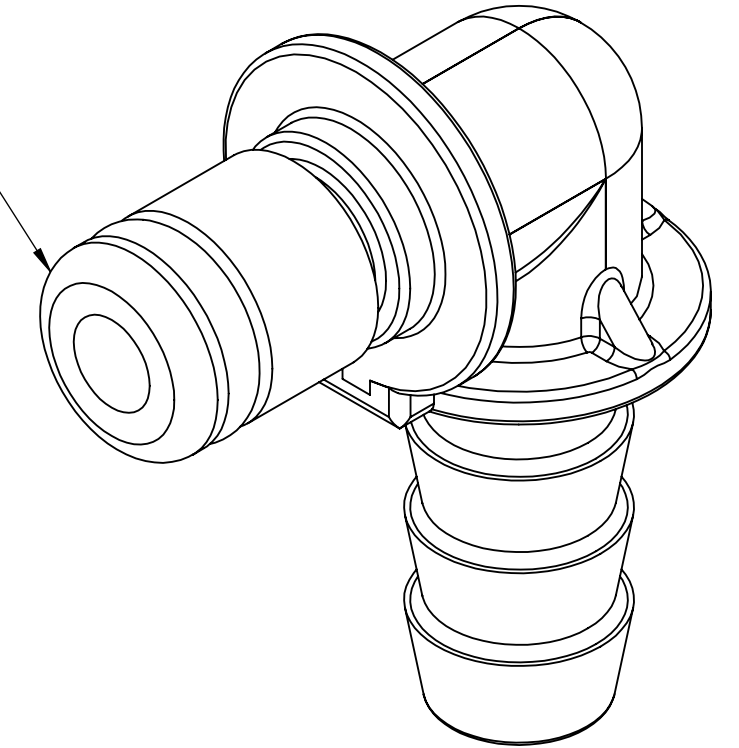
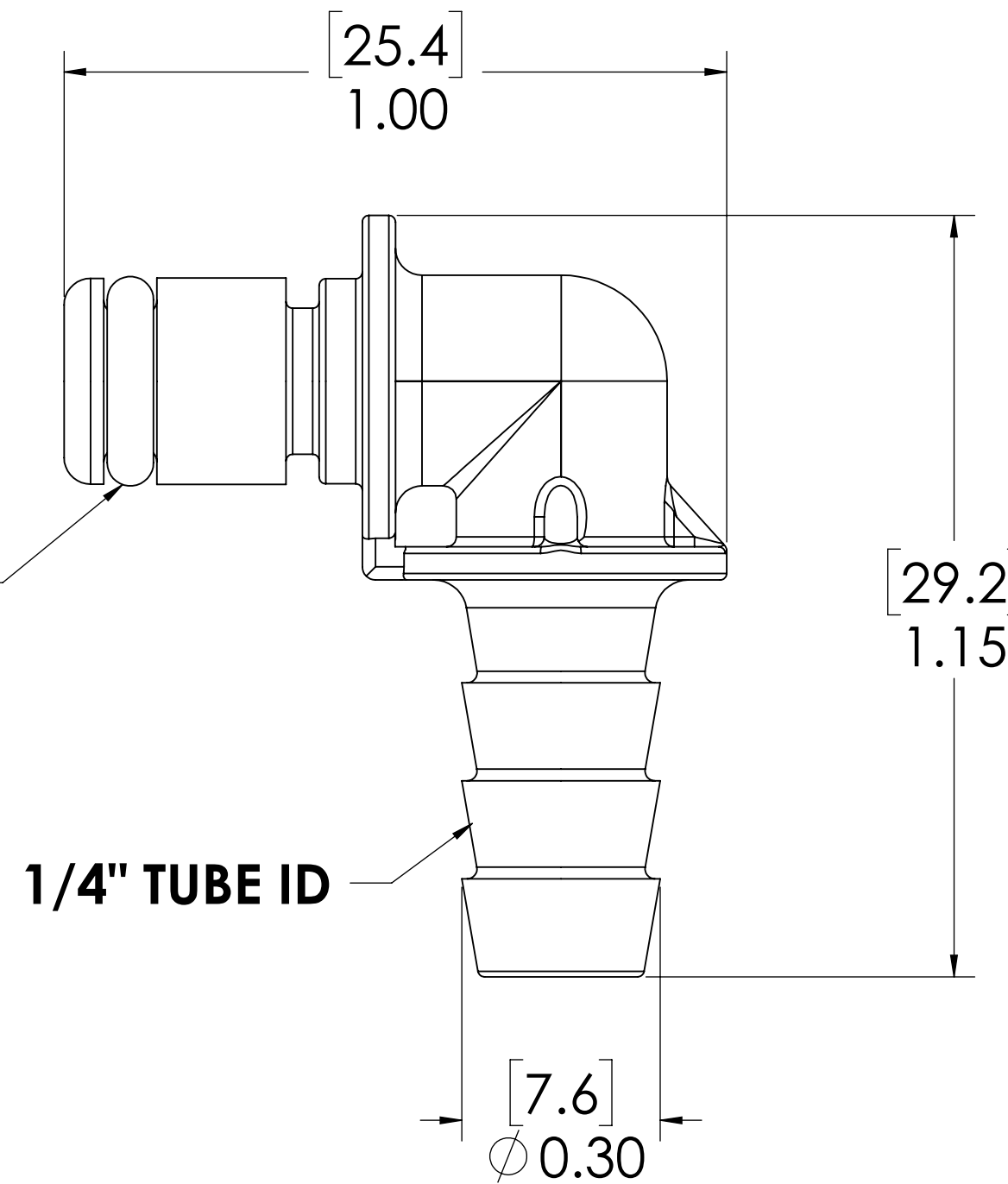


REVISIONS						
SHEET	ZONE	REV.	ECO	DESCRIPTION	DATE	APPROVED
1	ALL	A	50253	DRAFTING UPDATE	3/29/2019	HRC

**PLUG,
(ACETAL)**



**O-RING
EXTERNAL,
(BUNA-N)**




1/4" TUBE ID

NOTES:

1. MATERIAL: ACETAL
2. COLOR: NATURAL WHITE
3. O-RING MATERIAL: BUNA-N
4. O-RINGS LUBRICATED WITH FOOD GRADE SILICONE OIL, 350 CST.

FOR REFERENCE ONLY

<small>UNLESS OTHERWISE SPECIFIED: DIMENSIONS ARE IN INCHES TOLERANCES: FRACTIONAL ± 1/32 ANGULAR: MACH ± 0.5 BEND ± 2 ONE PLACE DECIMAL ± 0.1 TWO PLACE DECIMAL ± 0.01 THREE PLACE DECIMAL ± 0.005 TWO PLACE DUAL (mm) [±0.12]</small>	DRAWN	CBH	8/28/2017	 PART NO: 20AC-PB4-04 DESCRIPTION: LinkTech 20AC Series Elbow Male, Non-valved, 1/4" HB, Natural Acetal SIZE DWG. NO. REV C 20AC200377 A SCALE: NTS WEIGHT: SHEET 1 OF 1
	CHECKED	HRC	8/1/2017	
	ENG APPR.	HRC	3/29/19	
	MFG APPR.	BDB	3/29/19	
<small>PROPRIETARY AND CONFIDENTIAL THE INFORMATION CONTAINED IN THIS DRAWING IS THE SOLE PROPERTY OF LINKTECH LLC. ANY REPRODUCTION OR DISCLOSURE IN PART OR AS A WHOLE WITHOUT THE WRITTEN PERMISSION OF LINKTECH LLC IS STRICTLY PROHIBITED.</small>	PRODUCTION	LS	3/29/19	