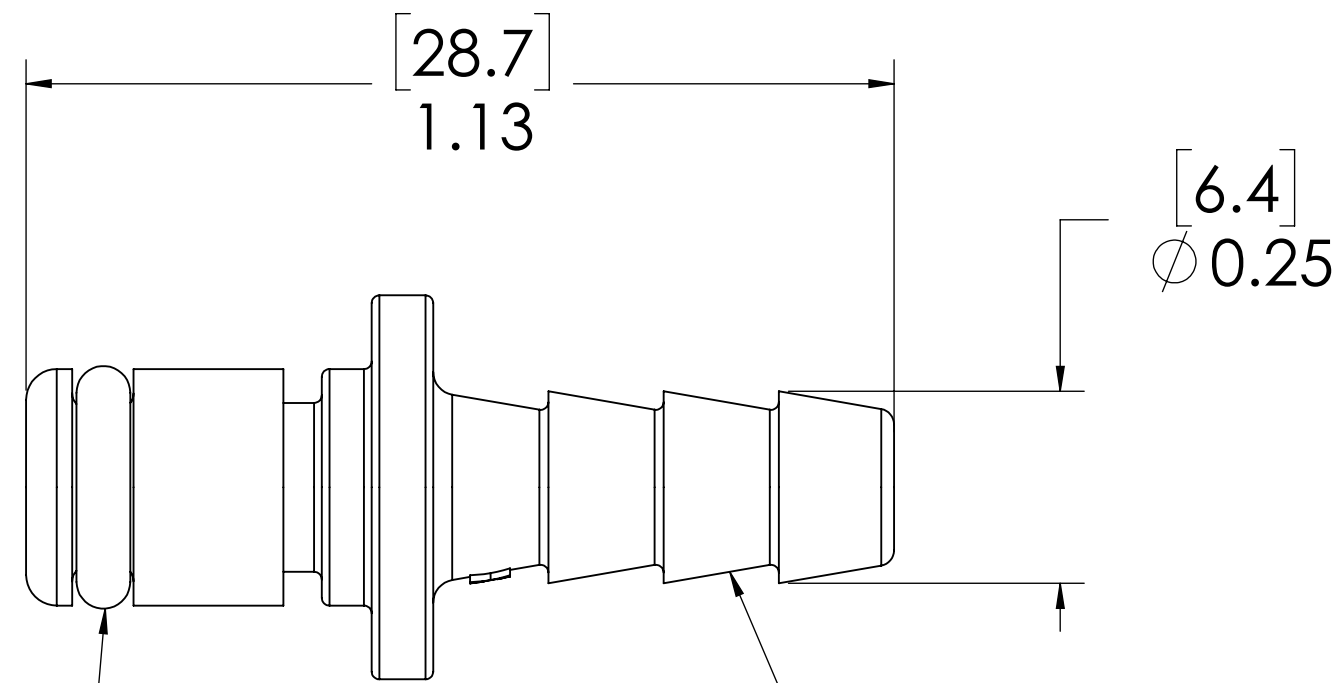
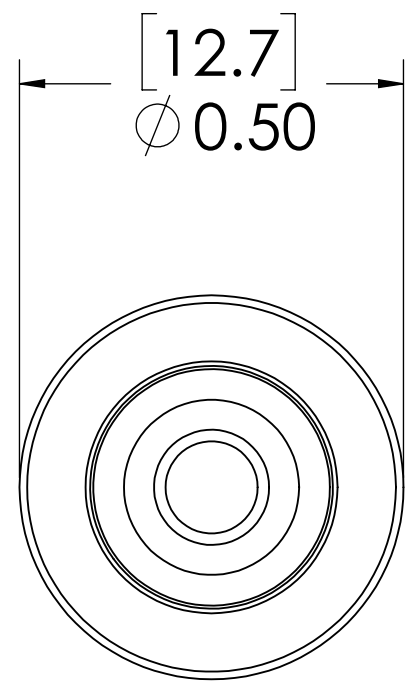
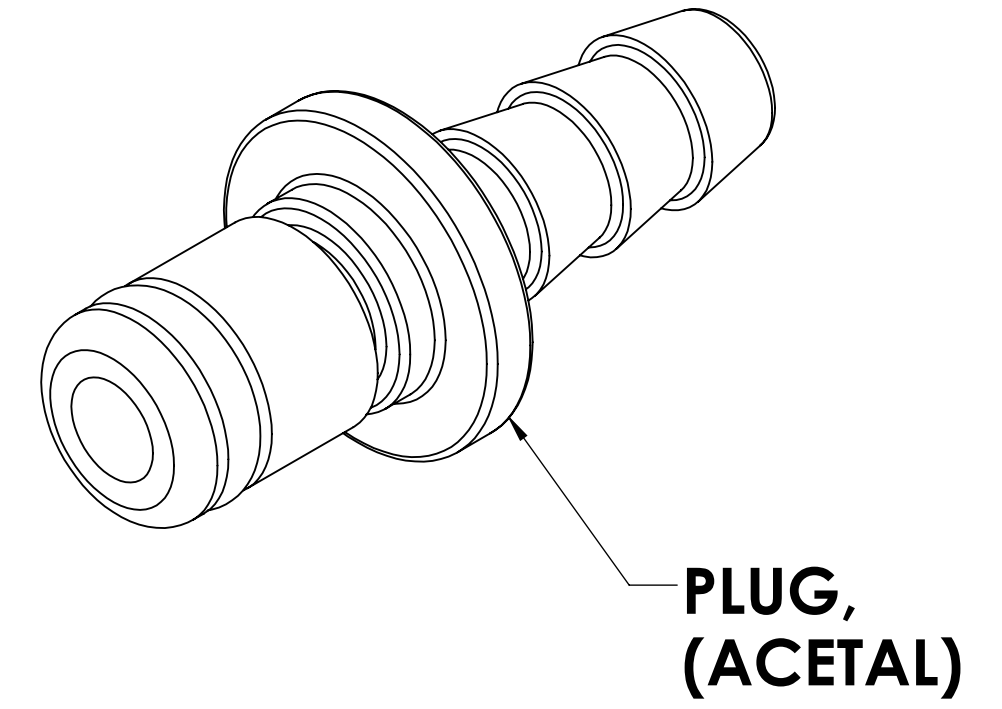


REVISIONS						
SHEET	ZONE	REV.	ECO	DESCRIPTION	DATE	APPROVED
1	F-7	A	50234	ADDED LUBRICATION ON BOM AND UPDATE DRAWING FORMAT AND NOTES	3/15/17	HRC
1	ALL	B	50253	UPDATE DWG TO CURRENT FORMAT & STANDARDS	5/15/2018	HRC



**O-RING,
(BUNA-N)**

3/16" TUBE ID

NOTES:

1. MATERIAL: ACETAL
2. COLOR: NATURAL WHITE
3. O-RING MATERIAL: BUNA-N
4. O-RINGS LUBRICATED WITH FOOD GRADE SILICONE OIL, 350 CST.

FOR REFERENCE ONLY

<small>UNLESS OTHERWISE SPECIFIED: DIMENSIONS ARE IN INCHES TOLERANCES: FRACTIONAL ± 1/32 ANGULAR: MACH ± 0.5 BEND ± 2 ONE PLACE DECIMAL ± 0.1 TWO PLACE DECIMAL ± 0.01 THREE PLACE DECIMAL ± 0.005 TWO PLACE DUAL (mm) [± 0.12]</small>	DRAWN	DHJ	04-28-11	
	CHECKED	HRC	3-13-17	
	ENG APPR.	HRC	3-15-17	
	MFG APPR.	BDB	3-15-17	
PROPRIETARY AND CONFIDENTIAL	Q.A.	JJB	3-15-17	PART NO: 20AC-PB2-03 DESCRIPTION: LinkTech 20AC Series Straight Male, Non-valved, 3/16" HB, Natural Acetal
<small>THE INFORMATION CONTAINED IN THIS DRAWING IS THE SOLE PROPERTY OF LINKTECH LLC. ANY REPRODUCTION OR DISCLOSURE IN PART OR AS A WHOLE WITHOUT THE WRITTEN PERMISSION OF LINKTECH LLC IS STRICTLY PROHIBITED.</small>	COMMENTS:			SIZE DWG. NO. REV C 20AC200151 B
	SCALE: NTS	WEIGHT:		SHEET 1 OF 1