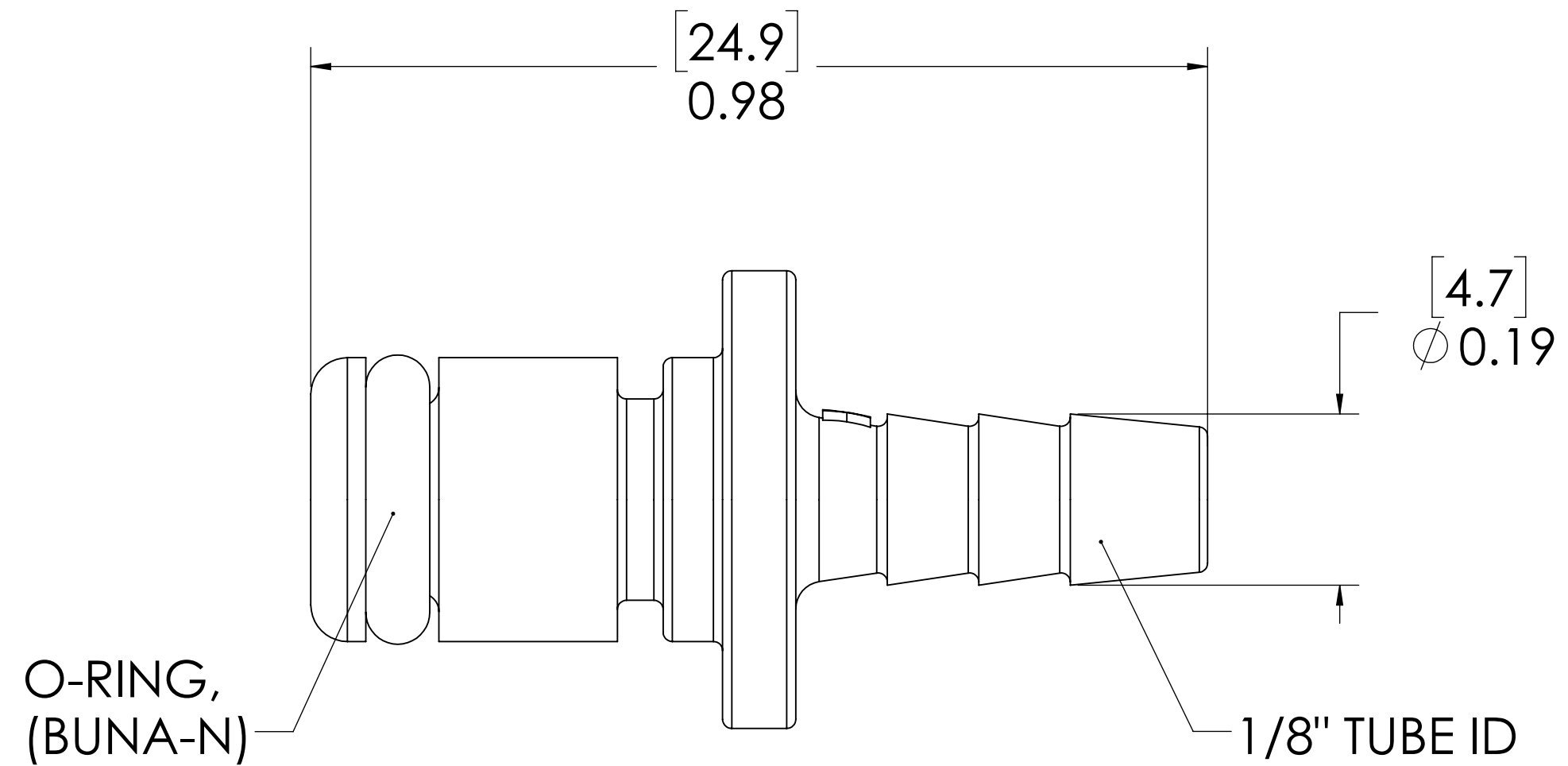
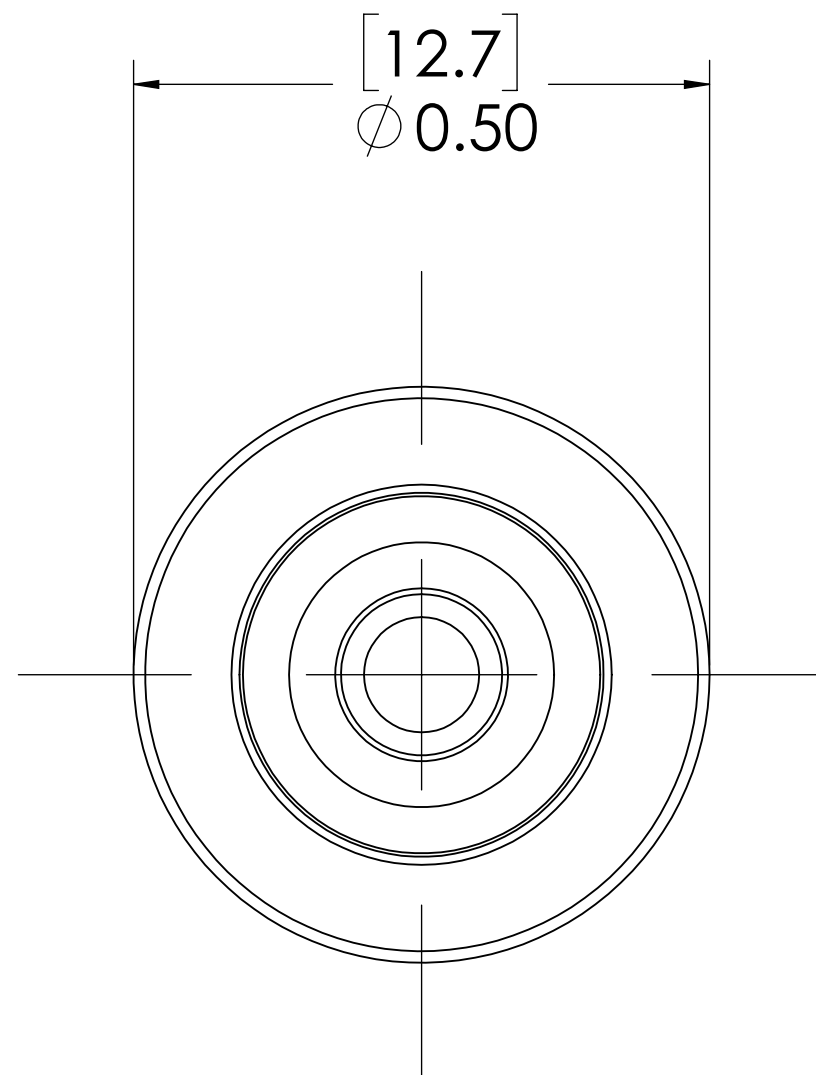
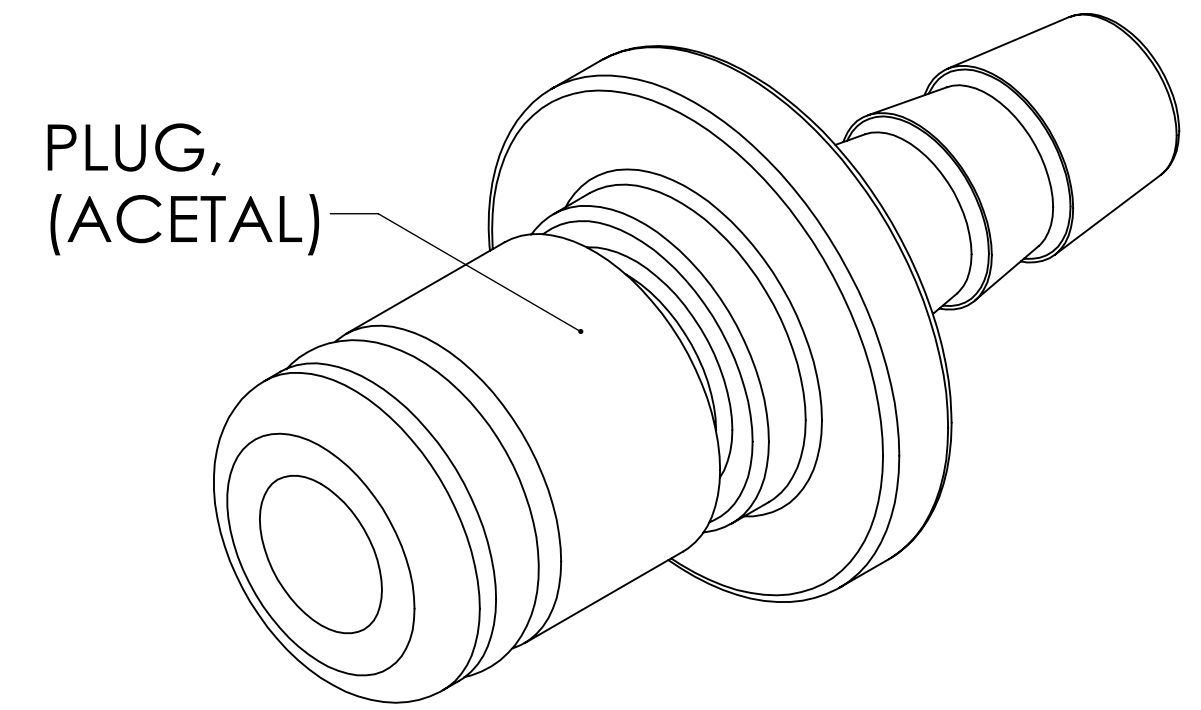


REVISIONS						
SHEET	ZONE	REV.	ECO	DESCRIPTION	DATE	APPROVED
1	ALL	NC	50221	INITIAL RELEASE	1/17/2017	HRC
1	ALL	A	50253	2017 FORMAT UPDATE	3/23/2018	HRC



NOTES:

1. MATERIAL: ACETAL
2. COLOR: NATURAL WHITE
3. O-RING MATERIAL: BUNA-N
4. O-RINGS LUBRICATED WITH FOOD GRADE SILICONE OIL, 350 CST.

FOR REFERENCE ONLY

<small>UNLESS OTHERWISE SPECIFIED: DIMENSIONS ARE IN INCHES TOLERANCES: FRACTIONAL ± 1/32 ANGULAR: MACH ± 0.5 BEND ± 2 ONE PLACE DECIMAL ± 0.1 TWO PLACE DECIMAL ± 0.01 THREE PLACE DECIMAL ± 0.005 TWO PLACE DUAL (mm) [± 0.12]</small>	DRAWN	HRC	1/19/2017	
	CHECKED	HRC	1/19/2017	
	ENG APPR.	HRC	03-23-18	
	MFG APPR.	BDB	03-23-18	
<small>PROPRIETARY AND CONFIDENTIAL THE INFORMATION CONTAINED IN THIS DRAWING IS THE SOLE PROPERTY OF LINKTECH LLC. ANY REPRODUCTION OR DISCLOSURE IN PART OR AS A WHOLE WITHOUT THE WRITTEN PERMISSION OF LINKTECH LLC IS STRICTLY PROHIBITED.</small>	PURCHASING	RK	03-23-18	PART NO: 20AC-PB2-02 DESCRIPTION: LinkTech 20AC Series Straight Male, Non-valved, 125 HB, Natural Acetal
<small>COMMENTS:</small>				SIZE DWG. NO. REV C 20AC200267 A
<small>SCALE: NTS WEIGHT:</small>			<small>SHEET 1 OF 1</small>	