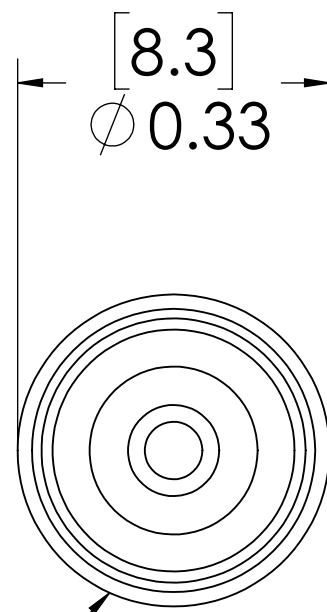
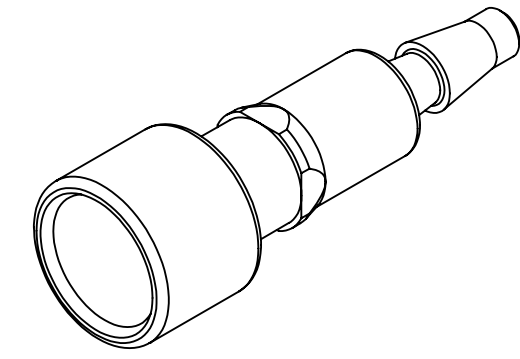
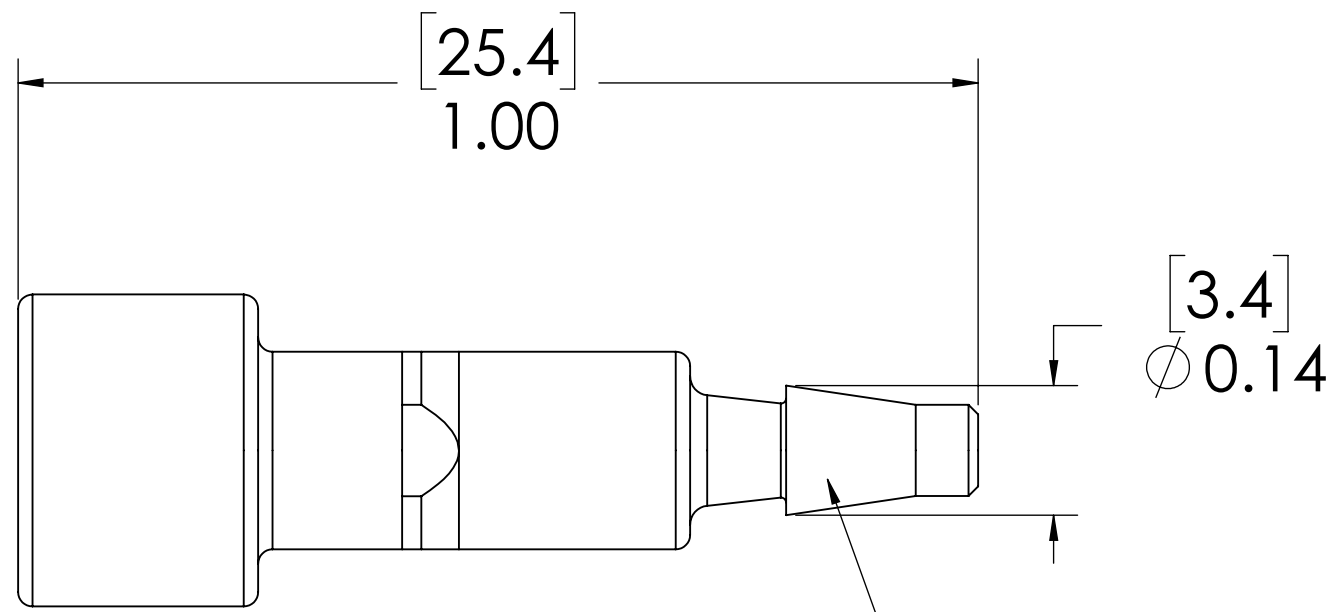


REVISIONS						
SHEET	ZONE	REV.	ECO	DESCRIPTION	DATE	APPROVED
ALL	ALL	A	50253	FORMAT UPDATE	3/29/2019	HRC



**SOCKET,
(POLYPROPYLENE)**



3MM TUBE ID

NOTES:

- MATERIAL: POLYPROPYLENE
- COLOR: ALMOND

FOR REFERENCE ONLY

<small>UNLESS OTHERWISE SPECIFIED: DIMENSIONS ARE IN INCHES TOLERANCES: FRACTIONAL ± 1/32 ANGULAR: MACH ± 0.5 BEND ± 2 ONE PLACE DECIMAL ± 0.1 TWO PLACE DECIMAL ± 0.01 THREE PLACE DECIMAL ± 0.005 TWO PLACE DUAL (mm) [± 0.12]</small>	DRAWN	RDA	3/18/2019							
	CHECKED	HRC	3/18/2019							
	ENG APPR.	HRC	3/29/2019							
	MFG APPR.	BDB	3/29/2019							
<small>PROPRIETARY AND CONFIDENTIAL THE INFORMATION CONTAINED IN THIS DRAWING IS THE SOLE PROPERTY OF LINKTECH LLC. ANY REPRODUCTION OR DISCLOSURE IN PART OR AS A WHOLE WITHOUT THE WRITTEN PERMISSION OF LINKTECH LLC IS STRICTLY PROHIBITED.</small>	Q.A.	BDB	3/29/2019	PART NO: 10PP-S2-M3NS DESCRIPTION: LinkTech 10PP Series Straight Female, Non-valved, 3mm HB, No Sleeve, Polypropylene						
<small>COMMENTS:</small>				<table border="1"> <tr> <td>SIZE</td> <td>DWG. NO.</td> <td>REV</td> </tr> <tr> <td>C</td> <td>10PP100042</td> <td>A</td> </tr> </table>	SIZE	DWG. NO.	REV	C	10PP100042	A
SIZE	DWG. NO.	REV								
C	10PP100042	A								
<small>SCALE: NTS WEIGHT:</small>			<small>SHEET 1 OF 1</small>							