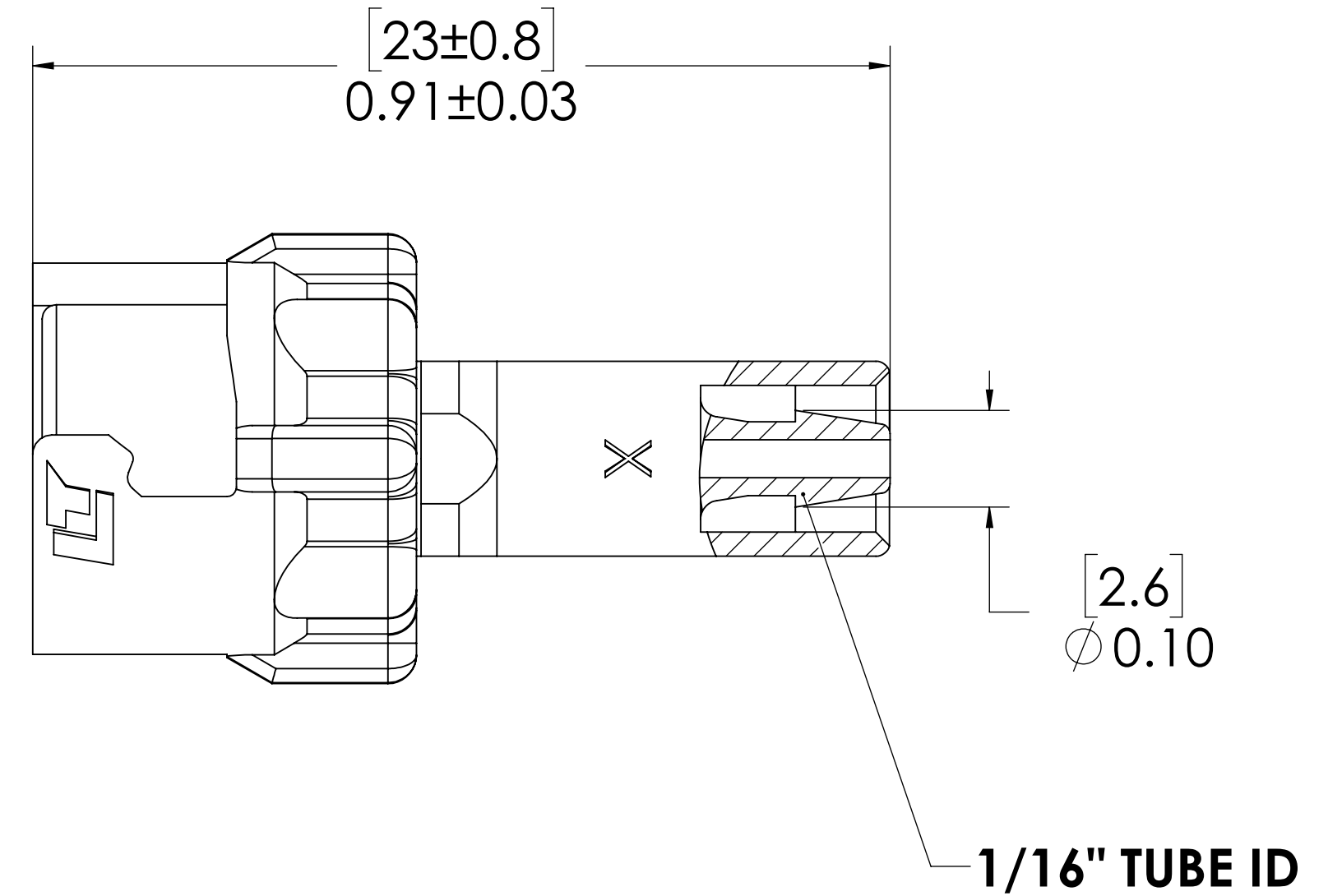
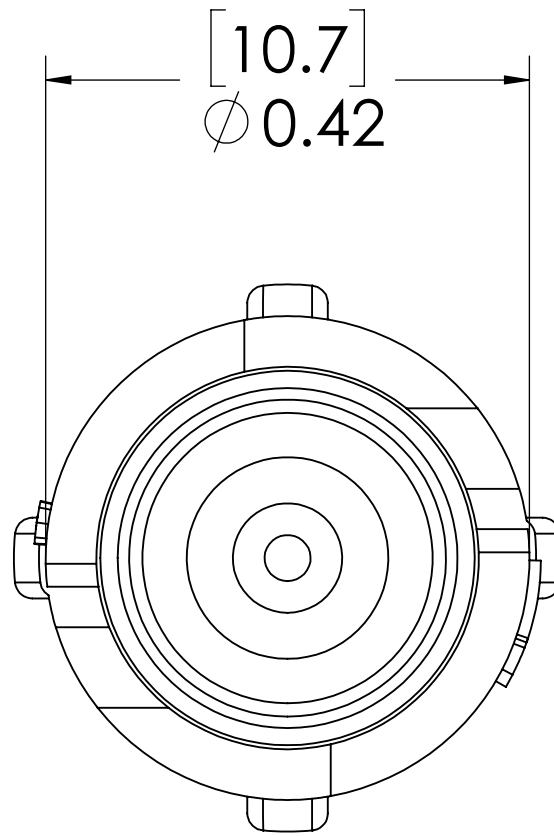
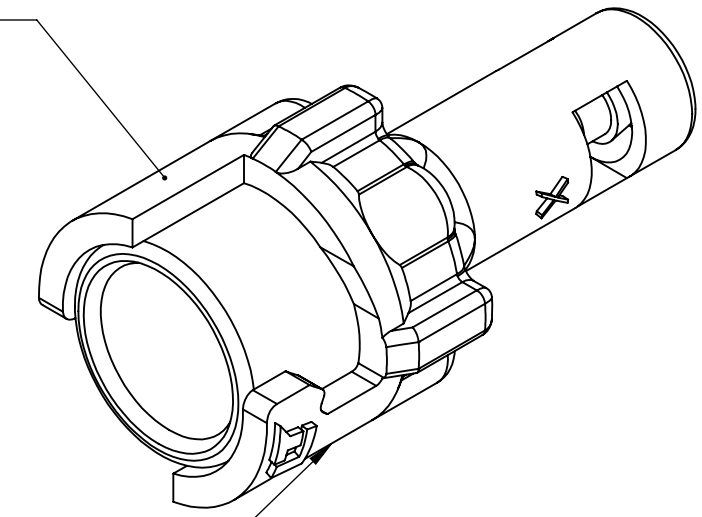


REVISIONS						
SHEET	ZONE	REV.	ECO	DESCRIPTION	DATE	APPROVED
ALL	ALL	A	50253	FORMAT UPDATE	3/29/2019	HRC

**SOCKET,  
(ACETAL)**


**LOCK SLEEVE,  
(ACETAL)**



**FOR REFERENCE ONLY**

**NOTES:**

1. MATERIAL: POLYPROPYLENE
2. COLOR: ALMOND, BARREL ACETAL.

<small>UNLESS OTHERWISE SPECIFIED: DIMENSIONS ARE IN INCHES TOLERANCES: FRACTIONAL ± 1/32 ANGULAR: MACH ± 0.5 BEND ± 2 ONE PLACE DECIMAL ± 0.1 TWO PLACE DECIMAL ± 0.01 THREE PLACE DECIMAL ± 0.005 TWO PLACE DECIMAL (mm) [± 0.12]</small>	DRAWN	RDA	3/15/2019	 PART NO: 10PP-S2-01 DESCRIPTION: LinkTech 10PP Series Straight Female, Non-valved, 116 HB, Polypropylene
	CHECKED	HRC	3/15/2019	
	ENG APPR.	HRC	3/29/2019	
	MFG APPR.	BDB	3/29/2019	
<small>PROPRIETARY AND CONFIDENTIAL</small>	Q.A.	BDB	3/29/2019	SIZE DWG. NO. REV C 10PP100020 A
<small>THE INFORMATION CONTAINED IN THIS DRAWING IS THE SOLE PROPERTY OF LINKTECH LLC. ANY REPRODUCTION OR DISCLOSURE IN PART OR AS A WHOLE WITHOUT THE WRITTEN PERMISSION OF LINKTECH LLC IS STRICTLY PROHIBITED.</small>	COMMENTS:			SCALE: NTS WEIGHT: SHEET 1 OF 1