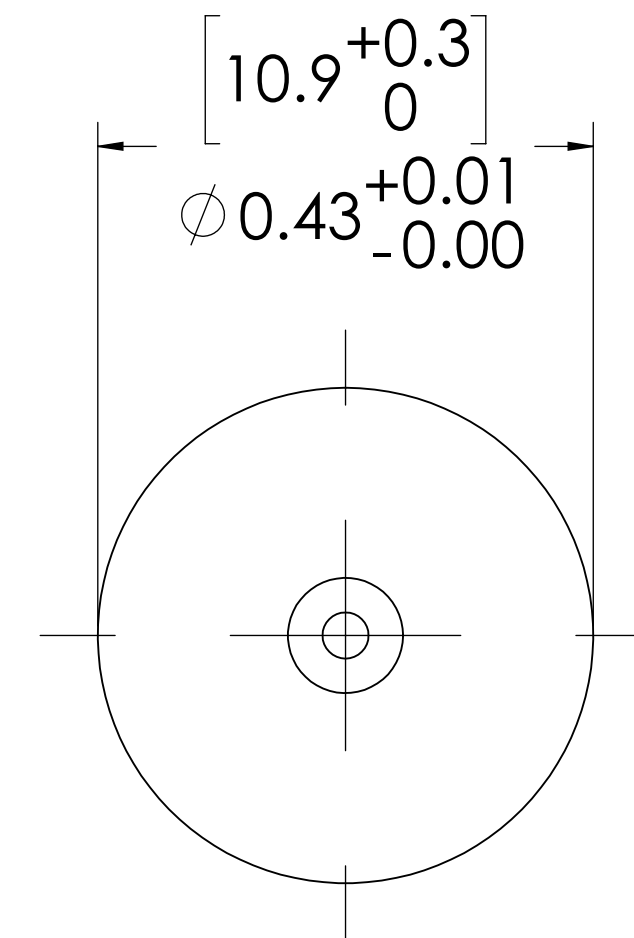
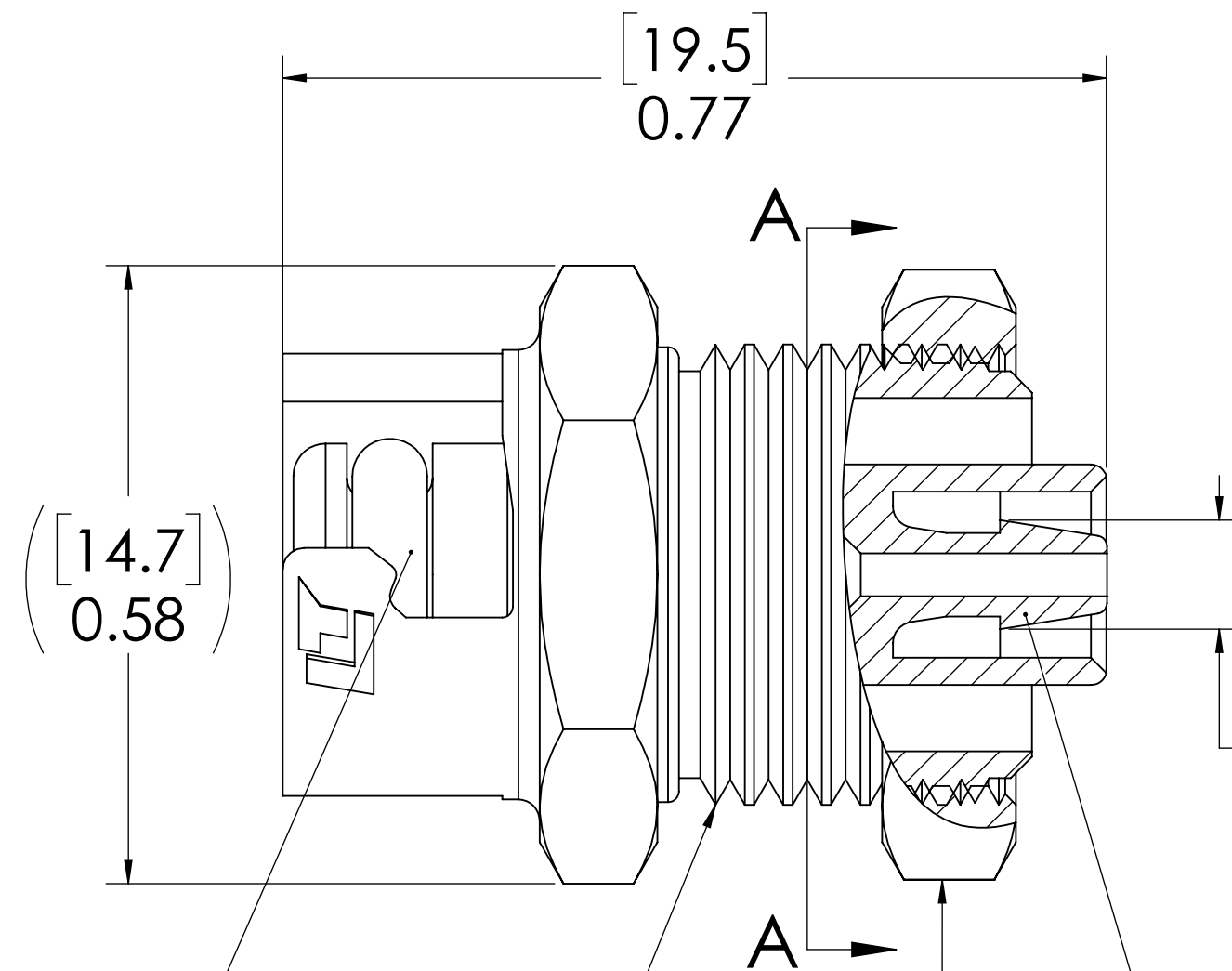
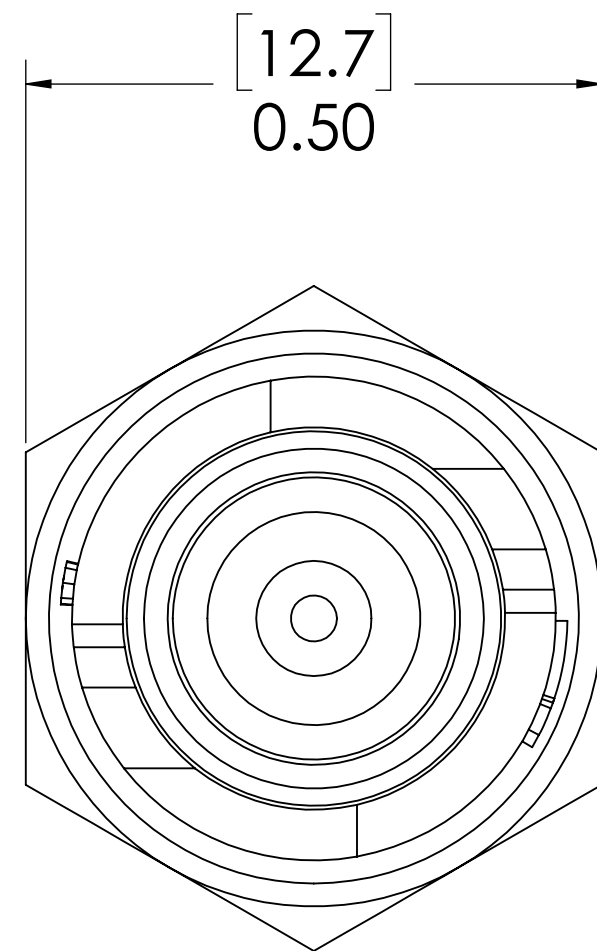
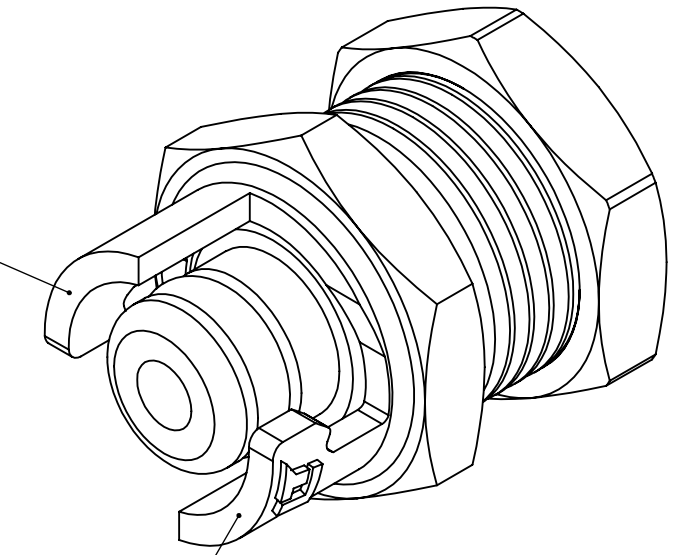


REVISIONS						
SHEET	ZONE	REV.	ECO	DESCRIPTION	DATE	APPROVED
ALL	ALL	A	50253	INITIAL RELEASE	3/29/2019	HRC

**PLUG,
(ACETAL)**

**LOCK SLEEVE,
(ACETAL)**



**O-RING,
(EPDM)**

7/16"-24 THREAD

**PANEL NUT
(BRASS, NICKEL PLATED)
(ASSEMBLED)**

1/16" TUBE ID

**PANEL OPENING
SECTION A-A**

NOTES:

- MATERIAL: ACETAL
- COLOR: NATURAL WHITE
- O-RING MATERIAL: BUNA-N
- O-RINGS LUBRICATED WITH FOOD GRADE SILICONE OIL, 350 CST.

FOR REFERENCE ONLY

<small>UNLESS OTHERWISE SPECIFIED: DIMENSIONS ARE IN INCHES TOLERANCES: FRACTIONAL ± 1/32 ANGULAR: MACH ± 0.5 BEND ± 2 ONE PLACE DECIMAL ± 0.1 TWO PLACE DECIMAL ± 0.01 THREE PLACE DECIMAL ± 0.005 TWO PLACE DUAL (mm) [± 0.12]</small>	DRAWN	RDA	3/15/2019	
	CHECKED	HRC	3/15/2019	
	ENG APPR.	HRC	3/29/2019	
	MFG APPR.	BDB	3/29/2019	
<small>PROPRIETARY AND CONFIDENTIAL THE INFORMATION CONTAINED IN THIS DRAWING IS THE SOLE PROPERTY OF LINKTECH LLC. ANY REPRODUCTION OR DISCLOSURE IN PART OR AS A WHOLE WITHOUT THE WRITTEN PERMISSION OF LINKTECH LLC IS STRICTLY PROHIBITED.</small>	Q.A.	BDB	3/29/2019	PART NO: 10PP-PE3-01 DESCRIPTION: LinkTech 10PP Series Panel Mt. Male, Non-valved, 116 HB, Polypropylene
SIZE DWG. NO. REV C 10PP100028 A		SCALE: NTS WEIGHT: SHEET 1 OF 1		