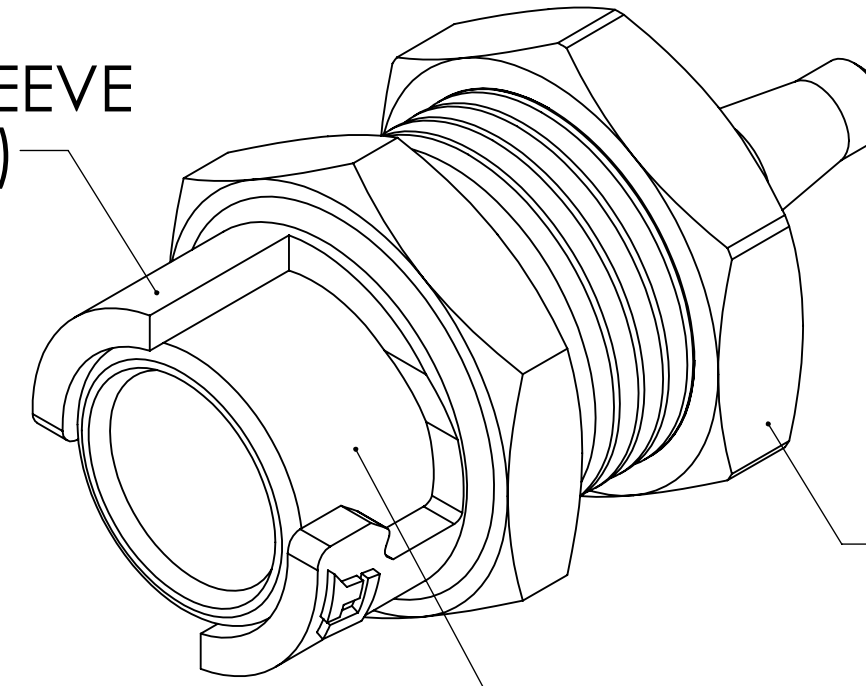


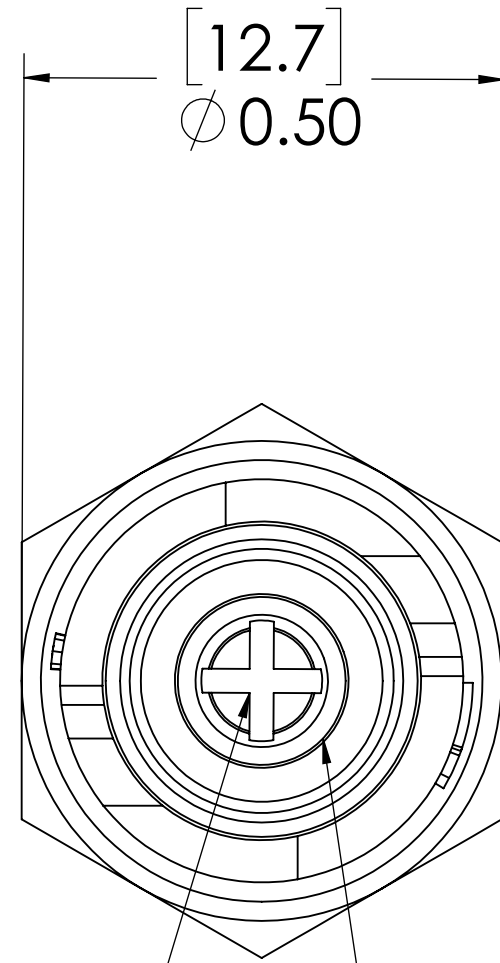
REVISIONS				DATE	APPROVED
SHEET	ZONE	REV.	ECO	DESCRIPTION	
1	ALL	A	50307	INITIAL RELEASE	HRC

LOCK SLEEVE  
(ACETAL)



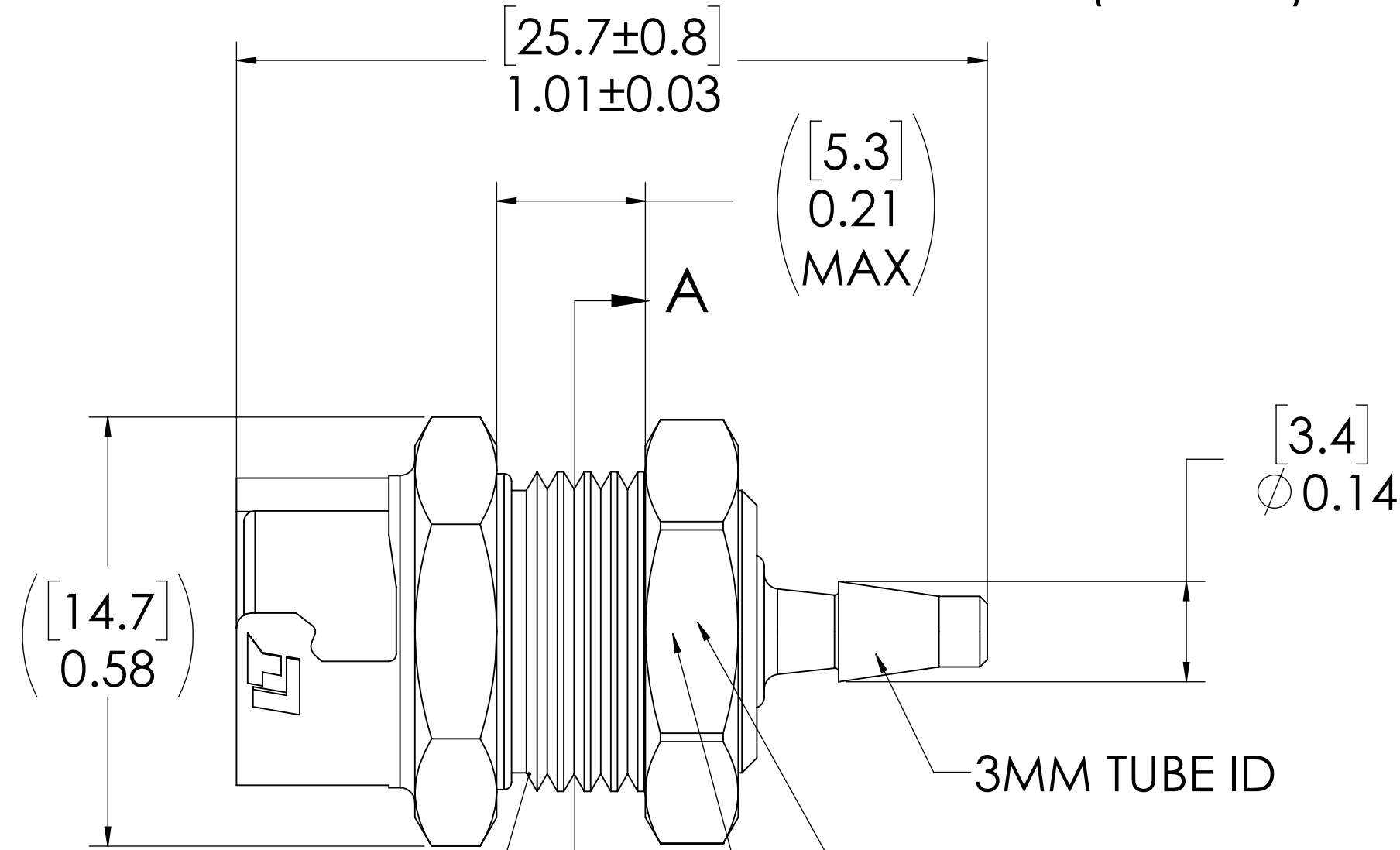
PANEL NUT  
(BRASS, NICKEL PLATED)  
(PACKAGED SEPARATELY)

SOCKET  
(ACETAL)



VALVE  
(ACETAL)

VALVE CAP  
INTERNAL  
(STAINLESS STEEL)

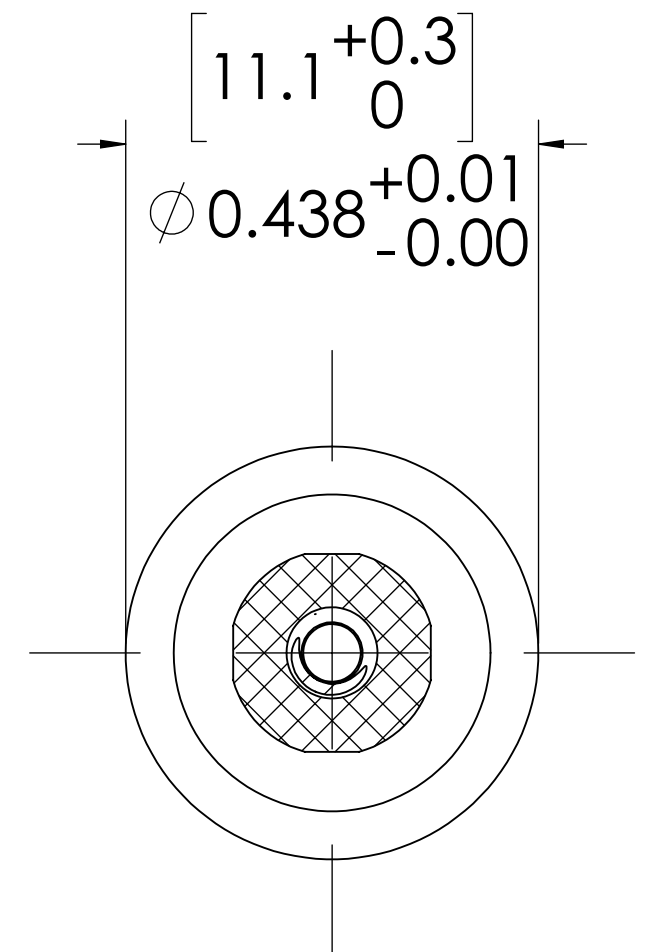


7/16"-24 THREAD

VALVE SPRING  
INTERNAL  
(STAINLESS STEEL)

VALVE O-RING  
INTERNAL  
(BUNA-N)

3MM TUBE ID



PANEL OPENING  
(SECTION A-A)

**NOTES:**

- MATERIAL: ACETAL
- COLOR: BLACK
- O-RING MATERIAL: BUNA-N
- O-RINGS LUBRICATED WITH FOOD GRADE SILICONE OIL, 350 CST.

**FOR REFERENCE ONLY**

UNLESS OTHERWISE SPECIFIED:		NAME	DATE	
DIMENSIONS ARE IN INCHES TOLERANCES: FRACTIONAL ± 1/32 ANGULAR: MACH ± 0.5 BEND ± 2 ONE PLACE DECIMAL ± 0.1 TWO PLACE DECIMAL ± 0.01 THREE PLACE DECIMAL ± 0.005 TWO PLACE DUAL (mm) [± 0.12]		DRAWN	RDA 10/14/2019	
PROPRIETARY AND CONFIDENTIAL		CHECKED	HRC 10/14/19	
THE INFORMATION CONTAINED IN THIS DRAWING IS THE SOLE PROPERTY OF LINKTECH LLC. ANY REPRODUCTION OR DISCLOSURE IN PART OR AS A WHOLE WITHOUT THE WRITTEN PERMISSION OF LINKTECH LLC IS STRICTLY PROHIBITED.		ENG APPR.	HRC 1/10/20	
		MFG APPR.	BDB 1/10/20	
		PRODUCTION	LS 1/10/20	DESCRIPTION: LinkTech 10AC Series Panel Mt. Female, Valved, 3mm HB
		COMMENTS:		SIZE DWG. NO. REV <b>C 10AC100108 A</b>
				SCALE: NTS WEIGHT: SHEET 1 OF 1