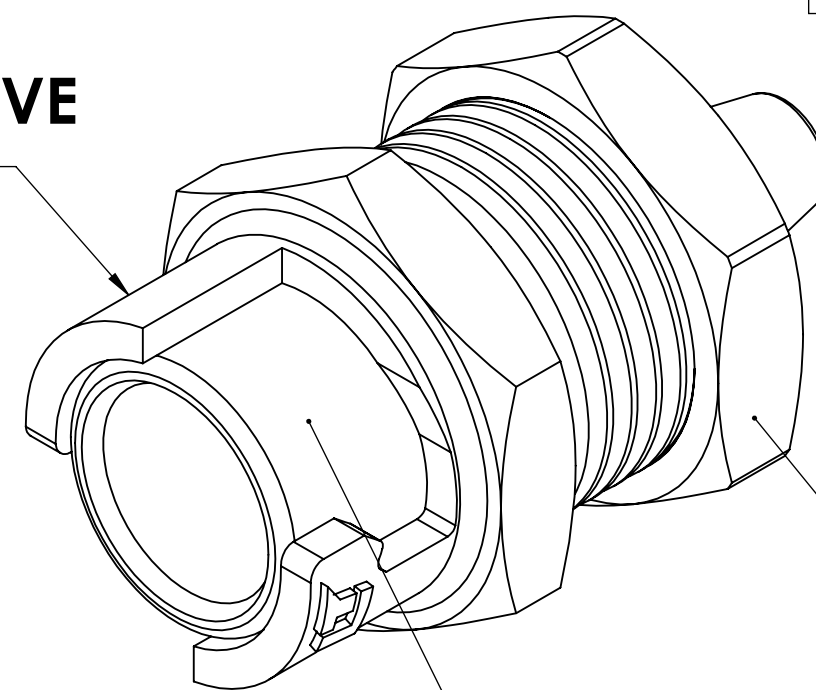


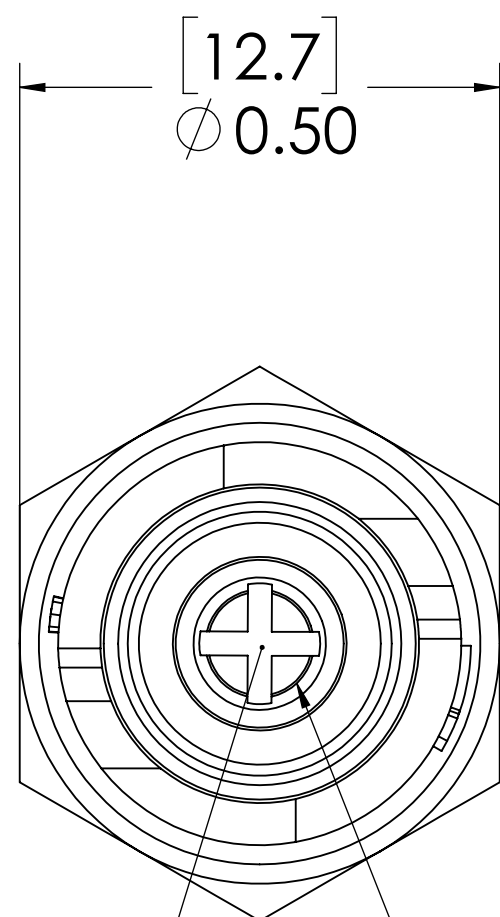
REVISIONS						
SHEET	ZONE	REV.	ECO	DESCRIPTION	DATE	APPROVED
1	ALL	NC	50047	INITIAL RELEASE	6/11/2013	HRC
1	ALL	A	50253	UPDATE DWG TO CURRENT FORMAT & STANDARDS	5/7/2018	HRC

**LOCK SLEEVE
(ACETAL)**



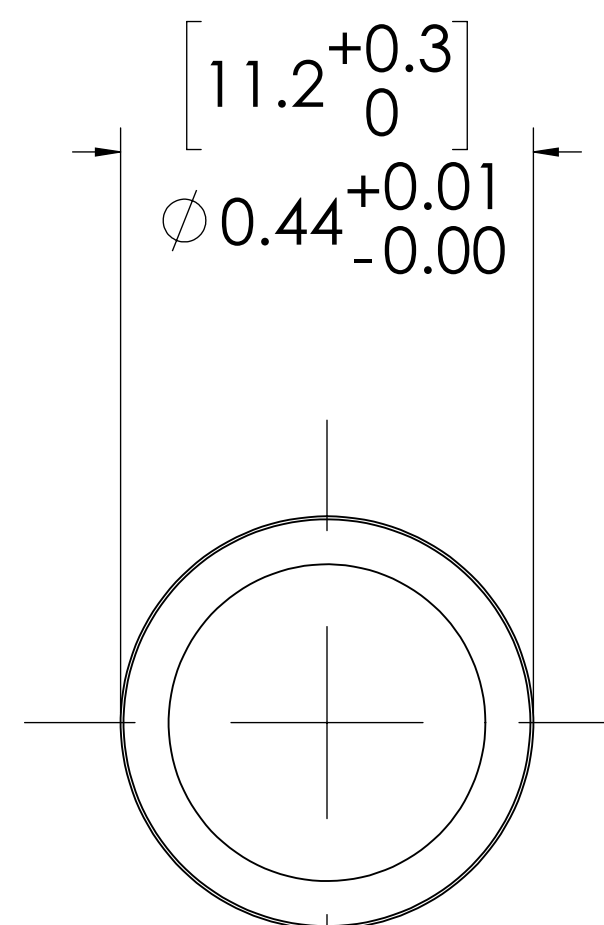
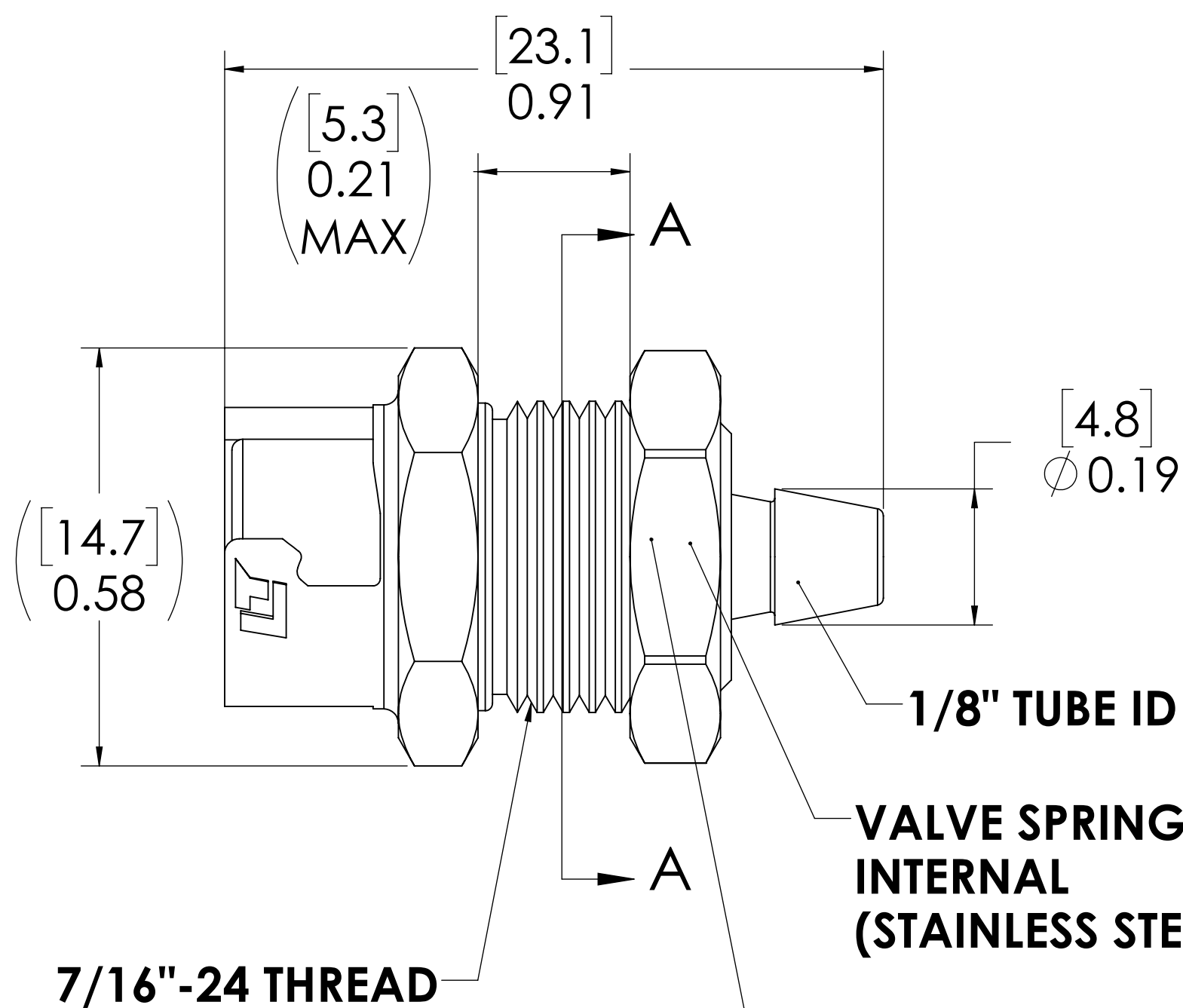
**PANEL NUT
(BRASS, NICKEL PLATED)
(PACKAGED SEPARATELY)**

**SOCKET
(ACETAL)**



**VALVE
(ACETAL)**

**VALVE CAP
INTERNAL
(STAINLESS STEEL)**



**PANEL OPENING
(SECTION A-A)**

NOTES:

- MATERIAL: ACETAL
- COLOR: NATURAL WHITE
- O-RING MATERIAL: BUNA-N
- O-RINGS LUBRICATED WITH FOOD GRADE SILICONE OIL, 350 CST.

FOR REFERENCE ONLY

UNLESS OTHERWISE SPECIFIED: DIMENSIONS ARE IN INCHES TOLERANCES: FRACTIONAL $\pm 1/32$ ANGULAR: MACH ± 0.5 BEND ± 2 ONE PLACE DECIMAL ± 0.1 TWO PLACE DECIMAL ± 0.01 THREE PLACE DECIMAL ± 0.005 TWO PLACE DUAL (mm) $[\pm 0.12]$	DRAWN	LMP	5/2/2018	 PART NO: 10ACV-SB3-02 DESCRIPTION: LinkTech 10AC Series Panel Mt. Female, Valved, 1/8" HB						
	CHECKED	HRC	7/23/12							
	ENG APPR.	HRC	5/7/18							
	MFG APPR.	BDB	5/7/18							
PRODUCTION	RK	5/7/18		<table border="1"> <tr> <td>SIZE</td> <td>DWG. NO.</td> <td>REV</td> </tr> <tr> <td>C</td> <td>10AC100043</td> <td>A</td> </tr> </table>	SIZE	DWG. NO.	REV	C	10AC100043	A
SIZE	DWG. NO.	REV								
C	10AC100043	A								
PROPRIETARY AND CONFIDENTIAL THE INFORMATION CONTAINED IN THIS DRAWING IS THE SOLE PROPERTY OF LINKTECH LLC. ANY REPRODUCTION OR DISCLOSURE IN PART OR AS A WHOLE WITHOUT THE WRITTEN PERMISSION OF LINKTECH LLC IS STRICTLY PROHIBITED.	COMMENTS:			<table border="1"> <tr> <td>SCALE: NTS</td> <td>WEIGHT:</td> <td>SHEET 1 OF 1</td> </tr> </table>	SCALE: NTS	WEIGHT:	SHEET 1 OF 1			
SCALE: NTS	WEIGHT:	SHEET 1 OF 1								