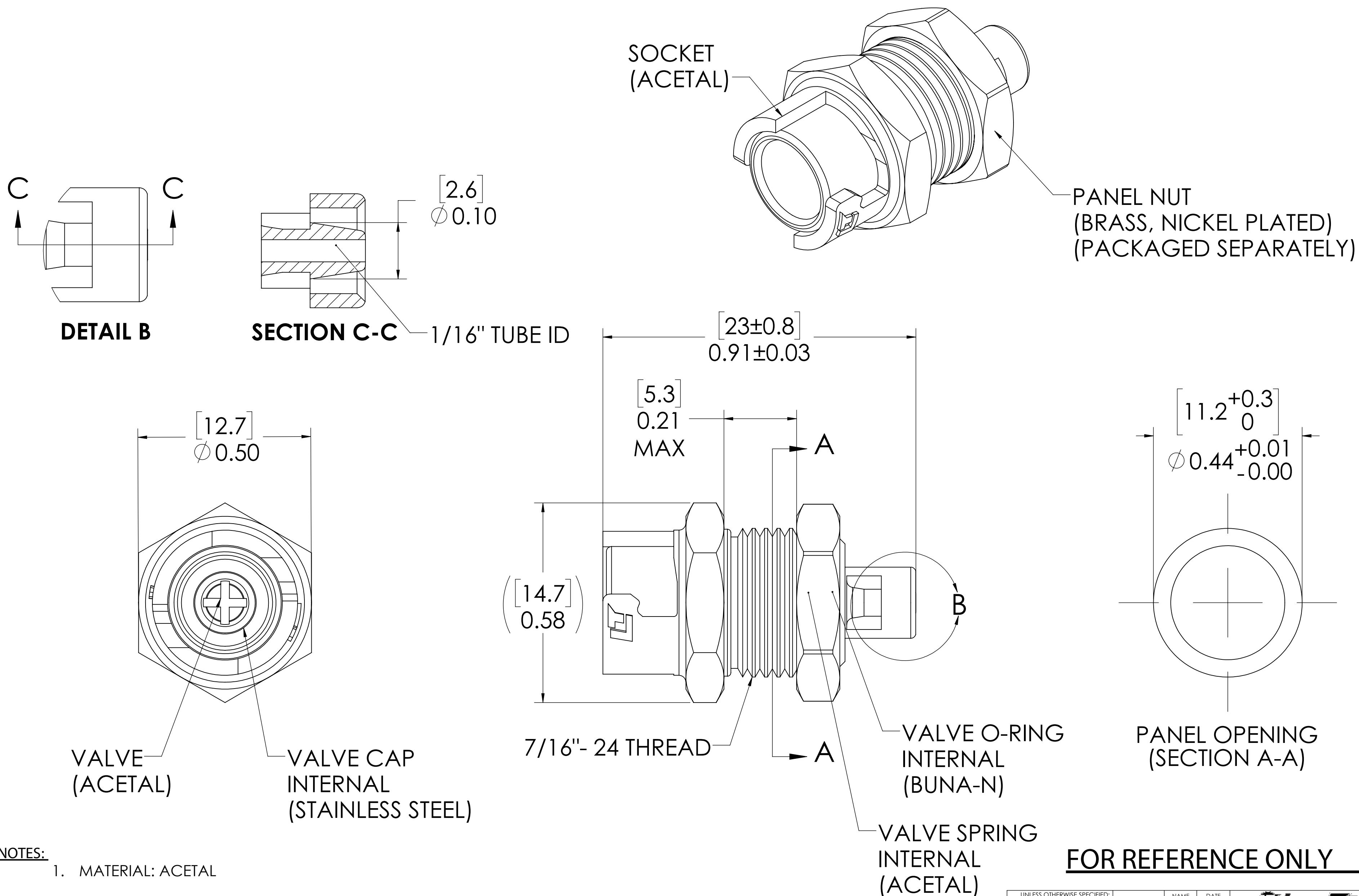


REVISIONS						
SHEET	ZONE	REV.	ECO	DESCRIPTION	DATE	APPROVED
1	ALL	NC	50047	INITIAL RELEASE	6/11/2013	HRC
1	ALL	A	50253	UPDATE DWG TO CURRENT FORMAT & STANDARDS	5/7/2018	HRC



NOTES:

1. MATERIAL: ACETAL
2. COLOR: NATURAL
3. O-RING MATERIAL: BUNA-N
4. O-RINGS LUBRICATED WITH FOOD GRADE SILICONE OIL, 350 CST.

FOR REFERENCE ONLY

UNLESS OTHERWISE SPECIFIED: DIMENSIONS ARE IN INCHES TOLERANCES: FRACTIONAL ± 1/32 ANGULAR: MACH ± 0.5 BEND ± 2 ONE PLACE DECIMAL ± 0.1 TWO PLACE DECIMAL ± 0.01 THREE PLACE DECIMAL ± 0.005 TWO PLACE DUAL (mm) [±0.12]	DRAWN	HRC	7/23/12	
	CHECKED	HRC	7/23/12	
	ENG APPR.	HRC	5/7/18	
	MFG APPR.	BDB	5/7/18	
PRODUCTION	RK	5/7/18		PART NO: 10ACV-SB3-01 DESCRIPTION: LinkTech 10AC Series Panel Mt. Female, Valved, 1/16" HB
<small>THE INFORMATION CONTAINED IN THIS DRAWING IS THE SOLE PROPERTY OF LINKTECH LLC. ANY REPRODUCTION OR DISCLOSURE IN PART OR AS A WHOLE WITHOUT THE WRITTEN PERMISSION OF LINKTECH LLC IS STRICTLY PROHIBITED.</small>	PRODUCTION	RK	5/7/18	SIZE DWG. NO. REV C 10AC100042 B
	COMMENTS:			SCALE: NTS WEIGHT: SHEET 1 OF 1