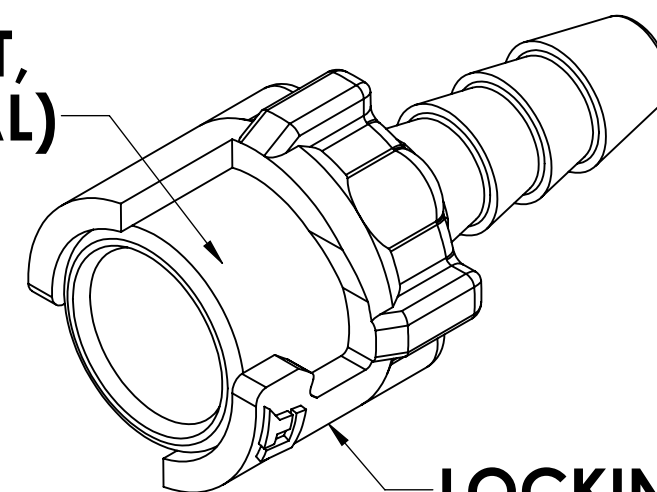
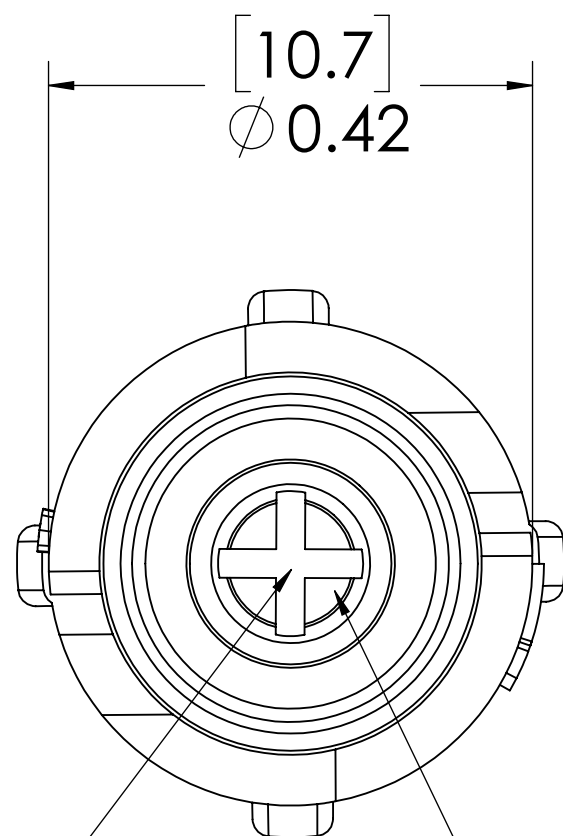


REVISIONS						
SHEET	ZONE	REV.	ECO	DESCRIPTION	DATE	APPROVED
1	ALL	A	UPDATED BARREL DESIGN	8/23/2012	HRC
1	ALL	A	50047	INITIAL RELEASE	6/11/2013	HRC
1	ALL	B	50253	UPDATE DRAWING FORMAT	3/8/2018	HRC

**SOCKET,
(ACETAL)**

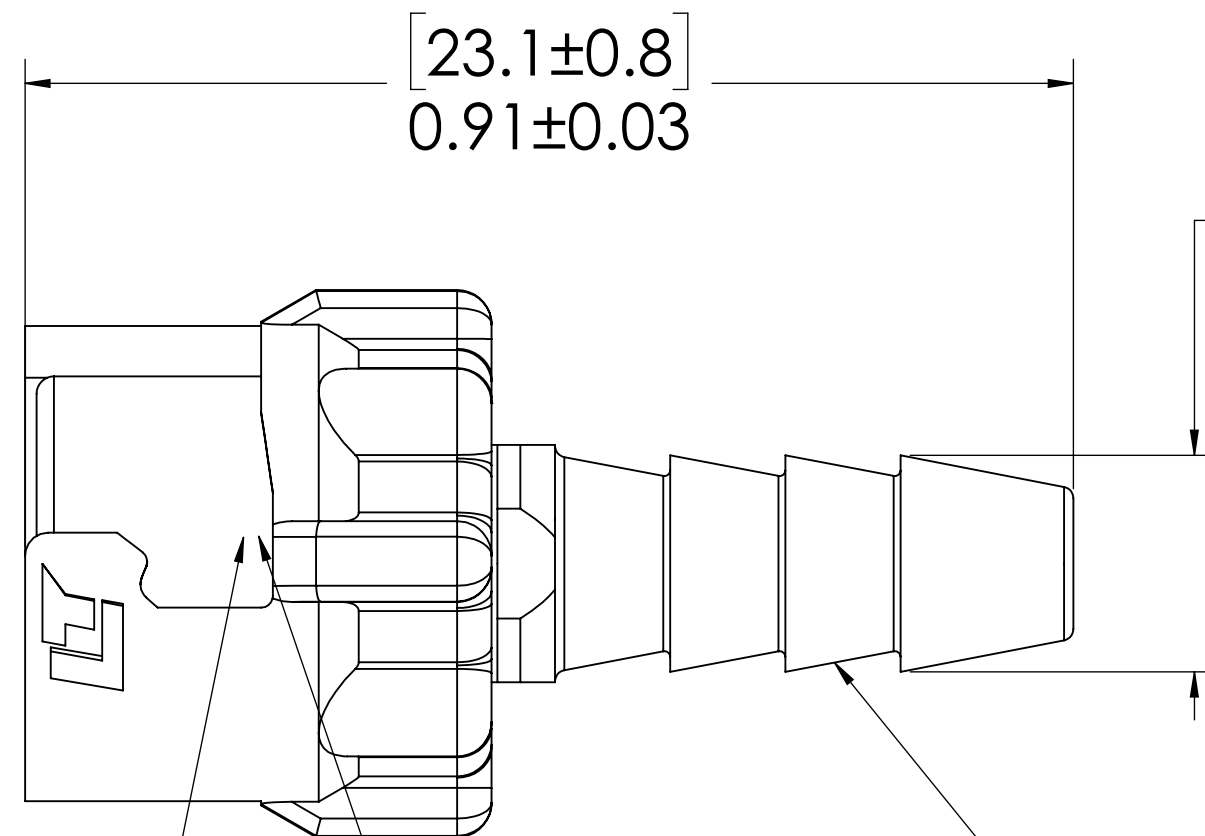


**LOCKING SLEEVE
(ACETAL)**



**VALVE
INTERNAL,
(ACETAL)**

**VALVE RETAINER
(STAINLESS STEEL)**



**VALVE O-RING
INTERNAL,
(BUNA-N)**

**VALVE SPRING,
INTERNAL
(STAINLESS STEEL)**

1/8" TUBE ID

NOTES:

- MATERIAL: ACETAL
- COLOR: NATURAL WHITE
- O-RING MATERIAL: BUNA-N
- O-RINGS LUBRICATED WITH FOOD GRADE SILICONE OIL, 350 CST.

FOR REFERENCE ONLY

<small>UNLESS OTHERWISE SPECIFIED: DIMENSIONS ARE IN INCHES TOLERANCES: FRACTIONAL $\pm 1/32$ ANGULAR: MACH ± 0.5 BEND ± 2 ONE PLACE DECIMAL ± 0.1 TWO PLACE DECIMAL ± 0.01 THREE PLACE DECIMAL ± 0.005 TWO PLACE DUAL (mm) $[\pm 0.12]$</small>	DRAWN	RDA	7/26/2017	
	CHECKED	HRC	7/26/2017	
	ENG APPR.	HRC	03-08-18	
	MFG APPR.	BDB	03-08-18	
<small>PROPRIETARY AND CONFIDENTIAL THE INFORMATION CONTAINED IN THIS DRAWING IS THE SOLE PROPERTY OF LINKTECH LLC. ANY REPRODUCTION OR DISCLOSURE IN PART OR AS A WHOLE WITHOUT THE WRITTEN PERMISSION OF LINKTECH LLC IS STRICTLY PROHIBITED.</small>	PURCHASING	RK	03-08-18	PART NO: 10ACV-SB2-02 DESCRIPTION: LinkTech 10AC Series Straight Female, Valved, 125 HB Natural Acetal
<small>SCALE: NTS WEIGHT:</small>		<small>SHEET 1 OF 1</small>		SIZE DWG. NO. REV C 10AC100041 B