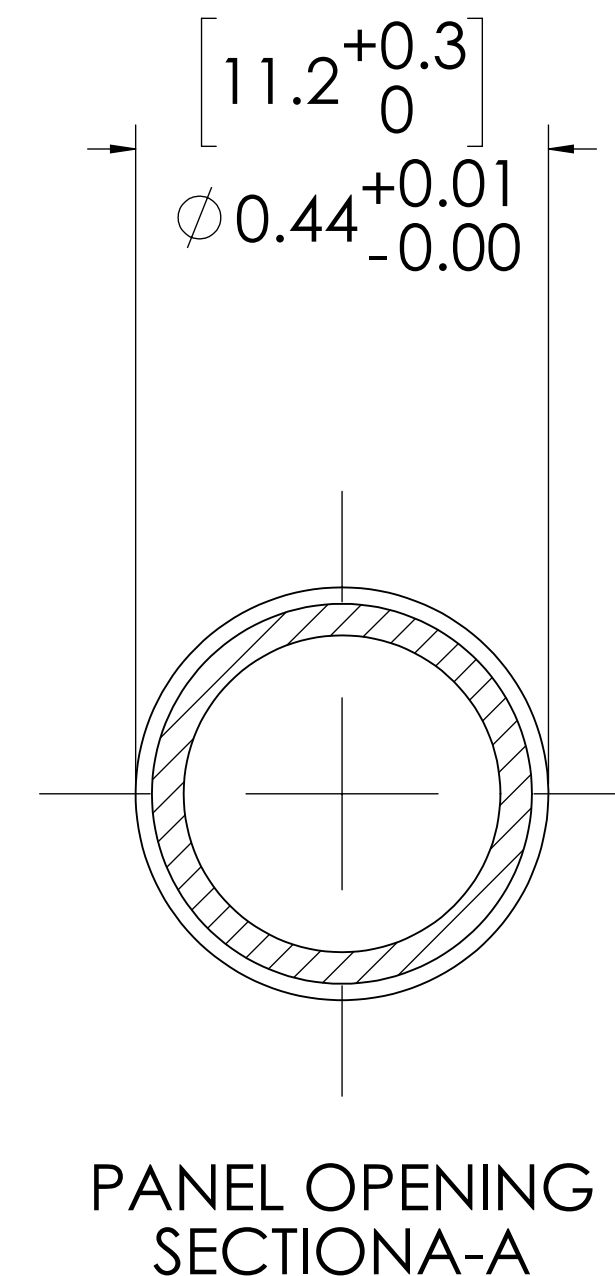
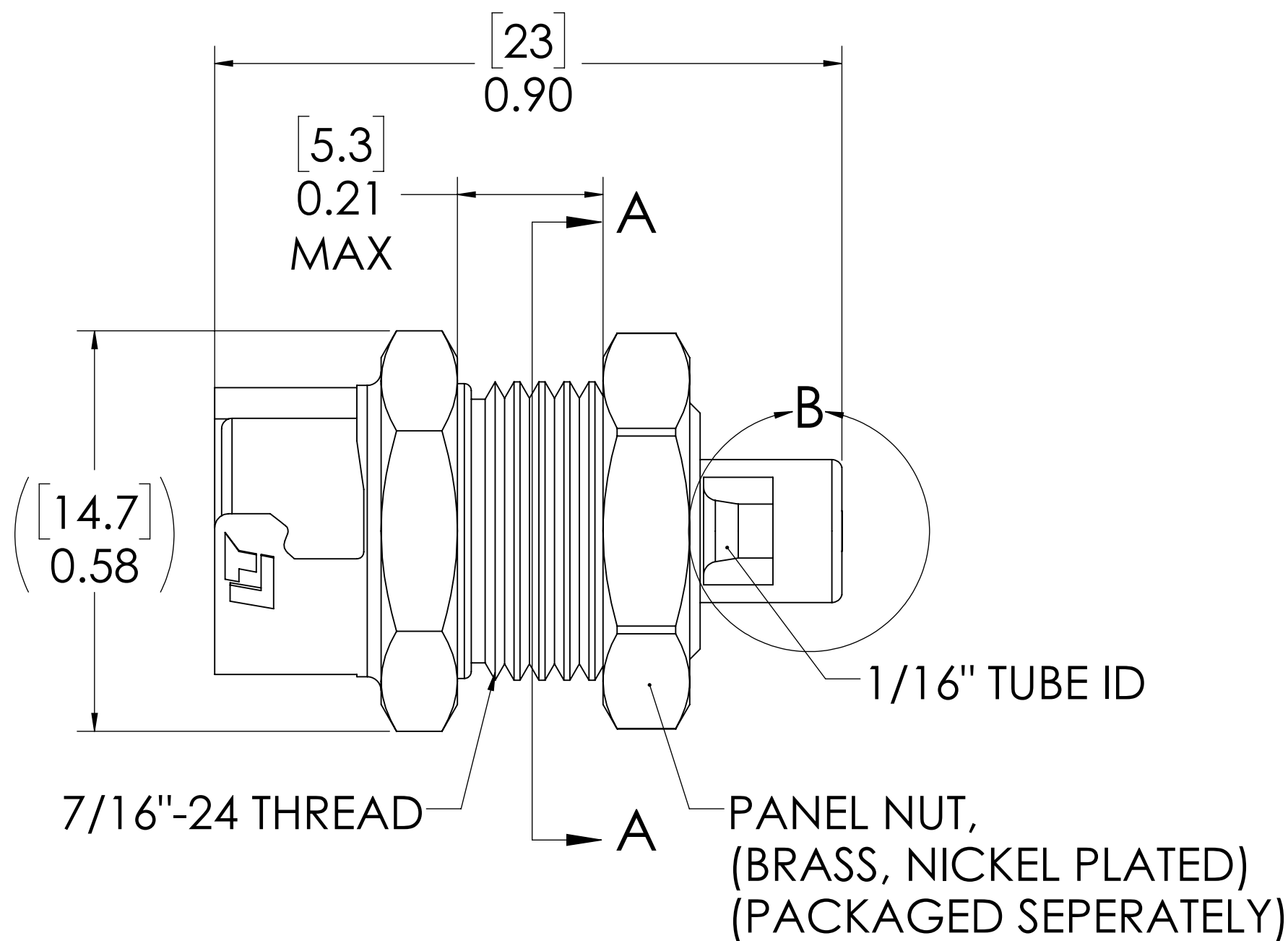
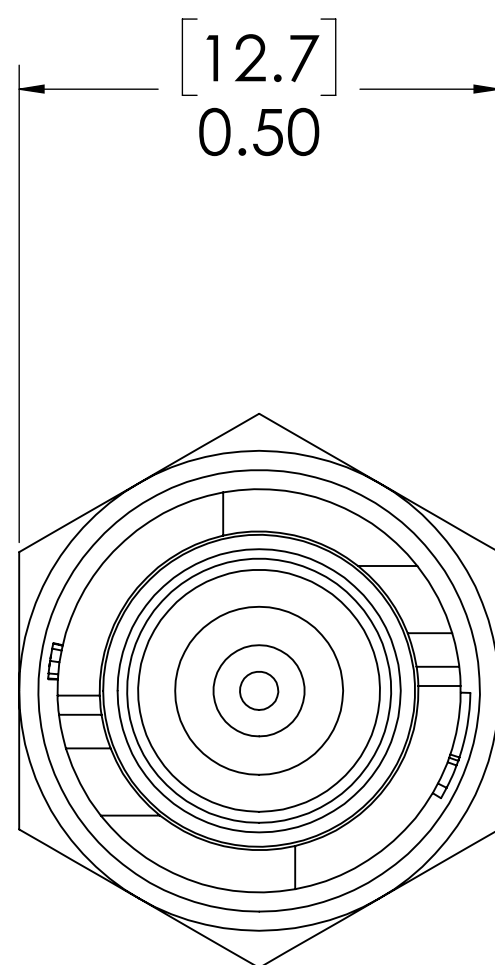
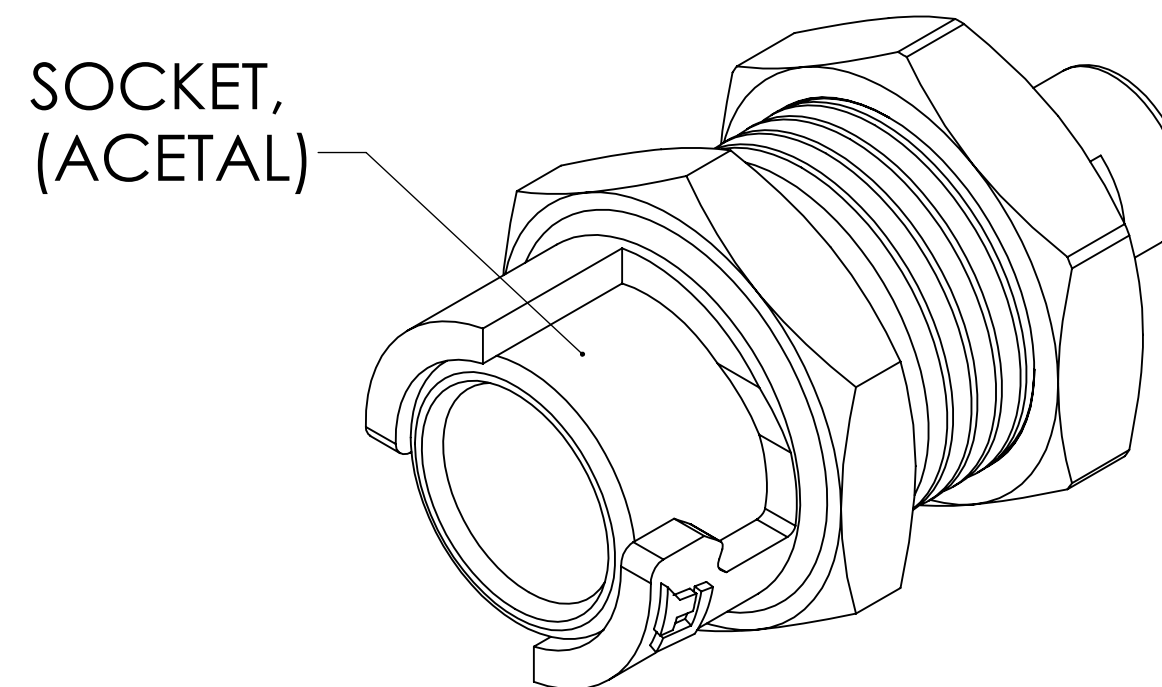
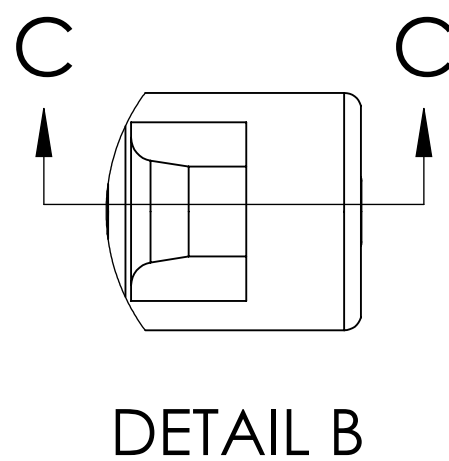
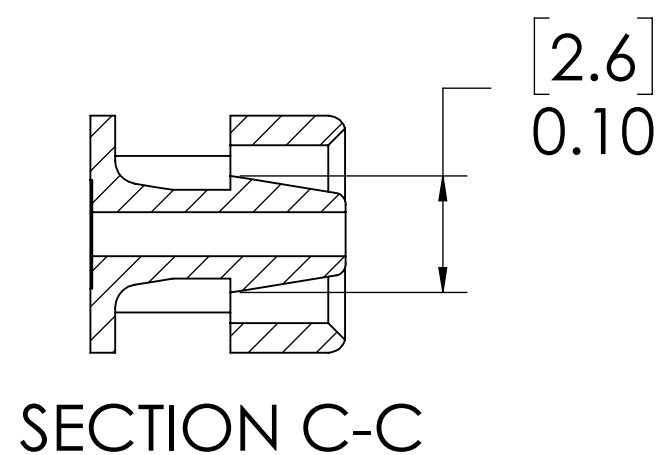


REVISIONS						
SHEET	ZONE	REV.	ECO	DESCRIPTION	DATE	APPROVED
1	C-7	A	...	REPLACED C11272 WITH C11285	8/23/2012	HRC
1	ALL	A	50047	INITIAL RELEASE	6/11/2013	HRC
1	ALL	B	50253	2017 FORMAT UPDATE	3/28/2018	HRC



FOR REFERENCE ONLY

NOTES:

- MATERIAL: ACETAL
- COLOR: NATURAL

<small>UNLESS OTHERWISE SPECIFIED: DIMENSIONS ARE IN INCHES TOLERANCES: FRACTIONAL ± 1/32 ANGULAR: MACH ± 0.5 BEND ± 2 ONE PLACE DECIMAL ± 0.1 TWO PLACE DECIMAL ± 0.01 THREE PLACE DECIMAL ± 0.005 TWO PLACE DUAL (mm) [± 0.12]</small>	DRAWN	HRC	5/25/12							
	CHECKED	HRC	5/25/12							
	ENG APPR.	HRC	03-28-18							
	MFG APPR.	BDB	03-28-18							
<small>PROPRIETARY AND CONFIDENTIAL THE INFORMATION CONTAINED IN THIS DRAWING IS THE SOLE PROPERTY OF LINKTECH LLC. ANY REPRODUCTION OR DISCLOSURE IN PART OR AS A WHOLE WITHOUT THE WRITTEN PERMISSION OF LINKTECH LLC IS STRICTLY PROHIBITED.</small>	Q.A.	JJB	03-28-18	PART NO: 10AC-S3-01 DESCRIPTION: LinkTech 10AC Series Panel Mt. Female, Non-valved, 1/16" HB, Natural Acetal <table border="1"> <tr> <td>SIZE</td> <td>DWG. NO.</td> <td>REV</td> </tr> <tr> <td>C</td> <td>10AC100035</td> <td>B</td> </tr> </table>	SIZE	DWG. NO.	REV	C	10AC100035	B
SIZE	DWG. NO.	REV								
C	10AC100035	B								
<small>SCALE: NTS WEIGHT: SHEET 1 OF 1</small>										